

CROWN

C-G^x

NXP Model

2.0–3.5 t Capacity

IC Pneumatic Tyre



Productivity Through Performance

Crown's C-G^x Series offers powerful performance that stands out in many applications — large and small. Designed for durability and reliability, this series of LPG-powered internal combustion forklifts provides outstanding productivity by inspiring operator confidence.

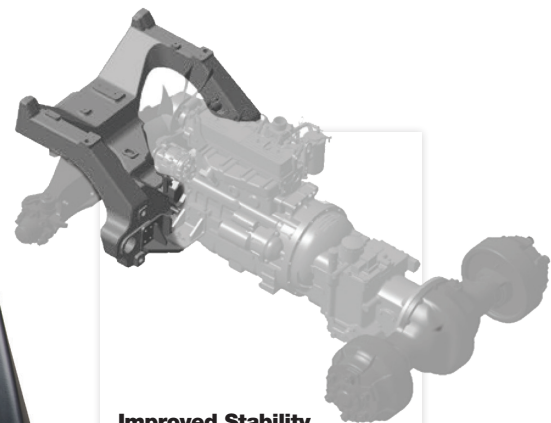


Comfort With Confidence

Crown's forklifts are designed with safety and operator comfort top of mind and the C-G^x Series is no exception. From the structure of the auxiliary weight and thoughtfully arranged tilt cylinders to the large entry handles and extended pedal clearance, each feature of the C-G^x is strategically built to help operators maintain productivity by enhancing ergonomics and safety.

Convenient and Comfortable for Operators

- Large handle
- Folding armrest
- Generous legroom
- Adjustable steer column
- Compact steering wheel with spinner knob
- Optional deluxe suspension seat with high-visibility seat belt
- Operator sensing system
- Seat belt indicator



Improved Stability and Durability

The auxiliary weight design on the C-G^x Series lowers the forklift's centre of gravity to improve stability and heavy load handling.

This design enhancement also helps absorb and suppress residual noise from the engine while effectively reducing vibration to improve durability and increase longevity of critical components.

Clear Visibility

- Clear-view mast and overhead guard design
- Low front dash enhances sight lines for load-handling operations
- Panoramic mirror
- LED combination lights

Depend on the reliable C-G^x Series.

Ask your local Crown branch or dealer for a product demonstration.

Crown's Proven Support

Crown support begins long before a forklift leaves the factory. Our integrated approach to service provides an enhanced user experience for our customers — before, during and after the sale.

Service With Ease

The C-G^x Series is designed with technicians in mind to make service and troubleshooting easy for technicians.

- Tool-less side panel removal
- Easy access to fuse and relay junction box

Wide-open Hood

The engine compartment hood opens wide and is fixed into place with a locking cylinder.



Easy-to-access Components

Tool-less panel removal allows for quick checks and easy access for service.



Air Pre-Cleaner

Optional air pre-cleaner provides an additional level of protection in harsh, dusty environments.



Crown Equipment Corporation

New Bremen, Ohio 45869 USA

Tel 419-629-2311

Fax 419-629-3796

crown.com

Because Crown is continually improving its products, specifications are subject to change without notice.

Notice: Not all products and product features are available in all countries in which this literature is published.

Crown, the Crown logo, the color beige, and the Momentum symbol are trademarks of Crown Equipment Corporation in the United States and other countries.

Copyright 2021 Crown Equipment Corporation
SF20365-006 Rev. 06-21
Printed in U.S.A