



Cushion and Pneumatic Forklift Trucks

CD35S / CD40S / CD45S-5 & CD50C / CD55C-5
CG35S / CG40S / CG45S-5 & CG50C / CG55C-5
CGC35S / CGC40S / CGC45S-5 & CGC50C / CGC55C-5
3,500kg to 5,500kg Capacity



CGC35S / CGC40S / CGC45S-5
CGC50C / CGC55C-5
3,500kg 4,000kg 4,500kg
5,000kg 5,500kg
Cushion Tire



CD35S / CD40S / CD45S-5 & CD50C / D55C-5
CG35S / CG40S / CG45S-5 & CG50C / G55C-5
3,500kg 4,000kg 4,500kg 5,000kg 5,500kg
Pneumatic Tire



(May.2007)



Crown Equipment Pty Ltd

Australia Head office : Corner Long Cooper Streets Smithfield NSW
2164 Australia
Tel : +61 2 8788 0000 Fax : +61 2 9609 1702
Singapore Head office : 15 Tuas Avenue 8 Tuas 639230 Singapore
Tel : +65 6861 3669 Fax : +65 6861 0175
New Zealand Head office : 18 Andromeda Crescent East tamaki Auckland
1701 New Zealand
Tel : +64 9 274 4069 Fax : +64 9 273 7855

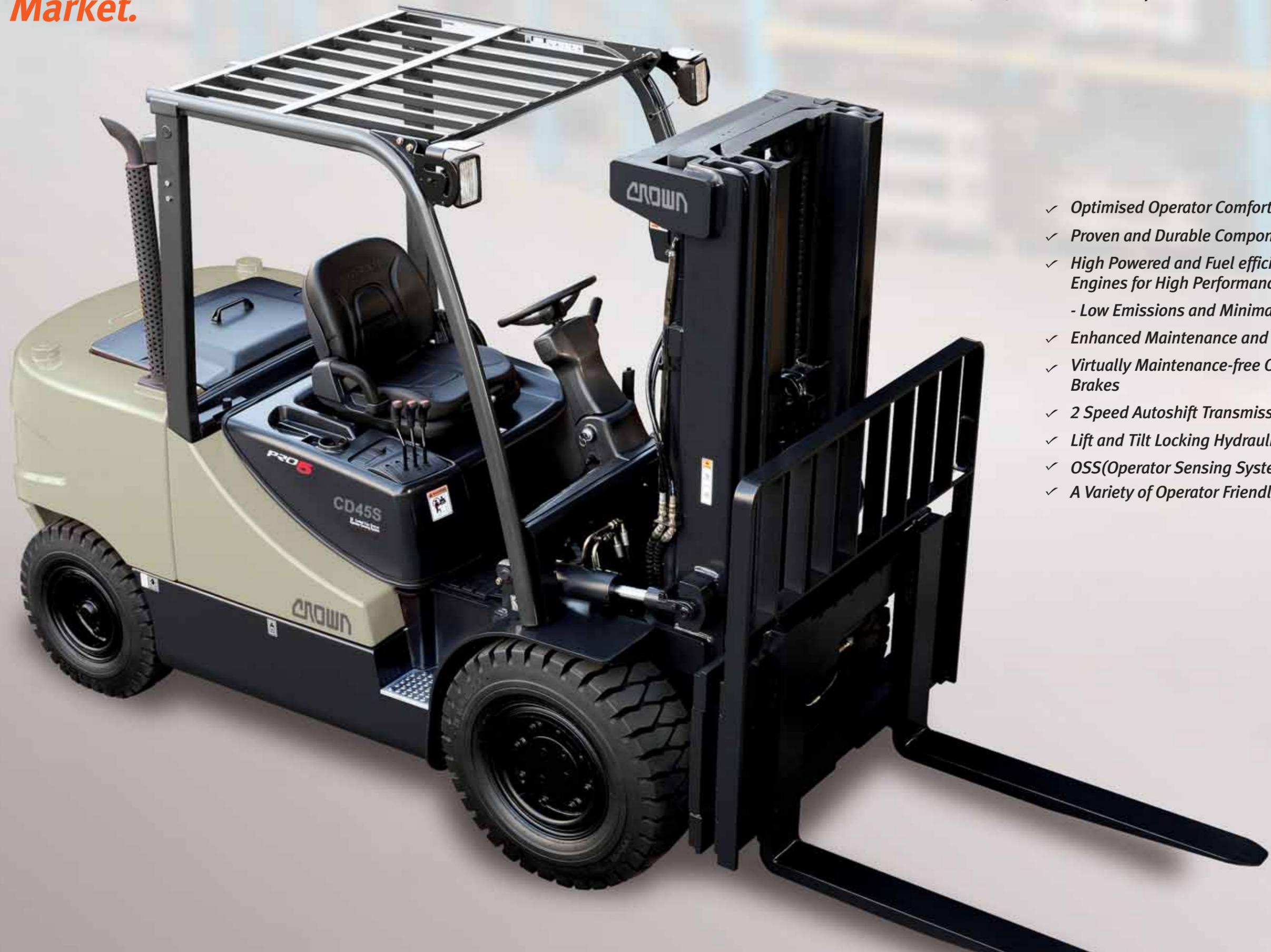
www.crown.com

Because Crown is continually improving its products, specifications are subject to change without notice.

Crown, the colour beige, the Momentum symbol are trademarks of Crown Equipment Corporation.

Copyright 2006 Crown Equipment Corporation
Ref : ASF0037
Printed in Australia.

***Field Proven and Endurance Tested...
To Give You the Best Value Forklift in
the Market.***



The design, development and production of the CD/CG/CGC 45 series provides customers with:

- ✓ *Optimised Operator Comfort & Safety*
- ✓ *Proven and Durable Components*
- ✓ *High Powered and Fuel efficient Diesel and LPG Engines for High Performance including*
 - *Low Emissions and Minimal Vibration*
- ✓ *Enhanced Maintenance and Serviceability*
- ✓ *Virtually Maintenance-free Oil Cooled Disc Brakes*
- ✓ *2 Speed Autoshift Transmission*
- ✓ *Lift and Tilt Locking Hydraulic Control Valve*
- ✓ *OSS(Operator Sensing System)*
- ✓ *A Variety of Operator Friendly Features*

Operator Comfort and Driver Efficiency is One of Crown's Top Priorities



Crown forklifts are designed to keep your operation and operators running at peak efficiency. Enhanced comfort features ensures operators do not experience fatigue or strain during everyday operation.

Designed to be simple, and easily adjusted, this operator compartment will make your driver feel right at home.

● High Visibility Overhead Guard and Front-end

Wider mast window, repositioned hydraulic hoses and flat bar style overhead guard optimizes operator sight lines forward, up and to the load.



● Integrated Instrument Panel

The centralized and easy-to-read instrument panel maximizes operator efficiency. Fuel gauge, engine hour meter, engine oil pressure, coolant and transmission temperature, mast interlock, transmission neutral, seat belt, brake oil level indicator keeps operator ever aware of all vehicle performance systems.



● Convenience Tray

Easily handles refreshments, paperwork, small tools, etc for operator efficiency.

● Auto Tilt Leveling (Optional)

Easily returns mast to upright vertical position with the simple push of a button



● Deluxe Suspension Seat with OSS (Operator Sensing System)

A comfortable deluxe suspension seat with OSS(Operator Sensing System), a large seatback angle, longer seat travel length and operator's weight resistance on front side allow multiple adjustments for optimum seating comfort.

- ✓ Parking alarm
- ✓ Seat belt indicator
- ✓ Neutral shift feature



● Spacious Operator compartment

Wide open operator leg room, stepless tiltable steering column and ergonomically located operator pedals with a low cowl height facilitate ease of operation.



Minimized Maintenance, Easy Serviceability.



Crown's Goal is to Make Your Material Handling Organization as Efficient and Reliable as Possible, by minimizing Down Time to Reduce Overall Maintenance Cost.

● Oil- Cooled Disc Brakes(ODB)

Oil cooled disc brakes are available as an option on all D,G(C)45S series pneumatic and cushion forklifts and are especially recommended for applications in humid, abrasive or corrosive environments, or with ramp, loading and unloading applications. This enclosed brake system eliminates outside contamination, significantly extending brake life and decreasing maintenance costs. Oil cooled disc brakes have service intervals 5 times longer than conventional shoe brakes, and require little to no maintenance.



● Power Reversal Transmission

Top mounted control valve on the transmission precisely modulates clutch oil pressure for smooth forward / reverse directional changes, permitting on-the-go shifting up to 5mph.



● Hydrostatic Steering System

No mechanical connections between steering wheel and steer axle for reduced maintenance. Easy Access grease fittings for proper lubrication. Sealed tapered roller bearings offer protection against contamination and in high impact applications. Provides low effort steering with quick steering response.



● Air Cleaner

A large capacity, dual element air cleaner permits long service intervals. The primary filter can be washed and re-used up to 5 times. A high air intake on the overhead guard is standard, and aids in drawing clean, cool air into the engine intake system.



● Full Floating Drive Axle

Strong one-piece cast housing keeps axle components aligned. High tensile strength alloy steel axle shafts extends axle life while splined side gear & drive wheel hub gears transmit high torque to the drive wheels.



● Tool - less Side Cover and Floor Plate facilitates Serviceability



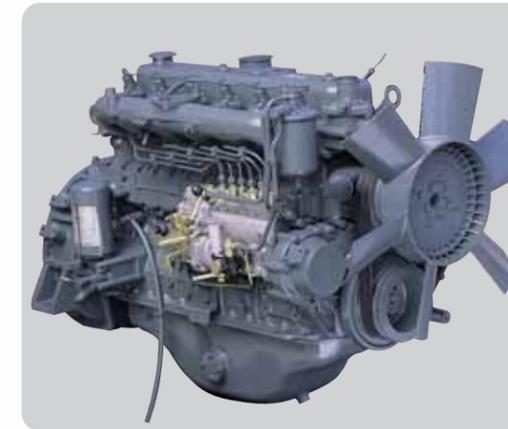
● Integration of Electrical Components for Easy Maintenance

Fuse and relay box located in front of the engine simplifies servicing

A Hallmark of Durability and Reliability



High powered and fuel - efficient diesel and LPG engines provide high performance levels and insure long term power plant efficiency.



● **Doosan Infracore DB58S (91HP)**

This powerful 6-cylinder 5.8L diesel engine delivers excellent power to meet the needs of the most demanding applications. DB58S diesel engines comply with EPA emission regulations.

● **GM V6 4.3L (93HP)**

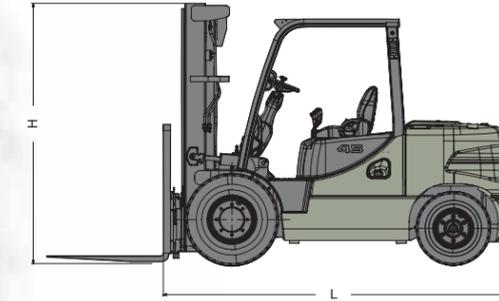
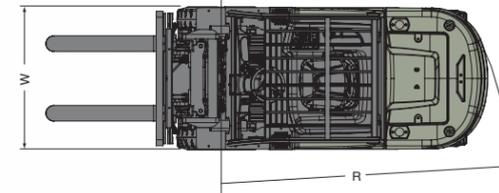
The well known, field proven GM 4.3L LP Gas engine has excellent durability. Low noise and minimal vibration features add to operators comfort.



**Proven Quality,
Responsive Service and
A Reliable Partner...**

After sales servicing of Crown forklifts is available from the selling dealership backed by Crown's own customer service centre. And Crown provides 100% parts inventory to insure any downtime is minimized. When you own a Crown forklift, our high quality, responsive customer support team comes with it.

The Crown network starts with your local dealer and ends with a national team of highly qualified and experienced personnel standing ready to support all your material handling needs.



Option Availability

● : Standard ○ : Optional

Options	CD35/CD40/CD45S-5 & CD50/CD55C-5 CD45C / CD45C / CD55C-5	CG35/CG40/CG45S-5 & CG50/CG55C-5 CG45C / CG45C / CG55C-5	CGC35S / CGC40S / CGC45S-5 & CGC50C / CGC55C-5
Fuel Cap with Key	●	n/a	n/a
Precleaner	●	●	n/a
Vertical Exhaust Tube	●	○	n/a
Catalytic Muffler*	○	○	○
Modular Operator Cabin	○	○	○
Air Conditioner	○	n/a	n/a
Non Marking Tire(Solid)	○	○	○
Spark Arrestor(w/o Cabin)	●	n/a	n/a
Mono Ped Foot Direction and Acceleration Control	○	○	○
AutoShift (Single,Dual Tire)	○	○	○
Engine Shutdown	○	○	○
Swingdown LP MTG	n/a	○	○
Lift and Tilt Locking Hydraulic Control Valve	●	●	●
Auto Tilt Leveling	○	○	○
Rear Grab Bar with Horn	○	○	○
Hydraulic Accumulator	○	○	○
Integral Side Shifting Fork Positioner	○	○	○
Hook on Sideshifter	○	○	○
UL LPS,DS Rating	○	○	○

* Catalytic muffler is standard for Tier-3 E/G only

Main Specification

	Sales Model	CD35S-5	CD40S-5	CD45S-5	CD50C-5	CD55C-5
Rated Load Capacity	kg	3,500	4,000	4,500	5,000	5,500
Load Centre	mm	600	600	600	600	600
Overall Length to Fork Face	L mm	3,100	3,151	3,265	3,300	3,350
Truck Overall Width	W mm	1,372	1,451	1,451	1,451	1,451
Height of Overhead Guard	H mm	2,225	2,230	2,230	2,280	2,280
Minimum Turning Radius	R mm	2,770	2,820	2,865	2,930	2,990
Travel Speed, Loaded	km/h	24	24	24	24	24
Lifting Speed, Loaded	mm/s	520	520	520	470	470
Wheel Base	mm	2,000	2,000	2,100	2,100	2,100
Engine Models		DB58S	DB58S	DB58S	DB58S	DB58S
Rated Power of Engine	kW/rpm	68/2,200	68/2,200	68/2,200	68/2,200	68/2,200
Max Torque	kgf.m/rpm	33/1,600	33/1,600	33/1,600	33/1,600	33/1,600
Displacements	cc	5,785	5,785	5,785	5,785	5,785

	Sales Model	CG35S-5	CG40S-5	CG45S-5	CG50C-5	CG55C-5
Rated Load Capacity	kg	3,500	4,000	4,500	5,000	5,500
Load Centre	mm	600	600	600	600	600
Overall Length to Fork Face	L mm	3,100	3,150	3,265	3,300	3,350
Truck Overall Width	W mm	1,372	1,451	1,451	1,451	1,451
Height of Overhead Guard	H mm	2,225	2,230	2,230	2,230	2,230
Minimum Turning Radius	R mm	2,770	2,820	2,865	2,930	2,990
Travel Speed, Loaded	km/h	20	19.5	19.5	19.5	19.5
Lifting Speed, Loaded	mm/s	500	500	500	490	470
Wheel Base	mm	2,000	2,000	2,100	2,100	2,100
Engine Models		G643(E)	G643(E)	G643(E)	G643(E)	G643(E)
Rated Power of Engine	kW/rpm	69/2,450	69/2,450	69/2,450	69/2,450	69/2,450
Max Torque	kgf.m/rpm	31/1,400	31/1,400	31/1,400	31/1,400	31/1,400
Displacements	cc	4,294	4,294	4,294	4,294	4,294

	Sales Model	CGC35S-5	CGC40S-5	CGC45S-5	CGC50C-5	CGC55C-5
Rated Load Capacity	kg	3,500	4,000	4,500	5,000	5,500
Load Centre	mm	500	500	600	600	600
Overall Length to Fork Face	L mm	2,682	2,686	2,828	2,878	3,010
Truck Overall Width	W mm	1,270	1,270	1,420	1,420	1,420
Height of Overhead Guard	H mm	2,155	2,155	2,155	2,155	2,155
Minimum Turning Radius	R mm	2,360	2,400	2,530	2,580	2,630
Travel Speed, Loaded	km/h	18/19	18/19	21/22	21/22	21/22
Lifting Speed, Loaded	mm/s	500/550	480/550	480/550	450/500	450/500
Wheel Base	mm	1,630	1,630	1,790	1,790	1,790
Engine Models		G643(E)	G643(E)	G643(E)	G643(E)	G643(E)
Rated Power of Engine	kW/rpm	69/2,450	69/2,450	69/2,450	69/2,450	69/2,450
Max Torque	kgf.m/rpm	31/1,400	31/1,400	31/1,400	31/1,400	31/1,400
Displacements	cc	4,294	4,294	4,294	4,294	4,294