



## Pneumatic Diesel Forklift Trucks

CD110 / CD130 / CD160S-5

11,000kg to 16,000kg Capacity



CD110 / CD130 / CD160S-5  
11,000 kg, 13,000 kg, 16,000 kg  
Diesel, Pneumatic Tire



(May, 2007)



Crown Equipment Pty Ltd

Australia Head office : Corner Long Cooper Streets Smithfield NSW  
2164 Australia  
Tel : +61 2 8788 0000 Fax : +61 2 9609 1702  
Singapore Head office : 15 Tuas Avenue 8 Tuas 639230 Singapore  
Tel : +65 6861 3669 Fax : +65 6861 0175  
New Zealand Head office : 18 Andromeda Crescent East tamaki Auckland  
1701 New Zealand  
Tel : +64 9 274 4069 Fax : +64 9 273 7855

[www.crown.com](http://www.crown.com)

Because Crown is continually improving its products, specifications are subject to change without notice.

Crown, the colour beige, the Momentum symbol are trademarks of Crown Equipment Corporation.

Copyright 2006 Crown Equipment Corporation  
Ref : ASF0041  
Printed in Australia.



## ***TOUGH, PRODUCTIVE AND GOOD LOOKIN' TO !***

That's the complete package you'll get with our new CD110-CD160 pneumatic family.

The design team has pulled out all the stops to give customers the most **ROBUST** and **DURABLE** machines in our forklift product line-up.

These powerful pneumatics with their **INCREASED CAPACITY** can handle the toughest tasks in the most demanding applications with **SPEED, POWER** and **EFFICIENCY**.

- Powerful and Efficient Doosan Diesel Engines
  - DL06(5.9Liter) for Euro Stage
  - DE08TS(8.1Liter) for Euro Stage
  - 103 kW(138HP) for CD110/130
  - 118 kW(158HP) for CD160
- Full Air Actuated Brake System
  - Service Brake
  - Parking Brake
- Integrated Operator Instrument Panel
- Pilot Actuated Hydraulic Control Valve and Levers
- Low Emission Engine
- Optional Tilttable Operator Compartment with or without Cab
- Electrically Controlled Full Autoshift Transmission
- Rugged Planetary Drive Axle





## OPERATORS ON THE JOB WILL FEEL RIGHT AT HOME

..... THANKS TO ALL THE COMFORT AND CONVENIENCE FEATURES  
IN OUR HUMAN ENGINEERED OPERATOR COMPARTMENT

CD110/130/160S-5 series comes equipped with our optimized operator comfort systems. The combination of a spacious operator compartment with a variety of operational enhancements will boost productivity in any application. Operators can efficiently control and monitor the truck operational status at a glance from their seated position.

### Operator friendly features include:

- **Spacious Operator compartment**  
Wide operator leg room, tiltable steering column and ergonomically located operator pedals with a low cowl height facilitate ease of operation.
- **Optional Deluxe Operator Cab**  
The all round visibility and deluxe operator cab is newly designed for maximum comfort. Highly visible front, top glass, side slide windows and numerous options will make operators feel right at home on the job.
- **Deluxe Suspension Seat**  
Full suspension deluxe seat with 6 directional adjustments keeps operators fresh and productive throughout the shift.
- **Integrated Instrument Panel**  
The centralized and integrated easy-to-read instrument panel maximizes operator efficiency. Fuel gauge, engine hour meter, air pressure gauge, engine oil pressure, coolant and transmission temperature gauge keeps operator aware of all vehicle performance systems
- **Pilot Actuated Hydraulic Control Valve and levers**  
The minimal valve throw provides smooth and responsive hydraulics for superb operator control.
- **Wide Foot Steps and Grab Bar**  
Wide and large open foot steps with anti-skid surface and a conveniently positioned overhead guard pillar grab bar provide effortless entry and exit.
- **Built in Air conditioning Duct and Grills (with Optional Operator Cab)**  
Positioned for maximum comfort in any environment.





**MINIMISED MAINTENANCE,  
EASY SERVICEABILITY!**

**A HALLMARK OF DURABILITY, RELIABILITY AND  
SERVICEABILITY**

Crown forklift trucks are designed with longevity in mind. A Crown truck has specific design elements that enhance the reliability of its parts for decreased wear and tear and increased endurance. Count on the reliability of a Crown forklift truck for peace of mind allowing you to concentrate on aspects of your business besides material handling

● **A Planetary Type Drive Axle**

Planetary drive axle assembly with steel housing features hardened load-bearing spindles and full-floating axle shafts with positive oil flow to all gears and bearings, four-pin, hypoid differential and radically floating sun and ring gear.



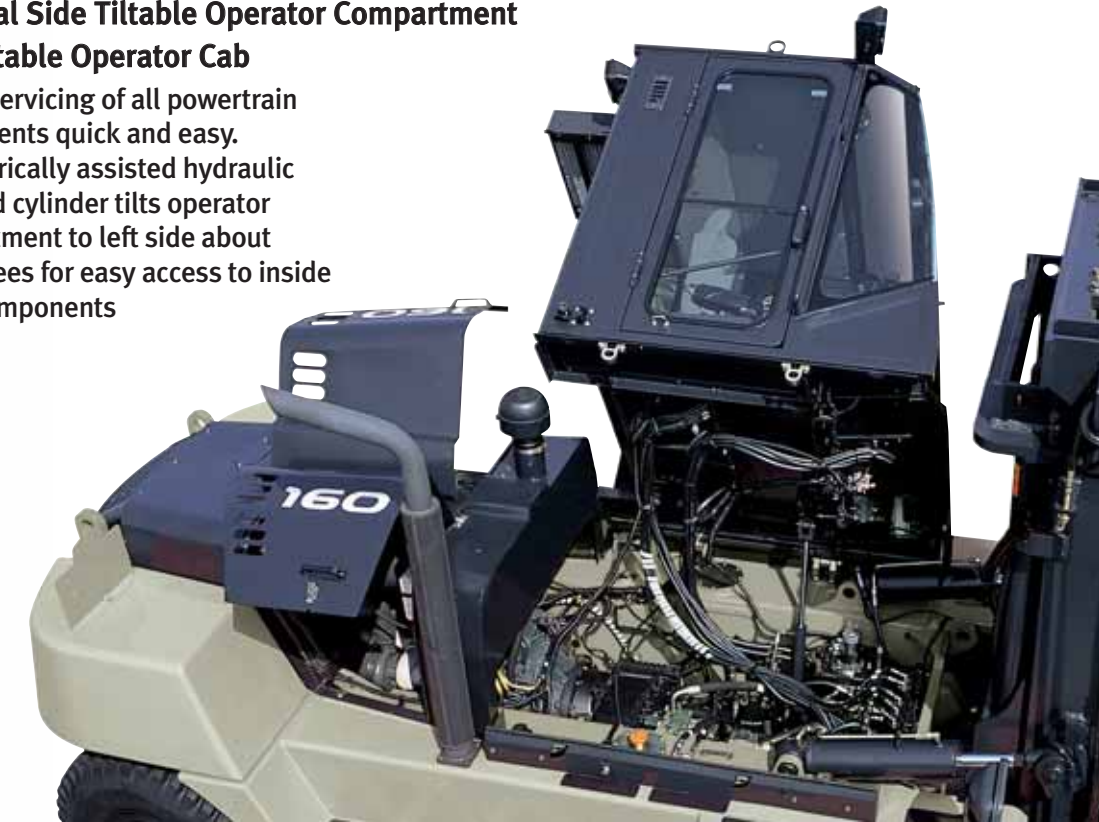
● **Pre-Cleaner and Dual Element Air Cleaner**

Heavy duty air cleaning system extends engine service life and allows clean, cool air into the engine intake system.



● **Optional Side Tiltable Operator Compartment and Tiltable Operator Cab**

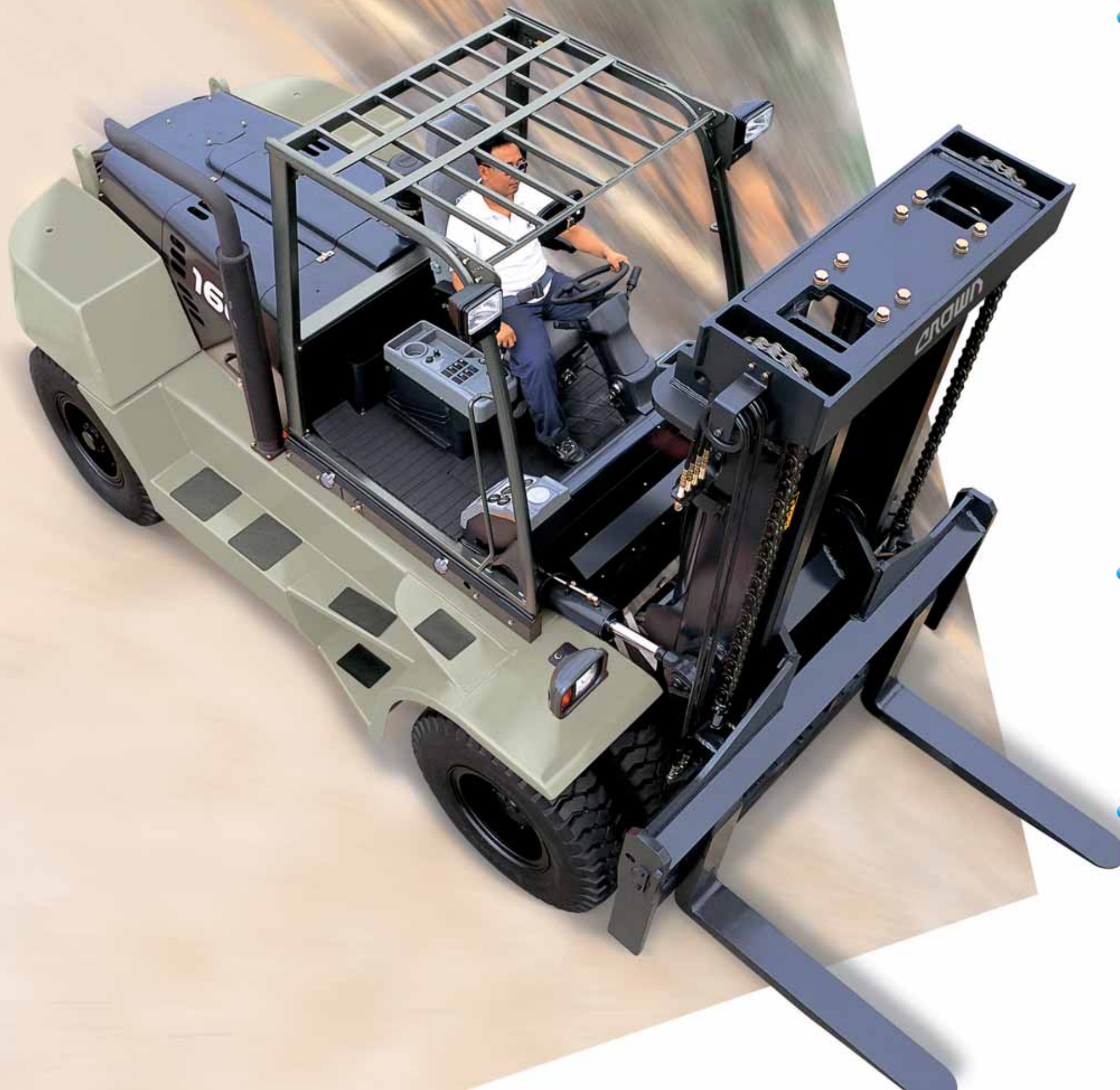
makes servicing of all powertrain components quick and easy. An electrically assisted hydraulic actuated cylinder tilts operator compartment to left side about 65 degrees for easy access to inside truck components



one touch tilting cabin switch



**TOUGH, PROVEN AND RELIABLE COMPONENTS....  
GUARANTEE EFFICIENT AND PRODUCTIVE OPERATION**



**WE'VE COMBINED POWER WITH EFFICIENCY TO  
GIVE YOU THE MOST PRODUCTIVE TRUCK IN THIS  
PRODUCT RANGE.**

● **Low emission, High power and Fuel Efficient 5.9 Liter Diesel Engine**

Doosan DLo6 turbo-intercooler (air cooled) diesel engine complies with EPA Tier III and Euro Stage 3 emission regulations. The electric governed engine control system provides high performance and low fuel consumption rates for excellent economical operation. Six cylinders, Common Rail Direct Injection, full range electrical governor and a heavy duty fuel filter with water separator, all add up to a powerful and efficient power plant.



● **High Powered Turbo charger Doosan DE08TS 8.1 Liter Diesel Engine**

Doosan DE08TS, turbo charger diesel engine, is low emission engine to meet Euro Stage-2 and EPA Tier- emission regulation. Six Cylinders, Direct injection, In-line vertical, Overhead 2 valves system, Bosch in-line multi injection holes, Full range mechanical governor, 24 volt electrical system, Ventilated 61-Amp Alternator, Enclosed positive 6.0kw starter, Dual-element air cleaner, Spin-on oil filter, Heavy duty fuel filter with water separator.



● **Fully Electric controlled Autoshift Transmission**

Provides electronic inching enabling even massive loads to be moved with great precision. Fully capable of shifting under power, soft gear shifting is achieved with 3 forward and 3 reverse gears. Maintenance requirements and service life are greatly enhanced.



● **Hydraulic Motor Driven Remote Cooling Fan**

A large capacity cooling fan driven by a remote hydraulic motor effectively manages operating temperatures to enhance engine wear and productive capacity.





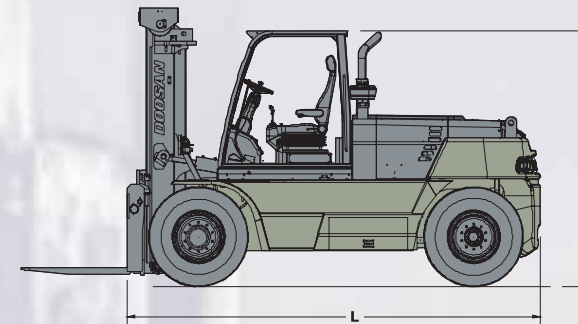
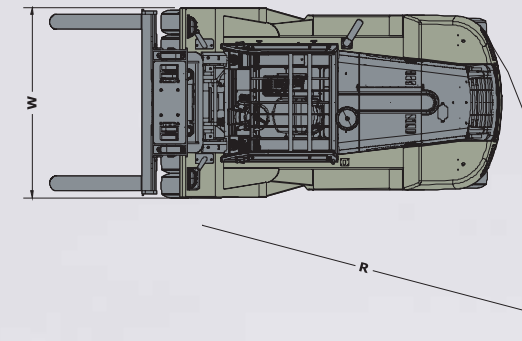
**PROVEN QUALITY,  
RESPONSIVE SERVICE AND  
A RELIABLE PARTNER....**

Crown's goal is to make your material handling operations as efficient and reliable as possible.

After sales servicing of Crown forklift trucks is available from both the selling dealership and Crown's own customer service centre. And Crown provides 100% parts inventory to insure any downtime is minimised.

When you own a Crown forklift truck, our high quality, responsive customer support team comes with it.

The Crown network starts with your local branch and ends with a national team of highly qualified and experienced personnel standing ready to support all your material handling needs.



■ Option Availability

● : Standard ○ : Optional

Options	CD110S-5	CD130S-5	CD160S-5
2 Section Valves (Pilot Operated)	●	●	●
3 Section Valves (Pilot Operated)	○	○	○
4 Section Valves (Pilot Operated)	○	○	○
5 Section Valves (Pilot Operated)	○	○	○
Deluxe Suspension Seat- Vinyl	●	●	●
Deluxe Suspension Seat- Cloth*	○	○	○
Tilttable Operator Cab	○	○	○
Air Conditioner / Heater	○	○	○
Sound Suppression Package	○	○	○
CD Player & Radio for Cabin	○	○	○
2 Rear Working Lights	○	○	○
4 Working Lights	○	○	○
2 Front Lights on Fender	○	○	○
Rear Strobe Lamp	○	○	○
Spark Arrestor	○	○	○
Tool	●	●	●
Solid Soft Tyres	○	○	○
Non Marking Tyres	○	○	n/a
Catalytic Muffler	○	○	○
Battery Isolated Switch	○	○	○
Lockable Fuel Cap	○	○	○
Speedometer	○	○	○
Lockable Side Covers **	○	○	n/a
Lift and Tilt Locking	●	●	●
Full Free Triple Mast	n/a	n/a	○

\* : The cloth deluxe suspension seat is provided with optional operator cab

\*\* : Lockable side covers are available on E,U country only

■ Main Specification

Sales Models		CD110S-5		CD130S-5		CD160S-5	
Rated Load Capacity	kg	11,000		13,000		16,000	
Load Centre	mm	600		600		600	
Overall Width	W mm	2350		2350		2490	
Overall Length to Fork Face	L mm	4340		4340		4715	
Height to Overhead Guard	H mm	2765		2765		2928	
Minimum Turning Radius	R mm	4040		4040		4400	
Wheel Base	mm	2850		2850		3150	
Travel Speed, Loaded	km/h	33.0		33.0		29.0	
Lifting Speed, Loaded	mm/s	450		430		410	
Engine Maker		Doosan		Doosan		Doosan	
Engine Model		DL06	DE08TS	DL06	DE08TS	DL06	DE08TS
Rated Power of Engine	kW(HP)@rpm	103(138)@2100	103(138)@2200	103(138)@2100	103(138)@2200	118(158)@2100	118(158)@2200
Displacement of Engine	cc	5890	8071	5890	8071	5890	8071
Number of Cylinder		6		6		6	
Number of Speed(Fwd/Rev)		3 / 3		3 / 3		3 / 3	