

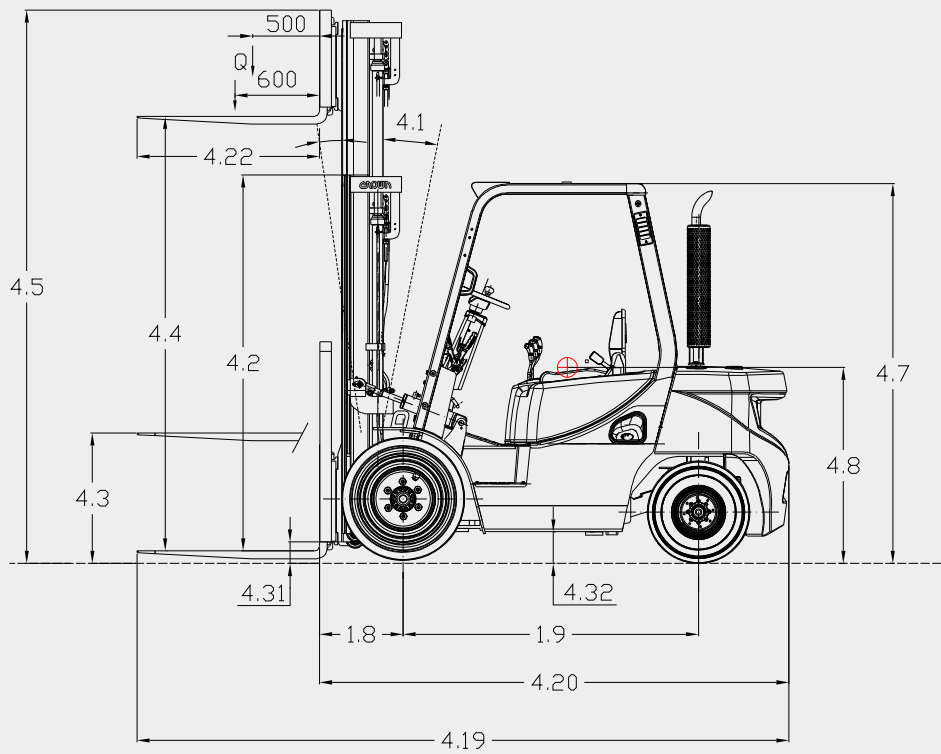
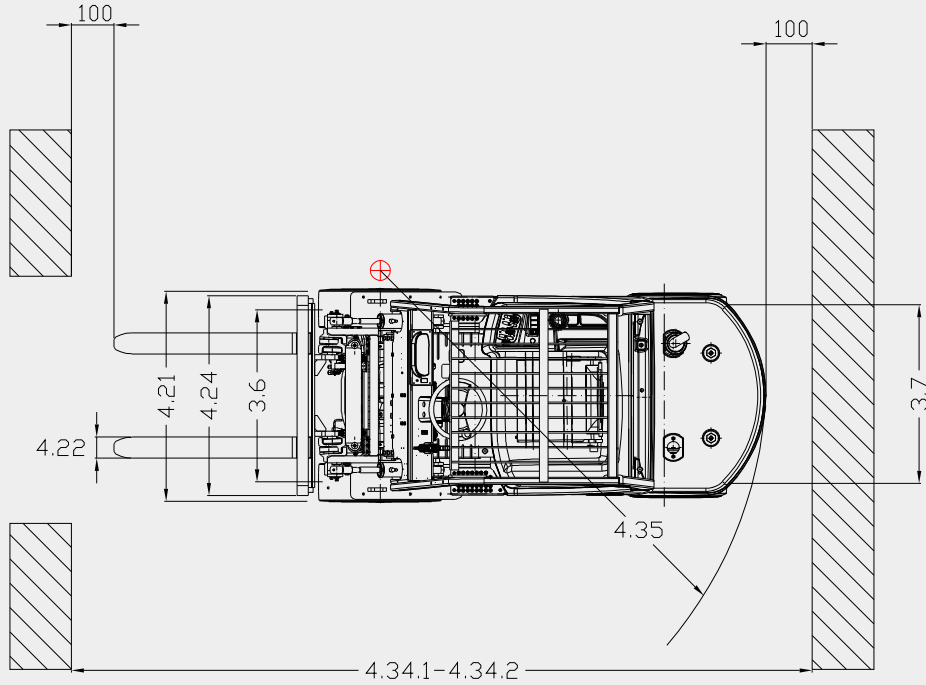
CROWN

C-G / C-D **2000-3500**

Specifications



**Pneumatic LPG
and Diesel
2000 to 3500 kg**



| | 1.2 | Model Designation | | | CD20S-7 | CD25S-7 | CD30S-7 | CD33S-7 | CD35C-7 | |
|---------------------|-------------------------|--|---|----------------|----------------|---------------|---------------|---------------|---------------|-------|
| General Information | 1.3 | Drive | | | Diesel | | | | | |
| | 1.4 | Operator Type | | | Seated | | | | | |
| | 1.5 | Load Capacity | Q | kg | 2,000 | 2,500 | 3,000 | 3,250 | 3,500 | |
| | 1.6 | Load Centre | c | mm | 500 | | | | | |
| | 1.8 | Load Distance: centre of drive axle to fork | x | mm | 485 | | | | 495 | |
| | 1.9 | Wheelbase | y | mm | 1,625 | | | 1,700 | | |
| | Weight | 2.1 | Service Weight | | kg | 3,690 | 4,065 | 4,450 | 4,630 | 4,810 |
| 2.2 | | Axle Loading, Laden Front/Rear | | kg | 4,930/650 | 5,660/790 | 6,580/870 | 6,940/940 | 7,340/970 | |
| 2.3 | | Axle Loading, Unladen Front/Rear | | kg | 1,720/1,860 | 1,650/2,300 | 1,840/2,610 | 1,800/2,830 | 1,780/3,030 | |
| Tyres | 3.1 | Tyre Type | | | Pneumatic | | | | | |
| | 3.2 | Tyre Size, Front | | | 7.00x15-12 | | 28x9x15-12 | | 250x15-18 | |
| | 3.3 | Tyre Size, Rear | | | 6.50x10-10 | | | 6.50x10-12 | | |
| | 3.5 | Wheels, Number Front/Rear (x = driven wheels) | | | 2x/2 | | | | | |
| | 3.6 | Tread, Front | b11 | mm | 975 | | 982 | | 1,026 | |
| | 3.7 | Tread, Rear | b12 | mm | 1,000 | | | | | |
| | Dimensions | 4.1 | Tilt of Mast/Fork Carriage Forward/Backward | α/β | $^{\circ}$ | 6/10 | | | | |
| 4.2 | | Height, Mast Lowered | h1 | mm | 2,175 | | 2,165 | | | |
| 4.3 | | Free Lift | h2 | mm | 152 | | | | | |
| 4.4 | | Lift | h3 | mm | 3,230 | | | | | |
| 4.5 | | Height, Mast Extended | h4 | mm | 4,490 | | | | 4,260 | |
| 4.7 | | Height of Overhead Guard (cabin) | h6 | mm | 2,183 | | | | | |
| 4.8 | | Seat Height | h7 | mm | 1,026 | | | | | |
| 4.19 | | Overall Length | l1 | mm | 3,565 | 3,630 | 3,744 | 3,774 | 3,809 | |
| 4.23 | | Fork Carriage ISO 2328, Class/Type A, B | | | II/A | | | III/A | | |
| 4.24 | | Fork Carriage Width | b3 | mm | 1,103 | | | 1,115 | | |
| 4.31 | | Ground Clearance, Laden, Below Mast | m1 | mm | 115 | | | 105 | | |
| 4.32 | | Ground Clearance, Centre of Wheelbase | m2 | mm | 143 | | | | | |
| 4.34.1 | | Aisle Width for Pallets 1,000 X 1,200 Crossways | Ast | mm | 3,800 | 3,845 | 3,950 | 3,980 | 4,015 | |
| 4.34.2 | | Aisle Width for Pallets 800 X 1,200 Crossways | Ast | mm | 3,600 | 3,645 | 3,750 | 3,780 | 3,815 | |
| 4.35 | | Turning Radius | Wa | mm | 2,220 | 2,265 | 2,365 | 2,395 | 2,420 | |
| 4.36 | Internal Turning Radius | b13 | mm | 775 | | | 761 | | | |
| Performance | 5.1 | Travel Speed, Laden/Unladen | | km/h | 19/19.5 | | 18/18.5 | | 18.5/19 | |
| | 5.2 | Lift Speed, Laden/Unladen | | m/s | 0.53/0.55 | 0.52/0.55 | 0.50/0.55 | 0.49/0.55 | 0.42/0.55 | |
| | 5.3 | Lowering Speed, Laden/Unladen | | m/s | 0.51/0.46 | | | | | |
| | 5.5 | Drawbar Pull, Laden/Unladen (@ 1.6Km/h) | | N | 17,350/17,130 | 17,160/17,060 | 17,960/17,620 | 17,870/17,720 | 17,220/17,160 | |
| | 5.6 | Max. Drawbar Pull, Laden/Unladen | | N | 20,100/19,780 | 19,920/19,720 | 21,080/20,510 | 20,990/20,650 | 20,150/19,950 | |
| | 5.7 | Gradeability, Laden/Unladen (@ 1.6Km/h) | | % | 33.0/55.0 | 28.2/50.0 | 25.0/43.5 | 23.5/42.5 | 21.5/40.0 | |
| | 5.8 | Max. Gradeability, Laden/Unladen | | % | 38.5/66.5 | 33.0/60.3 | 29.5/52.0 | 27.5/50.5 | 25.0/47.0 | |
| | 5.10 | Service Brake | | | Foot/Hydraulic | | | | | |
| Engine | 7.1 | Engine Manufacturer/Model | | | YANMAR/4TNE98 | | | | | |
| | 7.2 | Engine Power according to DIN ISO1585 | | kW | 43.7 | | | | | |
| | 7.3 | Rated Speed | | min-1 | 2300 | | | | | |
| | 7.3.1 | Torque at 1/min | | N•m | 191/1,600 | | | | | |
| | 7.4 | Number of Cylinders/Displacement | | n/cm3 | 4/4/3,319 | | | | | |
| | 7.1 | Battery Voltage/Normal Capacity | | V/Ah | 12/85 | | | | | |
| Misc. | 10.1 | Operating Pressure for attachments | | bar | 156 | | | | | |
| | 10.2 | Oil Flow Rate for attachments | | l/min | 60 | | | | | |
| | 10.4 | Fuel Tank Capacity | | l | 51 | | | | | |
| | 10.7 | Sound Level at the driver's ear according to EN 12 053 | | dB(A) | 84 | | | | | |

MAST SPECIFICATIONS & RATED CAPACITIES

CD20S-7

| Mast Type | Maximum Fork Height | Maximum Lowered Height | Fully Extended Height | Free Lift | Rated Load Capacities | | | | | | | | |
|-----------|---------------------|------------------------|-----------------------|-----------|-----------------------|--------------------|-------------|-----|--------------|-----|-------------|-------------|-----------------|
| | | | | | With Load Backrest | With Load Backrest | Tilt Angle | | | | | | Load Capacities |
| | | | Single Pneu | | | | Double Pneu | | Single Solid | | Single Pneu | Double Pneu | Single Solid |
| | | | FWD | BWD | | | FWD | BWD | FWD | BWD | LC 500mm | LC 500mm | LC 500mm |
| mm | mm | mm | mm | deg | deg | deg | deg | deg | deg | kg | kg | kg | |
| STD | 2,030 | 1,575 | 3,290 | 147 | 6 | 10 | 6 | 10 | 6 | 10 | 2,000 | 2,000 | 2,000 |
| | 2,580 | 1,850 | 3,840 | 147 | 6 | 10 | 6 | 10 | 6 | 10 | 2,000 | 2,000 | 2,000 |
| | 2,950 | 2,035 | 4,210 | 147 | 6 | 10 | 6 | 10 | 6 | 10 | 2,000 | 2,000 | 2,000 |
| | 3,230 | 2,175 | 4,490 | 147 | 6 | 10 | 6 | 10 | 6 | 10 | 2,000 | 2,000 | 2,000 |
| | 3,500 | 2,425 | 4,765 | 147 | 6 | 10 | 6 | 10 | 6 | 10 | 2,000 | 2,000 | 2,000 |
| | 3,800 | 2,575 | 5,065 | 147 | 6 | 10 | 6 | 10 | 6 | 10 | 2,000 | 2,000 | 2,000 |
| | 3,950 | 2,650 | 5,215 | 147 | 6 | 10 | 6 | 10 | 6 | 10 | 2,000 | 2,000 | 2,000 |
| | 4,350 | 2,850 | 5,615 | 147 | 6 | 10 | 6 | 10 | 6 | 10 | 2,000 | 2,000 | 2,000 |
| | 4,960 | 3,150 | 6,215 | 147 | 6 | 5 | 6 | 10 | 6 | 10 | 1,900 | 1,925 | 1,975 |
| FF | 2,580 | 1,850 | 3,840 | 645 | 6 | 10 | 6 | 10 | 6 | 10 | 2,000 | 2,000 | 2,000 |
| | 2,950 | 2,035 | 4,210 | 830 | 6 | 10 | 6 | 10 | 6 | 10 | 2,000 | 2,000 | 2,000 |
| | 3,230 | 2,175 | 4,490 | 970 | 6 | 10 | 6 | 10 | 6 | 10 | 2,000 | 2,000 | 2,000 |
| | 3,600 | 2,425 | 4,865 | 1,220 | 6 | 10 | 6 | 10 | 6 | 10 | 2,000 | 2,000 | 2,000 |
| FFT | 3,900 | 1,875 | 5,165 | 670 | 6 | 8 | 6 | 8 | 6 | 8 | 2,000 | 2,000 | 2,000 |
| | 4,290 | 2,015 | 5,570 | 805 | 6 | 8 | 6 | 8 | 6 | 8 | 2,000 | 2,000 | 2,000 |
| | 4,730 | 2,150 | 5,990 | 945 | 6 | 8 | 6 | 8 | 6 | 8 | 1,950 | 1,950 | 2,000 |
| | 4,805 | 2,175 | 6,065 | 970 | 6 | 5 | 6 | 8 | 6 | 8 | 1,950 | 1,925 | 2,000 |
| | 5,560 | 2,500 | 6,815 | 1,295 | 6 | 3 | 6 | 8 | 6 | 8 | 1,650 | 1,825 | 1,875 |
| | 6,010 | 2,650 | 7,265 | 1,445 | 6 | 3 | 6 | 8 | 6 | 5 | 1,300 | 1,750 | 1,825 |

CD25S-7

| | | | | | | | | | | | | | |
|-----|-------|-------|-------|-------|---|----|---|----|---|----|-------|-------|-------|
| STD | 2,030 | 1,575 | 3,290 | 147 | 6 | 10 | 6 | 10 | 6 | 10 | 2,500 | 2,500 | 2,500 |
| | 2,580 | 1,850 | 3,840 | 147 | 6 | 10 | 6 | 10 | 6 | 10 | 2,500 | 2,500 | 2,500 |
| | 2,950 | 2,035 | 4,210 | 147 | 6 | 10 | 6 | 10 | 6 | 10 | 2,500 | 2,500 | 2,500 |
| | 3,230 | 2,175 | 4,490 | 147 | 6 | 10 | 6 | 10 | 6 | 10 | 2,500 | 2,500 | 2,500 |
| | 3,500 | 2,425 | 4,765 | 147 | 6 | 10 | 6 | 10 | 6 | 10 | 2,500 | 2,500 | 2,500 |
| | 3,800 | 2,575 | 5,065 | 147 | 6 | 10 | 6 | 10 | 6 | 10 | 2,500 | 2,500 | 2,500 |
| | 3,950 | 2,650 | 5,215 | 147 | 6 | 10 | 6 | 10 | 6 | 10 | 2,500 | 2,500 | 2,500 |
| | 4,350 | 2,850 | 5,615 | 147 | 6 | 5 | 6 | 10 | 6 | 10 | 2,500 | 2,500 | 2,500 |
| | 4,960 | 3,150 | 6,215 | 147 | 6 | 3 | 6 | 10 | 6 | 10 | 2,075 | 2,450 | 2,500 |
| FF | 2,580 | 1,850 | 3,840 | 645 | 6 | 10 | 6 | 10 | 6 | 10 | 2,500 | 2,500 | 2,500 |
| | 2,950 | 2,035 | 4,210 | 830 | 6 | 10 | 6 | 10 | 6 | 10 | 2,500 | 2,500 | 2,500 |
| | 3,230 | 2,175 | 4,490 | 970 | 6 | 10 | 6 | 10 | 6 | 10 | 2,500 | 2,500 | 2,500 |
| | 3,600 | 2,425 | 4,865 | 1,220 | 6 | 10 | 6 | 10 | 6 | 10 | 2,500 | 2,500 | 2,500 |
| FFT | 3,900 | 1,875 | 5,165 | 670 | 6 | 8 | 6 | 8 | 6 | 8 | 2,500 | 2,500 | 2,500 |
| | 4,290 | 2,015 | 5,570 | 805 | 6 | 8 | 6 | 8 | 6 | 8 | 2,500 | 2,500 | 2,500 |
| | 4,730 | 2,150 | 5,990 | 945 | 6 | 3 | 6 | 8 | 6 | 8 | 2,450 | 2,500 | 2,500 |
| | 4,805 | 2,175 | 6,065 | 970 | 6 | 3 | 6 | 8 | 6 | 8 | 2,350 | 2,475 | 2,475 |
| | 5,560 | 2,500 | 6,815 | 1,295 | 6 | 3 | 6 | 8 | 6 | 8 | 1,525 | 2,325 | 2,400 |
| | 6,010 | 2,650 | 7,265 | 1,445 | 6 | 3 | 6 | 8 | 6 | 5 | 1,175 | 2,250 | 2,300 |

CD30S-7

| | | | | | | | | | | | | | |
|-----|-------|-------|-------|-------|---|----|---|----|---|----|-------|-------|-------|
| STD | 2,030 | 1,565 | 3,290 | 152 | 6 | 10 | 6 | 10 | 6 | 10 | 3,000 | 3,000 | 3,000 |
| | 2,580 | 1,840 | 3,840 | 152 | 6 | 10 | 6 | 10 | 6 | 10 | 3,000 | 3,000 | 3,000 |
| | 2,950 | 2,025 | 4,210 | 152 | 6 | 10 | 6 | 10 | 6 | 10 | 3,000 | 3,000 | 3,000 |
| | 3,230 | 2,175 | 4,490 | 152 | 6 | 10 | 6 | 10 | 6 | 10 | 3,000 | 3,000 | 3,000 |
| | 3,500 | 2,415 | 4,765 | 152 | 6 | 10 | 6 | 10 | 6 | 10 | 3,000 | 3,000 | 3,000 |
| | 3,800 | 2,565 | 5,065 | 152 | 6 | 10 | 6 | 10 | 6 | 10 | 3,000 | 3,000 | 3,000 |
| | 3,950 | 2,640 | 5,215 | 152 | 6 | 10 | 6 | 10 | 6 | 10 | 3,000 | 3,000 | 3,000 |
| | 4,350 | 2,840 | 5,615 | 152 | 6 | 5 | 6 | 10 | 6 | 10 | 3,000 | 3,000 | 3,000 |
| | 4,960 | 3,140 | 6,215 | 152 | 6 | 3 | 6 | 10 | 6 | 10 | 2,525 | 2,900 | 2,975 |
| FF | 2,580 | 1,840 | 3,840 | 640 | 6 | 10 | 6 | 10 | 6 | 10 | 3,000 | 3,000 | 3,000 |
| | 2,950 | 2,025 | 4,210 | 825 | 6 | 10 | 6 | 10 | 6 | 10 | 3,000 | 3,000 | 3,000 |
| | 3,230 | 2,165 | 4,490 | 965 | 6 | 10 | 6 | 10 | 6 | 10 | 3,000 | 3,000 | 3,000 |
| | 3,600 | 2,415 | 4,865 | 1,215 | 6 | 10 | 6 | 10 | 6 | 10 | 3,000 | 3,000 | 3,000 |
| FFT | 3,900 | 1,890 | 5,165 | 690 | 6 | 8 | 6 | 8 | 6 | 8 | 2,900 | 2,900 | 2,900 |
| | 4,290 | 2,025 | 5,570 | 825 | 6 | 5 | 6 | 8 | 6 | 8 | 2,900 | 2,900 | 2,900 |
| | 4,730 | 2,165 | 5,990 | 965 | 6 | 3 | 6 | 8 | 6 | 8 | 2,900 | 2,900 | 2,900 |
| | 4,805 | 2,190 | 6,065 | 990 | 6 | 3 | 6 | 8 | 6 | 8 | 2,825 | 2,900 | 2,900 |
| | 5,560 | 2,515 | 6,815 | 1,315 | 6 | 3 | 6 | 8 | 6 | 5 | 1,850 | 2,750 | 2,825 |
| | 6,010 | 2,665 | 7,265 | 1,465 | 6 | 3 | 6 | 5 | 6 | 3 | 1,425 | 2,675 | 2,750 |

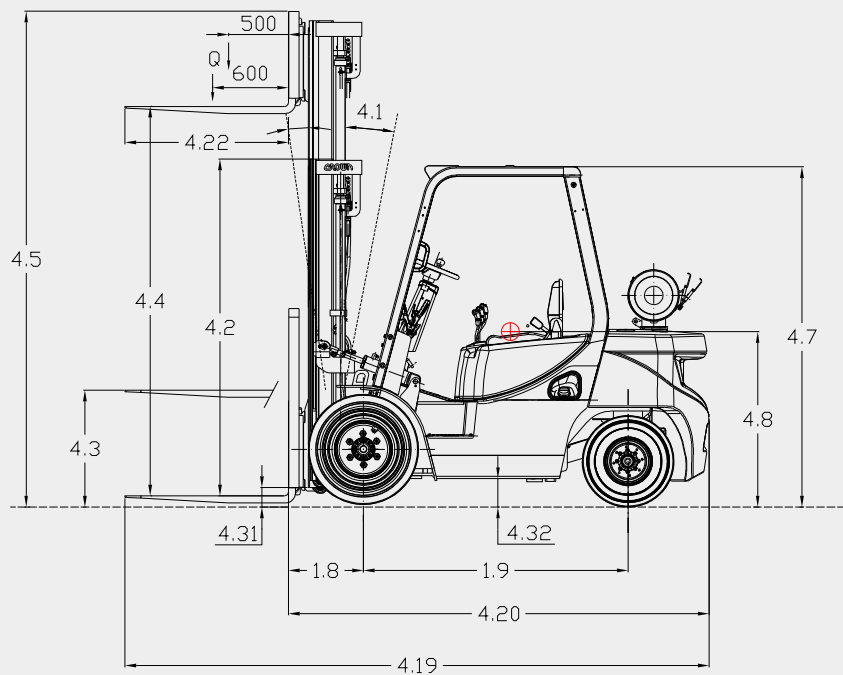
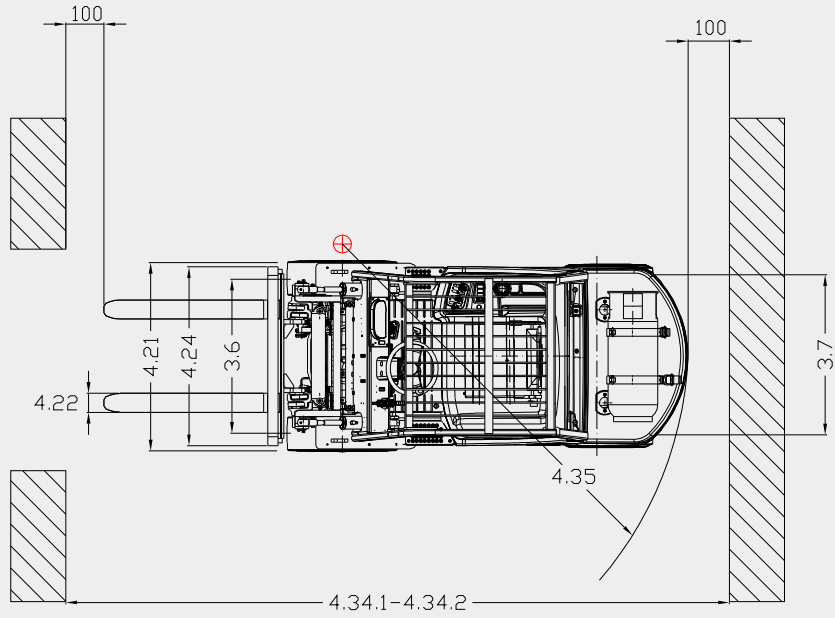
Note : Mast Specifications & Rated Capacities are based on standard chassis with dual pneumatic tyre and without side shifter.

CD33S-7

| Mast Type | Maximum Fork Height | Maximum Lowered Height | Fully Extended Height | Free Lift | Rated Load Capacities | | | | | | | | |
|-----------|---------------------|------------------------|-----------------------|--------------------|-----------------------|-----|-------------|-----|--------------|-----|-----------------|-------------|--------------|
| | | | With Load Backrest | With Load Backrest | Tilt Angle | | | | | | Load Capacities | | |
| | | | | | Single Pneu | | Double Pneu | | Single Solid | | Single Pneu | Double Pneu | Single Solid |
| | | | | | FWD | BWD | FWD | BWD | FWD | BWD | LC 500mm | LC 500mm | LC 500mm |
| mm | mm | mm | mm | deg | deg | deg | deg | deg | deg | kg | kg | kg | |
| STD | 2,030 | 1,565 | 3,290 | 152 | 6 | 10 | 6 | 10 | 6 | 10 | 3,250 | 3,250 | 3,250 |
| | 2,580 | 1,840 | 3,840 | 152 | 6 | 10 | 6 | 10 | 6 | 10 | 3,250 | 3,250 | 3,250 |
| | 2,950 | 2,025 | 4,210 | 152 | 6 | 10 | 6 | 10 | 6 | 10 | 3,250 | 3,250 | 3,250 |
| | 3,230 | 2,165 | 4,490 | 152 | 6 | 10 | 6 | 10 | 6 | 10 | 3,250 | 3,250 | 3,250 |
| | 3,500 | 2,415 | 4,765 | 152 | 6 | 10 | 6 | 10 | 6 | 10 | 3,250 | 3,250 | 3,250 |
| | 3,800 | 2,565 | 5,065 | 152 | 6 | 10 | 6 | 10 | 6 | 10 | 3,250 | 3,250 | 3,250 |
| | 3,950 | 2,640 | 5,215 | 152 | 6 | 10 | 6 | 10 | 6 | 10 | 3,175 | 3,250 | 3,250 |
| | 4,350 | 2,840 | 5,615 | 152 | 6 | 5 | 6 | 10 | 6 | 10 | 3,175 | 3,250 | 3,250 |
| | 4,960 | 3,140 | 6,215 | 152 | 6 | 3 | 6 | 10 | 6 | 8 | 2,450 | 3,125 | 3,200 |
| FF | 2,580 | 1,840 | 3,840 | 640 | 6 | 10 | 6 | 10 | 6 | 10 | 3,250 | 3,250 | 3,250 |
| | 2,950 | 2,025 | 4,210 | 825 | 6 | 10 | 6 | 10 | 6 | 10 | 3,250 | 3,250 | 3,250 |
| | 3,230 | 2,165 | 4,490 | 965 | 6 | 10 | 6 | 10 | 6 | 10 | 3,250 | 3,250 | 3,250 |
| | 3,600 | 2,415 | 4,865 | 1,215 | 6 | 10 | 6 | 10 | 6 | 10 | 3,250 | 3,250 | 3,250 |
| FFT | 3,900 | 1,890 | 5,165 | 690 | 6 | 8 | 6 | 8 | 6 | 8 | 3,250 | 3,250 | 3,250 |
| | 4,290 | 2,025 | 5,570 | 825 | 6 | 8 | 6 | 8 | 6 | 8 | 3,250 | 3,250 | 3,250 |
| | 4,730 | 2,165 | 5,990 | 965 | 6 | 3 | 6 | 8 | 6 | 8 | 2,900 | 3,175 | 3,250 |
| | 5,560 | 2,515 | 6,815 | 1,315 | 6 | 3 | 6 | 8 | 6 | 5 | 1,750 | 2,975 | 3,050 |
| | 6,010 | 2,665 | 7,265 | 1,465 | 6 | 3 | 6 | 5 | 6 | 3 | 1,350 | 2,875 | 2,950 |

CD35C-7

| | | | | | | | | | | | | | |
|-----|-------|-------|-------|-------|---|----|---|----|---|----|-------|-------|-------|
| STD | 1,800 | 1,565 | 3,290 | 152 | 6 | 10 | 6 | 10 | 6 | 10 | 3,500 | 3,500 | 3,500 |
| | 2,350 | 1,840 | 3,610 | 152 | 6 | 10 | 6 | 10 | 6 | 10 | 3,500 | 3,500 | 3,500 |
| | 2,720 | 2,025 | 3,980 | 152 | 6 | 10 | 6 | 10 | 6 | 10 | 3,500 | 3,500 | 3,500 |
| | 3,000 | 2,165 | 4,260 | 152 | 6 | 10 | 6 | 10 | 6 | 10 | 3,500 | 3,500 | 3,500 |
| | 3,495 | 2,415 | 4,760 | 152 | 6 | 10 | 6 | 10 | 6 | 10 | 3,500 | 3,500 | 3,500 |
| | 3,655 | 2,565 | 4,915 | 152 | 6 | 10 | 6 | 10 | 6 | 10 | 3,500 | 3,500 | 3,500 |
| | 3,805 | 2,640 | 5,065 | 152 | 6 | 10 | 6 | 10 | 6 | 10 | 3,500 | 3,500 | 3,500 |
| | 4,205 | 2,840 | 5,465 | 152 | 6 | 8 | 6 | 10 | 6 | 10 | 3,425 | 3,425 | 3,500 |
| | 4,805 | 3,140 | 6,065 | 152 | 6 | 3 | 6 | 8 | 6 | 8 | 3,250 | 3,275 | 3,375 |
| FF | 2,350 | 1,840 | 3,610 | 640 | 6 | 10 | 6 | 10 | 6 | 10 | 3,500 | 3,500 | 3,500 |
| | 2,720 | 2,025 | 3,980 | 825 | 6 | 10 | 6 | 10 | 6 | 10 | 3,500 | 3,500 | 3,500 |
| | 3,000 | 2,165 | 4,260 | 965 | 6 | 10 | 6 | 10 | 6 | 10 | 3,500 | 3,500 | 3,500 |
| | 3,495 | 2,415 | 4,755 | 1,215 | 6 | 10 | 6 | 10 | 6 | 10 | 3,500 | 3,500 | 3,500 |
| FFT | 3,555 | 1,890 | 4,815 | 690 | 6 | 8 | 6 | 8 | 6 | 8 | 3,400 | 3,400 | 3,400 |
| | 3,960 | 2,025 | 5,220 | 825 | 6 | 8 | 6 | 8 | 6 | 8 | 3,400 | 3,400 | 3,400 |
| | 4,380 | 2,165 | 5,640 | 965 | 6 | 5 | 6 | 8 | 6 | 8 | 3,375 | 3,375 | 3,400 |
| | 4,820 | 2,335 | 6,085 | 1,135 | 6 | 3 | 6 | 8 | 6 | 8 | 3,250 | 3,250 | 3,350 |
| | 5,205 | 2,515 | 6,465 | 1,315 | 6 | 3 | 6 | 8 | 6 | 5 | 2,600 | 3,150 | 3,250 |
| | 5,655 | 2,665 | 6,915 | 1,465 | 6 | 3 | 6 | 8 | 6 | 3 | 1,975 | 3,050 | 3,150 |



| | | | | | | | | | |
|---------------------|-------------------------|--|---|----------------|----------------|---------------|---------------|---------------|---------------|
| General Information | 1.2 | Model Designation | | | CG20N-7 | CG25N-7 | CG30N-7 | CG33N-7 | CG35NC-7 |
| | 1.3 | Drive | | | LPG/DF* | | | | |
| | 1.4 | Operator Type | | | Seated | | | | |
| | 1.5 | Load Capacity | Q | kg | 2,000 | 2,500 | 3,000 | 3,250 | 3,500 |
| | 1.6 | Load Centre | c | mm | 500 | | | | |
| | 1.8 | Load Distance: centre of drive axle to fork | x | mm | 480 | | 485 | | 495 |
| | 1.9 | Wheelbase | y | mm | 1,625 | | 1,700 | | |
| Weight | 2.1 | Service Weight | | kg | 3,635 | 4,010 | 4,510 | 4,715 | 4,800 |
| | 2.2 | Axle Loading, Laden Front/Rear | | kg | 4,915/720 | 5,645/865 | 6,525/965 | 6,930/1,035 | 7,330/970 |
| | 2.3 | Axle Loading, Unladen Front/Rear | | kg | 1,725/1,910 | 1,640/2,370 | 1,850/2,660 | 1,815/2,900 | 1,800/3,000 |
| Tyres | 3.1 | Tyres | | | P | | | | |
| | 3.2 | Tyre Size, Front | | | 7.00x15-12 | | 28x9x15-12 | | 250x15-18 |
| | 3.3 | Tyre Size, Rear | | | 6.50x10-10 | | | 6.50x10-12 | |
| | 3.5 | Wheels, Number Front/Rear (x = driven wheels) | | | 2/2 | | | | |
| | 3.6 | Tread, Front | b11 | mm | 975 | | 982 | | 1,026 |
| | 3.7 | Tread, Rear | b12 | mm | 1,000 | | | | |
| | Dimensions | 4.1 | Tilt of Mast/Fork Carriage Forward/Backward | α/β | ° | 6/10 | | | |
| 4.2 | | Height, Mast Lowered | h1 | mm | 2,175 | | 2,165 | | |
| 4.3 | | Free Lift | h2 | mm | 152 | | | | |
| 4.4 | | Lift | h3 | mm | 3,230 | | | 3,000 | |
| 4.5 | | Height, Mast Extended | h4 | mm | 4,490 | | | 4,260 | |
| 4.7 | | Height of Overhead Guard (cabin) | h6 | mm | 2,183 | | | | |
| 4.8 | | Height of Seat | h7 | mm | 1,026 | | | | |
| 4.19 | | Overall Length | l1 | mm | 3,565 | 3,630 | 3,744 | 3,774 | 3,809 |
| 4.20 | | Length to Forkface | l2 | mm | 2,530 | 2,595 | 2,700 | 2,730 | 2,765 |
| 4.21 | | Overall Width | b1/b2 | mm | 1,170 | | 1,197 | | 1,255 |
| 4.22 | | Fork Dimensions | s/e/l | mm | 45x100x1,050 | | 45x125x1,050 | | |
| 4.23 | | Fork Carriage ISO 2328, Class/Type A, B | | | II A | | III A | | |
| 4.24 | | Fork Carriage Width | b3 | mm | 1,103 | | 1,115 | | |
| 4.31 | | Ground Clearance, Laden, Below Mast | m1 | mm | 115 | | 105 | | |
| 4.32 | | Ground Clearance, Centre of Wheelbase | m2 | mm | 143 | | | | |
| 4.34.1 | | Aisle Width for Pallets 1,000 X 1,200 Crossways | Ast | mm | 3,905 | 3,950 | 4,050 | 4,080 | 4,115 |
| 4.34.2 | | Aisle Width for Pallets 800 x 1,200 Crossways | Ast | mm | 4,105 | 4,150 | 4,250 | 4,280 | 4,315 |
| 4.35 | Turning Radius | Wa | mm | 2,220 | 2,265 | 2,365 | 2,395 | 2,420 | |
| 4.36 | Internal Turning Radius | b13 | mm | 775 | | 761 | | | |
| Performance | 5.1 | Travel Speed, Laden/Unladen | | km/h | 19/20 | | 18/19 | | |
| | 5.2 | Lift Speed, Laden/Unladen | | m/s | 0.55/0.57 | 0.54/0.57 | 0.52/0.57 | 0.54/0.59 | 0.53/0.59 |
| | 5.3 | Lowering Speed, Laden/Unladen | | m/s | 0.51/0.46 | | | | |
| | 5.5 | Drawbar Pull, Laden/Unladen (@ 1.6Km/h) | | N | 18,480/18,195 | 18,265/18,125 | 19,035/18,795 | 18,935/18,750 | 18,385/18,140 |
| | 5.6 | Max. Drawbar Pull, Laden/Unladen | | N | 21,075/20,560 | 20,860/20,500 | 21,950/21,400 | 21,850/21,355 | 21,160/20,570 |
| | 5.7 | Gradeability, Laden/Unladen (@ 1.6Km/h) | | % | 36/- | 30.5/- | 27.5/- | 25.5/- | 23.5/- |
| | 5.8 | Max. Gradeability, Laden/Unladen | | % | 42/- | 35/- | 32/- | 30/- | 27/- |
| | 5.10 | Service Brake | | | Foot/Hydraulic | | | | |
| Engine | 7.1 | Engine Manufacturer/Model | | | GCT/K25 | | | | |
| | 7.2 | Engine Power according to DIN ISO1585 | | kW | 46.8 | | | | |
| | 7.3 | Rated Speed | | min-1 | 2,600 | | | | |
| | 7.3.1 | Torque at 1/min | | N•m | 190/1,700 | | | | |
| | 7.4 | Number of Cylinders/Displacement | | n/cm3 | 4/2,488 | | | | |
| | 7.10 | Battery Voltage/Normal Capacity | | V/Ah | 12/50 | | | | |
| Additional Data | 10.1 | Operating Pressure for attachments | | bar | 156 | | | | |
| | 10.2 | Oil Flow Rate for attachments | | l/min | 60 | | | | |
| | 10.4 | Fuel Tank Capacity | | l | 51 | | | | |
| | 10.7 | Sound Level at the driver's ear according to EN 12 053 | | dB(A) | 84 | | | | |

*DF = Dual Fuel (LPG & Gasoline)

| | 1.2 | Model Designation | | | CG20P-7 | CG25P-7 | CG30P-7 | CG33P-7 | CG35C-7 | | |
|---------------------|-------------------------|---|---|----------------|----------------|----------------|---------------|---------------|---------------|-------|--|
| General Information | 1.3 | Drive | | | LPG | | | | | | |
| | 1.4 | Operator Type | | | Seated | | | | | | |
| | 1.5 | Load Capacity | Q | kg | 2,000 | 2,500 | 3,000 | 3,250 | 3,500 | | |
| | 1.6 | Load Centre | c | mm | 500 | | | | | | |
| | 1.8 | Load Distance: centre of drive axle to fork | x | mm | 485 | | | | | | |
| | 1.9 | Wheelbase | y | mm | 1,625 | | | 1,700 | | | |
| | Weight | 2.1 | Service Weight | | kg | 3,620 | 3,990 | 4,430 | 4,610 | 4,800 | |
| 2.2 | | Axle Loading, Laden Front/Rear | | kg | 4,980/640 | 5,710/780 | 6,580/850 | 6,930/930 | 7,340/960 | | |
| 2.3 | | Axle Loading, Unladen Front/Rear | | kg | 1,750/1,860 | 1,680/2,310 | 1,830/2,600 | 1,820/2,890 | 1,800/3,000 | | |
| Tyres | 3.1 | Tyres | | | P | | | | | | |
| | 3.2 | Tyre Size, Front | | | 7.00x15-12 | | 28x9x15-12 | | 250x15-18 | | |
| | 3.3 | Tyre Size, Rear | | | 6.50x10-10 | | | 6.50x10-12 | | | |
| | 3.5 | Wheels, Number Front/Rear (x = driven wheels) | | | 2/2 | | | | | | |
| | 3.6 | Tread, Front | b11 | mm | 975 | | 982 | | 1,026 | | |
| | 3.7 | Tread, Rear | b12 | mm | 1,000 | | | | | | |
| | Dimensions | 4.1 | Tilt of Mast/Fork Carriage Forward/Backward | α/β | $^{\circ}$ | 6/10 | | | | | |
| 4.2 | | Height, Mast Lowered | h1 | mm | 2,175 | | 2,165 | | | | |
| 4.3 | | Free Lift | h2 | mm | 152 | | | | | | |
| 4.4 | | Lift | h3 | mm | 3,230 | | | | | | |
| 4.5 | | Height, Mast Extended | h4 | mm | 4,490 | | | | | | |
| 4.7 | | Height of Overhead Guard (cabin) | h6 | mm | 2,183 | | | | | | |
| 4.8 | | Height of Seat | h7 | mm | 1,026 | | | | | | |
| 4.19 | | Overall Length | l1 | mm | 3,565 | 3,630 | 3,744 | | 3,809 | | |
| 4.20 | | Length to Forkface | l2 | mm | 2,530 | 2,595 | 2,700 | 2,730 | 2,765 | | |
| 4.21 | | Overall Width | b1/b2 | mm | 1,170 | | | 1,197 | | 1,255 | |
| 4.22 | | Fork Dimensions | s/e/l | mm | 40x100x1,050 | | | | | | |
| 4.23 | | Fork Carriage ISO 2328, Class/Type A, B | | | II A | | | | | | |
| 4.24 | | Fork Carriage Width | b3 | mm | 1,103 | | | | | | |
| 4.31 | | Ground Clearance, Laden, Below Mast | m1 | mm | 115 | | | | | | |
| 4.32 | | Ground Clearance, Centre of Wheelbase | m2 | mm | 143 | | | | | | |
| 4.34.1 | | Aisle Width for Pallets 1,000 X 1,200 Crossways | Ast | mm | 3,800 | 3,845 | 3,950 | 3,980 | 4,015 | | |
| 4.34.2 | | Aisle Width for Pallets 800 x 1,200 Crossways | Ast | mm | 3,600 | 3,645 | 3,750 | 3,780 | 3,815 | | |
| 4.35 | Turning Radius | Wa | mm | 2,220 | 2,265 | 2,365 | 2,395 | 2,420 | | | |
| 4.36 | Internal Turning Radius | b13 | mm | 775 | | | 761 | | | | |
| Performance | 5.1 | Travel Speed, Laden/Unladen | | km/h | 19/19.5 | | 18/18.5 | | 18.5/19 | | |
| | 5.2 | Lift Speed, Laden/Unladen | | m/s | 0.57/0.61 | 0.56/0.61 | 0.55/0.61 | 0.57/0.64 | 0.55/0.64 | | |
| | 5.3 | Lowering Speed, Laden/Unladen | | m/s | 0.51/0.46 | | | | | | |
| | 5.5 | Drawbar Pull, Laden/Unladen (@ 1.6Km/h) | | N | 15,810/15,640 | 15,600/15,570 | 16,220/16,120 | 16,120/16,080 | 15,630/15,550 | | |
| | 5.6 | Max. Drawbar Pull, Laden/Unladen | | N | 18,260/17,880 | 18,050/17,810 | 18,970/18,580 | 18,870/18,540 | 18,250/17,850 | | |
| | 5.7 | Gradeability, Laden/Unladen (@ 1.6Km/h) | | % | 30.5/50.5 | 25.5/44.0 | 23.0/40.5 | 22.0/39.0 | 20.0/35.5 | | |
| | 5.8 | Max. Gradeability, Laden/Unladen | | % | 35.5/59.5 | 30.0/52.0 | 27.0/48.0 | 25.5/46.0 | 23.0/41.5 | | |
| | 5.10 | Service Brake | | | Foot/Hydraulic | | | | | | |
| | Engine | 7.1 | Engine Manufacturer/Model | | | MITSU/G242P(E) | | | | | |
| | | 7.2 | Engine Power according to DIN ISO1585 | | kW | 49 | | | | | |
| 7.3 | | Rated Speed | | min-1 | 2,600 | | | | | | |
| 7.3.1 | | Torque at 1/min | | N•m | 183/2,000 | | | | | | |
| 7.4 | | Number of Cylinders/Displacement | | n/cm3 | 4/2,351 | | | | | | |
| 7.10 | | Battery Voltage/Normal Capacity | | V/Ah | 12/65 | | | | | | |
| Additional Data | 10.1 | Operating Pressure for attachments | | bar | 156 | | | | | | |
| | 10.2 | Oil Flow Rate for attachments | | l/min | 60 | | | | | | |
| | 10.4 | Fuel Tank Capacity | | l | 51 | | | | | | |

MAST SPECIFICATIONS & RATED CAPACITIES

CG20N-7 & P-7

| Mast Type | Maximum Fork Height | Maximum Lowered Height | Fully Extended Height | Free Lift | Rated Load Capacities | | | | | | | | |
|-----------|---------------------|------------------------|-----------------------|-----------|-----------------------|--------------------|-------------|-----|--------------|-----|-------------|-------------|-----------------|
| | | | | | With Load Backrest | With Load Backrest | Tilt Angle | | | | | | Load Capacities |
| | | | Single Pneu | | | | Double Pneu | | Single Solid | | Single Pneu | Double Pneu | Single Solid |
| | | | FWD | BWD | | | FWD | BWD | FWD | BWD | LC 500mm | LC 500mm | LC 500mm |
| mm | mm | mm | mm | deg | deg | deg | deg | deg | deg | kg | kg | kg | |
| STD | 2,030 | 1,575 | 3,290 | 147 | 6 | 10 | 6 | 10 | 6 | 10 | 2,000 | 2,000 | 2,000 |
| | 2,580 | 1,850 | 3,840 | 147 | 6 | 10 | 6 | 10 | 6 | 10 | 2,000 | 2,000 | 2,000 |
| | 2,950 | 2,035 | 4,210 | 147 | 6 | 10 | 6 | 10 | 6 | 10 | 2,000 | 2,000 | 2,000 |
| | 3,230 | 2,175 | 4,490 | 147 | 6 | 10 | 6 | 10 | 6 | 10 | 2,000 | 2,000 | 2,000 |
| | 3,500 | 2,425 | 4,765 | 147 | 6 | 10 | 6 | 10 | 6 | 10 | 2,000 | 2,000 | 2,000 |
| | 3,800 | 2,575 | 5,065 | 147 | 6 | 10 | 6 | 10 | 6 | 10 | 2,000 | 2,000 | 2,000 |
| | 3,950 | 2,650 | 5,215 | 147 | 6 | 10 | 6 | 10 | 6 | 10 | 2,000 | 2,000 | 2,000 |
| | 4,350 | 2,850 | 5,615 | 147 | 6 | 10 | 6 | 10 | 6 | 10 | 2,000 | 2,000 | 2,000 |
| | 4,960 | 3,150 | 6,215 | 147 | 6 | 5 | 6 | 10 | 6 | 10 | 1,900 | 1,925 | 1,975 |
| FF | 2,580 | 1,850 | 3,840 | 645 | 6 | 10 | 6 | 10 | 6 | 10 | 2,000 | 2,000 | 2,000 |
| | 2,950 | 2,035 | 4,210 | 830 | 6 | 10 | 6 | 10 | 6 | 10 | 2,000 | 2,000 | 2,000 |
| | 3,230 | 2,175 | 4,490 | 970 | 6 | 10 | 6 | 10 | 6 | 10 | 2,000 | 2,000 | 2,000 |
| | 3,600 | 2,425 | 4,865 | 1,220 | 6 | 10 | 6 | 10 | 6 | 10 | 2,000 | 2,000 | 2,000 |
| FFT | 3,900 | 1,875 | 5,165 | 670 | 6 | 8 | 6 | 8 | 6 | 8 | 2,000 | 2,000 | 2,000 |
| | 4,290 | 2,015 | 5,570 | 805 | 6 | 8 | 6 | 8 | 6 | 8 | 2,000 | 2,000 | 2,000 |
| | 4,730 | 2,150 | 5,990 | 945 | 6 | 8 | 6 | 8 | 6 | 8 | 1,950 | 1,950 | 2,000 |
| | 4,805 | 2,175 | 6,065 | 970 | 6 | 5 | 6 | 8 | 6 | 8 | 1,950 | 1,925 | 2,000 |
| | 5,560 | 2,500 | 6,815 | 1,295 | 6 | 3 | 6 | 8 | 6 | 8 | 1,650 | 1,825 | 1,875 |
| | 6,010 | 2,650 | 7,265 | 1,445 | 6 | 3 | 6 | 8 | 6 | 5 | 1,300 | 1,750 | 1,825 |

CG25N-7 & P-7

| | | | | | | | | | | | | | |
|-----|-------|-------|-------|-------|---|----|---|----|---|----|-------|-------|-------|
| STD | 2,030 | 1,575 | 3,290 | 147 | 6 | 10 | 6 | 10 | 6 | 10 | 2,500 | 2,500 | 2,500 |
| | 2,580 | 1,850 | 3,840 | 147 | 6 | 10 | 6 | 10 | 6 | 10 | 2,500 | 2,500 | 2,500 |
| | 2,950 | 2,035 | 4,210 | 147 | 6 | 10 | 6 | 10 | 6 | 10 | 2,500 | 2,500 | 2,500 |
| | 3,230 | 2,175 | 4,490 | 147 | 6 | 10 | 6 | 10 | 6 | 10 | 2,500 | 2,500 | 2,500 |
| | 3,500 | 2,425 | 4,765 | 147 | 6 | 10 | 6 | 10 | 6 | 10 | 2,500 | 2,500 | 2,500 |
| | 3,800 | 2,575 | 5,065 | 147 | 6 | 10 | 6 | 10 | 6 | 10 | 2,500 | 2,500 | 2,500 |
| | 3,950 | 2,650 | 5,215 | 147 | 6 | 10 | 6 | 10 | 6 | 10 | 2,500 | 2,500 | 2,500 |
| | 4,350 | 2,850 | 5,615 | 147 | 6 | 5 | 6 | 10 | 6 | 10 | 2,500 | 2,500 | 2,500 |
| | 4,960 | 3,150 | 6,215 | 147 | 6 | 3 | 6 | 10 | 6 | 10 | 2,075 | 2,450 | 2,500 |
| FF | 2,580 | 1,850 | 3,840 | 645 | 6 | 10 | 6 | 10 | 6 | 10 | 2,500 | 2,500 | 2,500 |
| | 2,950 | 2,035 | 4,210 | 830 | 6 | 10 | 6 | 10 | 6 | 10 | 2,500 | 2,500 | 2,500 |
| | 3,230 | 2,175 | 4,490 | 970 | 6 | 10 | 6 | 10 | 6 | 10 | 2,500 | 2,500 | 2,500 |
| | 3,600 | 2,425 | 4,865 | 1,220 | 6 | 10 | 6 | 10 | 6 | 10 | 2,500 | 2,500 | 2,500 |
| FFT | 3,900 | 1,875 | 5,165 | 670 | 6 | 8 | 6 | 8 | 6 | 8 | 2,500 | 2,500 | 2,500 |
| | 4,290 | 2,015 | 5,570 | 805 | 6 | 8 | 6 | 8 | 6 | 8 | 2,500 | 2,500 | 2,500 |
| | 4,730 | 2,150 | 5,990 | 945 | 6 | 3 | 6 | 8 | 6 | 8 | 2,450 | 2,500 | 2,500 |
| | 4,805 | 2,175 | 6,065 | 970 | 6 | 3 | 6 | 8 | 6 | 8 | 2,350 | 2,475 | 2,475 |
| | 5,560 | 2,500 | 6,815 | 1,295 | 6 | 3 | 6 | 8 | 6 | 8 | 1,525 | 2,325 | 2,400 |
| | 6,010 | 2,650 | 7,265 | 1,445 | 6 | 3 | 6 | 8 | 6 | 5 | 1,175 | 2,250 | 2,300 |

CG30N-7 & P-7

| | | | | | | | | | | | | | |
|-----|-------|-------|-------|-------|---|----|---|----|---|----|-------|-------|-------|
| STD | 2,030 | 1,565 | 3,290 | 152 | 6 | 10 | 6 | 10 | 6 | 10 | 3,000 | 3,000 | 3,000 |
| | 2,580 | 1,840 | 3,840 | 152 | 6 | 10 | 6 | 10 | 6 | 10 | 3,000 | 3,000 | 3,000 |
| | 2,950 | 2,025 | 4,210 | 152 | 6 | 10 | 6 | 10 | 6 | 10 | 3,000 | 3,000 | 3,000 |
| | 3,230 | 2,175 | 4,490 | 152 | 6 | 10 | 6 | 10 | 6 | 10 | 3,000 | 3,000 | 3,000 |
| | 3,500 | 2,415 | 4,765 | 152 | 6 | 10 | 6 | 10 | 6 | 10 | 3,000 | 3,000 | 3,000 |
| | 3,800 | 2,565 | 5,065 | 152 | 6 | 10 | 6 | 10 | 6 | 10 | 3,000 | 3,000 | 3,000 |
| | 3,950 | 2,640 | 5,215 | 152 | 6 | 10 | 6 | 10 | 6 | 10 | 3,000 | 3,000 | 3,000 |
| | 4,350 | 2,840 | 5,615 | 152 | 6 | 5 | 6 | 10 | 6 | 10 | 3,000 | 3,000 | 3,000 |
| | 4,960 | 3,140 | 6,215 | 152 | 6 | 3 | 6 | 10 | 6 | 10 | 2,525 | 2,900 | 2,975 |
| FF | 2,580 | 1,840 | 3,840 | 640 | 6 | 10 | 6 | 10 | 6 | 10 | 3,000 | 3,000 | 3,000 |
| | 2,950 | 2,025 | 4,210 | 825 | 6 | 10 | 6 | 10 | 6 | 10 | 3,000 | 3,000 | 3,000 |
| | 3,230 | 2,165 | 4,490 | 965 | 6 | 10 | 6 | 10 | 6 | 10 | 3,000 | 3,000 | 3,000 |
| | 3,600 | 2,415 | 4,865 | 1,215 | 6 | 10 | 6 | 10 | 6 | 10 | 3,000 | 3,000 | 3,000 |
| FFT | 3,900 | 1,890 | 5,165 | 690 | 6 | 8 | 6 | 8 | 6 | 8 | 2,900 | 2,900 | 2,900 |
| | 4,290 | 2,025 | 5,570 | 825 | 6 | 5 | 6 | 8 | 6 | 8 | 2,900 | 2,900 | 2,900 |
| | 4,730 | 2,165 | 5,990 | 965 | 6 | 3 | 6 | 8 | 6 | 8 | 2,900 | 2,900 | 2,900 |
| | 4,805 | 2,190 | 6,065 | 990 | 6 | 3 | 6 | 8 | 6 | 8 | 2,825 | 2,900 | 2,900 |
| | 5,560 | 2,515 | 6,815 | 1,315 | 6 | 3 | 6 | 8 | 6 | 5 | 1,850 | 2,750 | 2,825 |
| | 6,010 | 2,665 | 7,265 | 1,465 | 6 | 3 | 6 | 5 | 6 | 3 | 1,425 | 2,675 | 2,750 |

Note : Mast Specifications & Rated Capacities are based on standard chassis with dual pneumatic tyre and without side shifter.

MAST SPECIFICATIONS & RATED CAPACITIES cont

CG33N-7 & P-7

| Mast Type | Maximum Fork Height | Maximum Lowered Height | Fully Extended Height | Free Lift | Rated Load Capacities | | | | | | | | |
|-----------|---------------------|------------------------|-----------------------|--------------------|-----------------------|-----|-------------|-----|--------------|-----|-----------------|-------------|--------------|
| | | | With Load Backrest | With Load Backrest | Tilt Angle | | | | | | Load Capacities | | |
| | | | | | Single Pneu | | Double Pneu | | Single Solid | | Single Pneu | Double Pneu | Single Solid |
| | | | | | FWD | BWD | FWD | BWD | FWD | BWD | LC 500mm | LC 500mm | LC 500mm |
| mm | mm | mm | mm | deg | deg | deg | deg | deg | deg | kg | kg | kg | |
| STD | 2,030 | 1,565 | 3,290 | 152 | 6 | 10 | 6 | 10 | 6 | 10 | 3,250 | 3,250 | 3,250 |
| | 2,580 | 1,840 | 3,840 | 152 | 6 | 10 | 6 | 10 | 6 | 10 | 3,250 | 3,250 | 3,250 |
| | 2,950 | 2,025 | 4,210 | 152 | 6 | 10 | 6 | 10 | 6 | 10 | 3,250 | 3,250 | 3,250 |
| | 3,230 | 2,165 | 4,490 | 152 | 6 | 10 | 6 | 10 | 6 | 10 | 3,250 | 3,250 | 3,250 |
| | 3,500 | 2,415 | 4,765 | 152 | 6 | 10 | 6 | 10 | 6 | 10 | 3,250 | 3,250 | 3,250 |
| | 3,800 | 2,565 | 5,065 | 152 | 6 | 10 | 6 | 10 | 6 | 10 | 3,250 | 3,250 | 3,250 |
| | 3,950 | 2,640 | 5,215 | 152 | 6 | 10 | 6 | 10 | 6 | 10 | 3,175 | 3,250 | 3,250 |
| | 4,350 | 2,840 | 5,615 | 152 | 6 | 5 | 6 | 10 | 6 | 10 | 3,175 | 3,250 | 3,250 |
| | 4,960 | 3,140 | 6,215 | 152 | 6 | 3 | 6 | 10 | 6 | 8 | 2,450 | 3,125 | 3,200 |
| FF | 2,580 | 1,840 | 3,840 | 640 | 6 | 10 | 6 | 10 | 6 | 10 | 3,250 | 3,250 | 3,250 |
| | 2,950 | 2,025 | 4,210 | 825 | 6 | 10 | 6 | 10 | 6 | 10 | 3,250 | 3,250 | 3,250 |
| | 3,230 | 2,165 | 4,490 | 965 | 6 | 10 | 6 | 10 | 6 | 10 | 3,250 | 3,250 | 3,250 |
| | 3,600 | 2,415 | 4,865 | 1,215 | 6 | 10 | 6 | 10 | 6 | 10 | 3,250 | 3,250 | 3,250 |
| FFT | 3,900 | 1,890 | 5,165 | 690 | 6 | 8 | 6 | 8 | 6 | 8 | 3,250 | 3,250 | 3,250 |
| | 4,290 | 2,025 | 5,570 | 825 | 6 | 8 | 6 | 8 | 6 | 8 | 3,250 | 3,250 | 3,250 |
| | 4,730 | 2,165 | 5,990 | 965 | 6 | 3 | 6 | 8 | 6 | 8 | 2,900 | 3,175 | 3,250 |
| | 5,560 | 2,515 | 6,815 | 1,315 | 6 | 3 | 6 | 8 | 6 | 5 | 1,750 | 2,975 | 3,050 |
| | 6,010 | 2,665 | 7,265 | 1,465 | 6 | 3 | 6 | 5 | 6 | 3 | 1,350 | 2,875 | 2,950 |

CG35NC-7 & C-7

| | | | | | | | | | | | | | |
|-----|-------|-------|-------|-------|---|----|---|----|---|----|-------|-------|-------|
| STD | 1,800 | 1,565 | 3,290 | 152 | 6 | 10 | 6 | 10 | 6 | 10 | 3,500 | 3,500 | 3,500 |
| | 2,350 | 1,840 | 3,610 | 152 | 6 | 10 | 6 | 10 | 6 | 10 | 3,500 | 3,500 | 3,500 |
| | 2,720 | 2,025 | 3,980 | 152 | 6 | 10 | 6 | 10 | 6 | 10 | 3,500 | 3,500 | 3,500 |
| | 3,000 | 2,165 | 4,260 | 152 | 6 | 10 | 6 | 10 | 6 | 10 | 3,500 | 3,500 | 3,500 |
| | 3,495 | 2,415 | 4,760 | 152 | 6 | 10 | 6 | 10 | 6 | 10 | 3,500 | 3,500 | 3,500 |
| | 3,655 | 2,565 | 4,915 | 152 | 6 | 10 | 6 | 10 | 6 | 10 | 3,500 | 3,500 | 3,500 |
| | 3,805 | 2,640 | 5,065 | 152 | 6 | 10 | 6 | 10 | 6 | 10 | 3,500 | 3,500 | 3,500 |
| | 4,205 | 2,840 | 5,465 | 152 | 6 | 8 | 6 | 10 | 6 | 10 | 3,425 | 3,425 | 3,500 |
| | 4,805 | 3,140 | 6,065 | 152 | 6 | 3 | 6 | 8 | 6 | 8 | 3,250 | 3,275 | 3,375 |
| FF | 2,350 | 1,840 | 3,610 | 640 | 6 | 10 | 6 | 10 | 6 | 10 | 3,500 | 3,500 | 3,500 |
| | 2,720 | 2,025 | 3,980 | 825 | 6 | 10 | 6 | 10 | 6 | 10 | 3,500 | 3,500 | 3,500 |
| | 3,000 | 2,165 | 4,260 | 965 | 6 | 10 | 6 | 10 | 6 | 10 | 3,500 | 3,500 | 3,500 |
| | 3,495 | 2,415 | 4,755 | 1,215 | 6 | 10 | 6 | 10 | 6 | 10 | 3,500 | 3,500 | 3,500 |
| FFT | 3,555 | 1,890 | 4,815 | 690 | 6 | 8 | 6 | 8 | 6 | 8 | 3,400 | 3,400 | 3,400 |
| | 3,960 | 2,025 | 5,220 | 825 | 6 | 8 | 6 | 8 | 6 | 8 | 3,400 | 3,400 | 3,400 |
| | 4,380 | 2,165 | 5,640 | 965 | 6 | 5 | 6 | 8 | 6 | 8 | 3,375 | 3,375 | 3,400 |
| | 4,820 | 2,335 | 6,085 | 1,135 | 6 | 3 | 6 | 8 | 6 | 8 | 3,250 | 3,250 | 3,350 |
| | 5,205 | 2,515 | 6,465 | 1,315 | 6 | 3 | 6 | 8 | 6 | 5 | 2,600 | 3,150 | 3,250 |
| | 5,655 | 2,665 | 6,915 | 1,465 | 6 | 3 | 6 | 8 | 6 | 3 | 1,975 | 3,050 | 3,150 |

Note : Mast Specifications & Rated Capacities are based on standard chassis with dual pneumatic tyre and without side shifter.



C-G / C-D
2000-3500

Specifications



crown.com

Crown Equipment Pty Ltd Australia
15 Cooper Street, Smithfield NSW 2164
Tel +61 2 8788 0000
crowninfo@crown.com

Crown Equipment Ltd New Zealand
18 Andromeda Crescent, East Tamaki
Tel (Toll Free) 0800 802 002
contact.newzealand@crown.com

Crown Equipment (Singapore) Pte. Ltd.
15 Tuas Avenue 8, Singapore 639230
Tel +65 6690 1888
contact.singapore@crown.com

Crown Equipment (Thailand) Co., Ltd.
222 / 6-7 Moo 5, Baan Rakard, Bangboa
Samutprakarn, 10560
Tel +66 2-118 3222
contact.thailand@crown.com

Crown Equipment Sdn. Bhd. Malaysia
No 9, Persiaran Pasak Bumi, Seksyen U8
Bukit Jelutong, 40150 Shah Alam
Selangor Darul Ehsan
Tel +60 3 5033 8500
contact.malaysia@crown.com

Because Crown is continually improving its products, specifications are subject to change without notice.

Notice: Not all products and product features are available in all countries in which this literature is published.

Crown, the Crown logo, the color beige, the Momentum symbol, InfoLink and Integrity Service System are trademarks of Crown Equipment Corporation in the United States and other countries.

Copyright 2017 Crown Equipment Corporation
Printed in Australia. 1907.2450 ASF0262