

CROWN

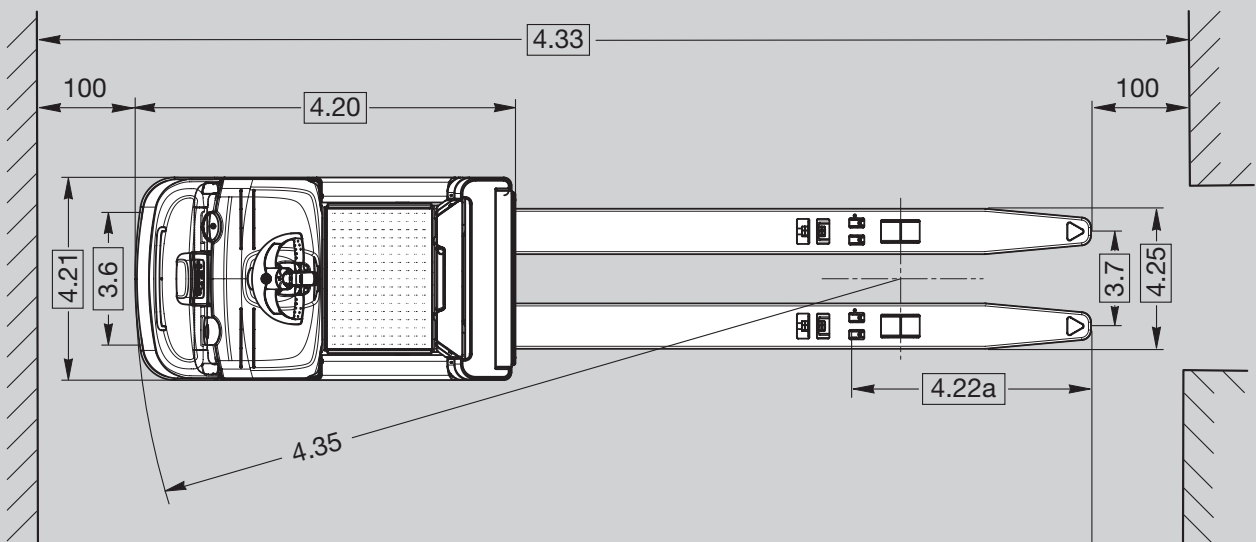
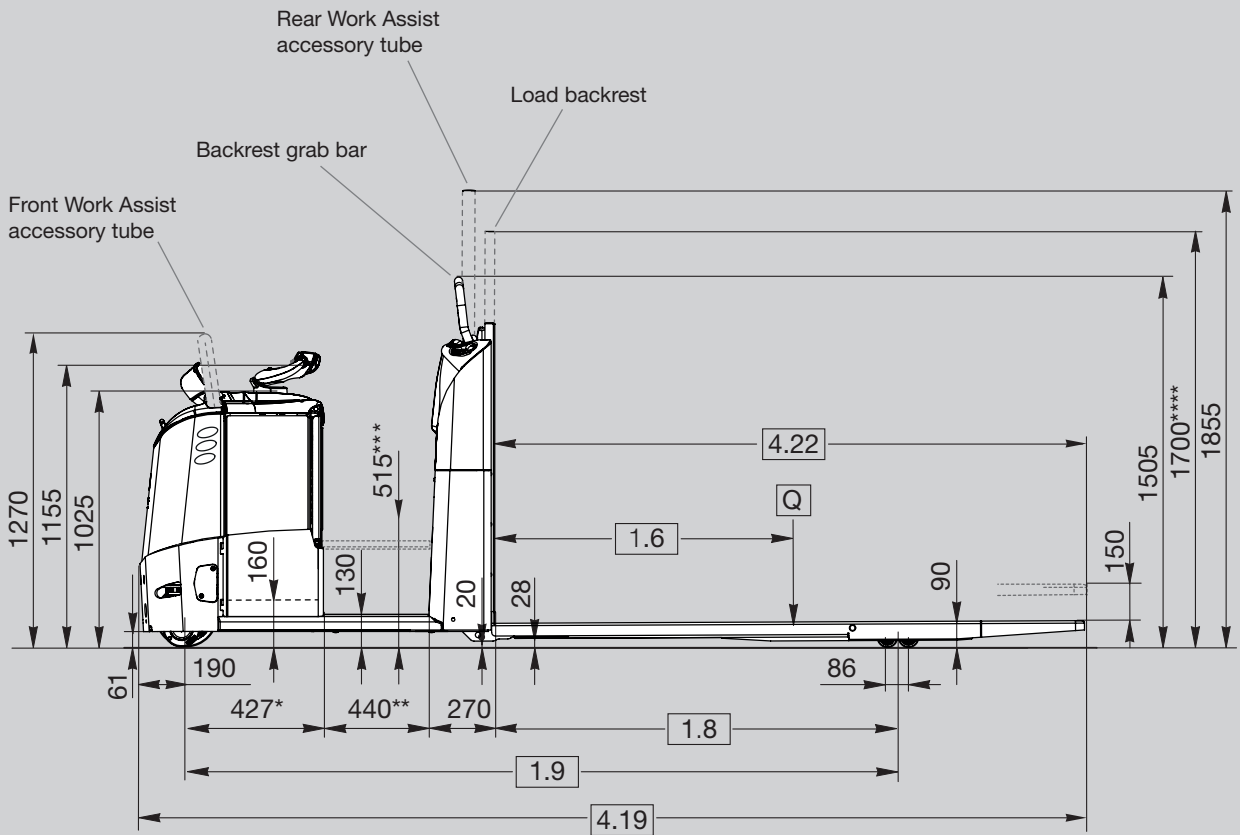
# GPC 3000 SERIES

## Specifications

Low Level Order Picker



GPC 3040 und 3060



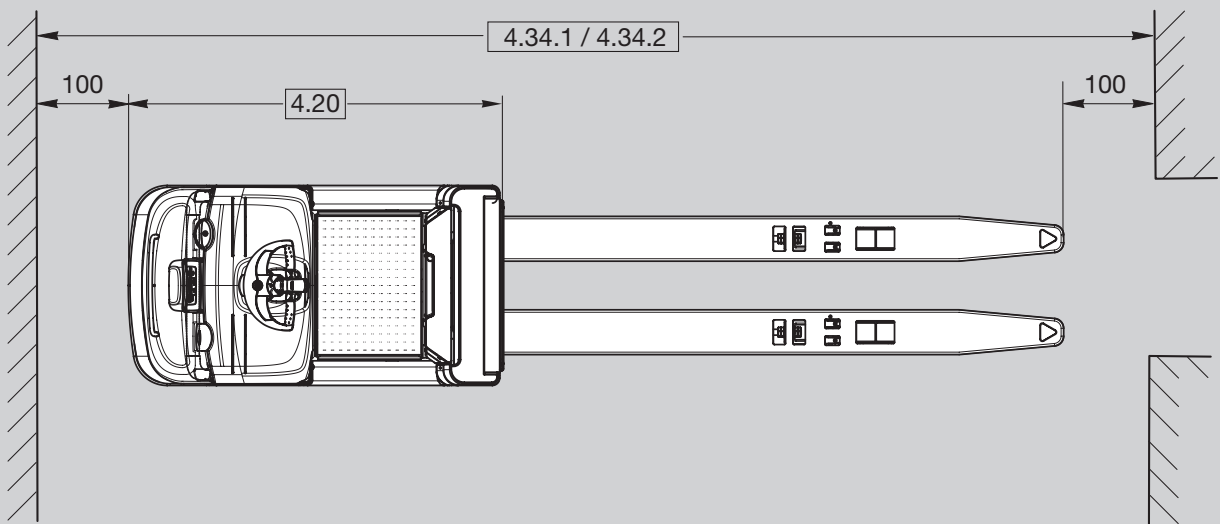
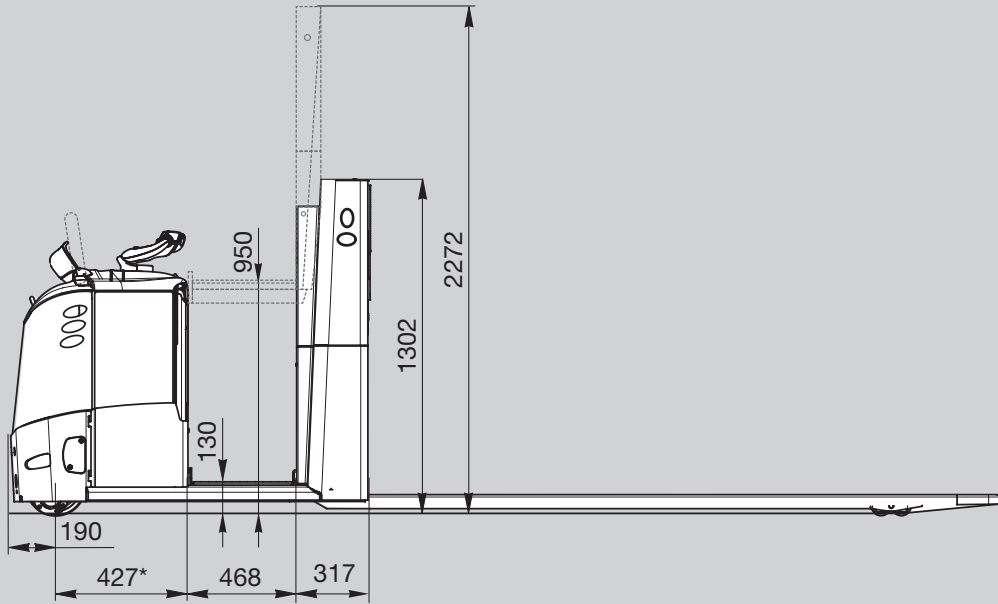
\* Large battery compartment = 547 mm (optional on GPC 3040 standard on GPC 3060)

\*\* Extended operator platform = 515 mm (GPC 3040/3060)

\*\*\* On extended operator platform the operator step height = 442 mm (GPC 3040/3060)

\*\*\*\* With optional load backrest (1800 mm) + 90 mm

GPC 3040 and 3060 with optional platform lift



\* Large battery compartment = 547 mm (optional on GPC 3040, standard on GPC 3060)

Distinguishing Mark	1.1	<b>Manufacturer</b>			Crown Equipment Corporation				
	1.2	<b>Model</b>			GPC 3040-2.0	GPC 3060-2.7			
	1.3	<b>Power Source</b>			electric				
	1.4	<b>Operator Type</b>			order picker				
	1.5	<b>Rated Capacity</b>		Q	t	2.0	2.7		
	1.6	<b>Load Center</b>		c	mm	see table 1	see table 2		
	1.8	<b>Load Distance</b>	lowered	x	mm	see table 1	see table 2		
	1.9	<b>Wheelbase</b>	lowered	y	mm	see table 1	see table 2		
	Weight	2.1	<b>Service Weight</b>	less battery		kg	see table 1	see table 2	
2.2		<b>Axle Load</b>	with load, front / rear		kg	see table 1	see table 2		
2.3			without load, front / rear		kg	see table 1	see table 2		
Tyres/Wheels/Chassis	3.1	<b>Tyres</b>				Vulkollan			
	3.2	<b>Tyre Size</b>	front		mm	Ø 250 x 75			
	3.3		rear		mm	Ø 82 x 82 <sup>4</sup>	Ø 82 x 130		
	3.4	<b>Additional Wheels</b>	castor wheel		mm	Ø 150 x 60			
	3.5	<b>Wheels</b>	number front/rear (x=driven wheels)			1x +1 / 4 <sup>4</sup>	1x +1 / 2		
	3.6	<b>Tread</b>	front	b10	mm	492			
	3.7		rear	b11	mm	340 / 360 / 380 / 500	310 / 330 / 350 / 470		
Dimensions	4.4	<b>Lift Height</b>		h3	mm	150			
	4.8	<b>Seat Height relating to SIP/StandHeight</b>			h7	mm	130		
	4.9	<b>Height Control Handle in Driving Position</b>			h14	mm	1160		
	4.15	<b>Fork Height</b>	lowered	h13	mm	90			
	4.19	<b>Overall Length</b>		l1	mm	see table 1	see table 2		
	4.20	<b>Head Length</b>		l2	mm	see table 1	see table 2		
	4.21	<b>Overall Width</b>		b1	mm	810			
	4.22	<b>Fork Dimension</b>		s x e x l	mm	78 x 180 x 2400	82 x 210 x 2400		
	4.22a	<b>Fork Tip Length</b>			mm	see table 1	see table 2		
	4.25	<b>Fork Spread</b>		b5	mm	520 / 540 / 560 / 680			
	4.31	<b>Ground Clearance</b>	below mast	m1	mm	20			
	4.32		centre wheelbase	m2	mm	28			
	4.34.1	<b>Aisle Width<sup>1</sup></b>	2 Euro Pallets length, raised	Ast	mm	3925	4045		
	4.34.2								
	4.35	<b>Turning Radius</b>	lowered	Wa	mm	see table 1	see table 2		
Performance Data	5.1	<b>Travel Speed<sup>3</sup></b>	with / without load		km/h	9.5 / 12.5	9.0 / 12.5	8.5 / 12.5	
	5.2	<b>Lift Speed</b>	with / without load		m/s	0.05 / 0.06	0.06 / 0.08		
	5.3	<b>Lowering Speed</b>	with / without load		m/s	0.07 / 0.07			
	5.7	<b>Gradeability</b>	w. / w.o. load 30 min. rating		%	5 / 14	5 / 16		
	5.8	<b>Max. Gradeability</b>	w. / w.o. load 5 min. rating		%	8 / 15	9 / 15		
	5.10	<b>Service Brake</b>				electric			
Electric Motor	6.1	<b>Traction Motor</b>	rating at S2 60 Min.		kW	4.0	3.9		
	6.2	<b>Pump Motor</b>	rating at S3 9 %		kW	1.3 <sup>2</sup>	2.2		
	6.3	<b>Max. Battery Box Size</b>	DIN 43535	l x b x h	mm	210x790x784 (330x790x784)		330x790x784	
	6.4	<b>Battery Voltage</b>	nominal capacity K5		V/Ah	24 / 420 - 465 (560 - 620)		24 / 560 - 620	
	6.5	<b>Battery Weight</b>			kg	349 - 402 (465 - 534)		465 - 534	
8.1	<b>Drive Unit</b>				transistor				

<sup>1</sup> Ast calculation based on standard truck configuration with 2400 mm fork length and 944 mm fork tip length

<sup>2</sup> With optional platform lift 2.2 kW

<sup>3</sup> Power Unit first

<sup>4</sup> Single Load wheel Dia 82 x 110, number wheels front/rear (driven = X) 1x +1/2

Table 1 GPC 3040 Standard: 465 Ah / 440 mm platform

1.6	<b>Load Centre</b>	c	mm	500	550	600	750	800	800	1100	1200	1200	1200	1250	1250	1440	
1.8	<b>Load Distance, lowered <sup>1</sup></b>	x	mm	770	870	920	1220	1090	1000	1390	1890	1800	1640	1815	1865	2120	
1.9	<b>Wheelbase, lowered <sup>1235</sup></b>	y	mm	1905	2005	2055	2355	2225	2135	2525	3025	2935	2775	2955	3005	3525	
2.1	<b>Service Weight <sup>46</sup></b>	less battery	kg	837	848	854	888	905	905	967	995	995	995	1001	1006	1049	
2.2	<b>Axle Load</b>	w. load	front	kg	1078	1138	1143	1296	1142	1052	1185	1491	1434	1321	1431	1450	1505
			rear	kg	2139	2090	2091	1972	2143	2233	2162	1884	1941	2054	1949	1936	1924
2.3	<b>Axle Load</b>	w. o. load	front	kg	795	820	832	897	882	865	956	1036	1025	1005	1030	1039	1088
			rear	kg	422	409	402	371	403	420	390	339	350	370	351	348	341
4.19	<b>Overall Length <sup>235</sup></b>	l1	mm	2325	2425	2475	2775	2925	2925	3475	3725	3725	3725	3775	3825	4205	
4.20	<b>Head Length <sup>235</sup></b>	l2	mm	1327													
4.22	<b>Fork Dimensions</b>	l	mm	<b>1000</b>	<b>1100</b>	<b>1150</b>	<b>1450</b>	<b>1600</b>	<b>1600</b>	<b>2150</b>	<b>2400</b>	<b>2400</b>	<b>2400</b>	<b>2450</b>	<b>2500</b>	<b>2880</b>	
4.22a	<b>Fork Tip Length</b>		mm	<b>413</b>	<b>413</b>	<b>413</b>	<b>413</b>	<b>693<sup>7</sup></b>	<b>783</b>	<b>944</b>	<b>693<sup>7</sup></b>	<b>783</b>	<b>944</b>	<b>815</b>	<b>815</b>	<b>944</b>	
4.25	<b>Fork Spread</b>	b5	mm	<b>520 / 540 / 560 / 680</b>													
4.35	<b>Turning Radius, lowered <sup>1235</sup></b>	Wa	mm	2095	2195	2245	2545	2415	2325	2715	3215	3125	2965	3145	3195	3445	

Table 2 GPC 3060 Standard: 620 Ah / 440 mm platform

1.6	<b>Load Centre</b>	c	mm	800	1100	1200	1200	1200	1340	1440	
1.8	<b>Load Distance, lowered <sup>1</sup></b>	x	mm	1000	1390	1890	1800	1640	1920	2120	
1.9	<b>Wheelbase, lowered <sup>1235</sup></b>	y	mm	2255	2645	3145	3055	2895	3175	3375	
2.1	<b>Service Weight <sup>46</sup></b>	less battery	kg	912	974	1002	1002	1002	1069	1092	
2.2	<b>Axle Load</b>	w. load	front	kg	1220	1369	1745	1673	1532	1627	1697
			rear	kg	2897	2810	2462	2534	2675	2447	2400
2.3	<b>Axle Load</b>	w. o. load	front	kg	981	1074	1154	1143	1123	1170	1193
			rear	kg	436	405	353	364	384	404	404
4.19	<b>Overall Length <sup>35</sup></b>	l1	mm	3045	3595	3845	3845	3845	4125	4325	
4.20	<b>Head Length <sup>35</sup></b>	l2	mm	1447						1447	
4.22	<b>Fork Dimensions</b>	l	mm	<b>1600</b>	<b>2150</b>	<b>2400</b>	<b>2400</b>	<b>2400</b>	<b>2680<sup>8</sup></b>	<b>2880<sup>8</sup></b>	
4.22a	<b>Fork Tip Length</b>		mm	<b>783</b>	<b>944</b>	<b>693<sup>7</sup></b>	<b>783</b>	<b>944</b>	<b>944</b>		
4.25	<b>Fork Spread</b>	b5	mm	<b>520 / 540 / 560 / 680</b>						<b>520</b>	
4.35	<b>Turning Radius, lowered <sup>135</sup></b>	Wa	mm	2445	2835	3335	3245	3085	3365	3565	

<sup>1</sup> Forks raised

<sup>2</sup> With optional larger battery compartment (620 Ah)

<sup>3</sup> With optional extended operator platform (515 mm)

<sup>4</sup> With optional extended operator platform (515 mm)

<sup>5</sup> With optional platform lift (3040/3060)

- 115 mm

+ 120 mm

+ 75 mm

+ 25 kg

+ 75 mm

<sup>6</sup> With optional platform lift (3040/3060)

+ 110 kg

<sup>7</sup> 2 or 3 Euro pallets crossways, only with single load wheels

(Ø 82 x 110 mm) + pallet entry rollers

<sup>8</sup> Capacity 2.5 t

**Capacity**

GPC 3040 - 2000 kg  
 GPC 3060 - 2700 kg

**Electric System / Batteries**

24-volt electrical system with nominal battery capacities from 420 Ah up to 620 Ah. The battery can be removed vertically or horizontally with optional battery rollers for left/right or both sides removal.

**Standard Equipment**

1. Crown maintenance-free 3-phase (AC) traction motor. Maintenance-free 3-phase (AC) steering motor.
2. e-GEN Braking System offers regenerative and frictionless electric braking (mechanical braking applies only as parking brake)
3. Electronic steering with the centre-mounted X10 Control Handle for precise and effortless control
4. The self centering X10 Control Handle places all truck functions at the operator's fingertips
5. Crown Access 1 2 3 Comprehensive System Control
6. Intelligent Steering System slows the travel speed in curves
7. Load-dependent speed
8. Crown's Information Display
  - 1 line LCD display with 8 characters
  - Battery discharge indicator
  - Keyless start up with PIN code
  - Start up and run time diagnostics
  - 3 selectable traction performance profiles
  - Hour meters including traction motor, hydraulic motor and run time
  - Access 1 2 3 on-board diagnostic with real time troubleshooting capabilities
9. CAN-Bus technology
10. Ramp hold
11. Low step height of 130 mm with a wide walk-through area
12. Suspended floorboard with a non-slip anti-fatigue floor mat with integrated presence sensors
13. Electric power disconnect plug
14. Multiple storage compartments
  - Large front storage tray
  - Lower cover in backrest with shrink wrap pocket (3040/3060)
  - 2 large storage bins in the backrest (3040/3060)
  - 3 storage pockets in battery area
15. Two cords on each side of desktop surface to fix paper documents
16. Vulkollan drive tyre, castor wheel and tandem load wheels
17. Comfort backrest (3040/3060) includes
  - Soft moulded lean pad
  - 2 large storage bins
  - backrest grab handles

18. Cushioned kneepad (3040/3060)
19. Battery connector DIN 160 A
20. Heavy duty fork assembly
21. Heavy duty power unit
  - 10 mm thick steel skirt
  - Easily removable reinforced steel covers
  - Top battery access
22. Battery compartment for 420 - 465 Ah batteries (3040)
23. Battery compartment for 560 - 620 Ah batteries (3060)

**Optional Equipment**

1. Fork length options
2. Battery compartment for 560 - 620 Ah batteries (3040)
3. Extended platform with 515 mm walk-through (not available with platform lift)
4. Fold-down step (not available with platform lift)
5. Backrest grab bar (standard, if fold-down step is ordered, not available with load backrest and platform lift)
6. Platform lift with an operator stand height of 950 mm (3040/3060)
7. Picking guard (requires front Work Assist accessory tube, only with large battery compartment and platform lift on 3040/3060)
8. Pick Position Control in the backrest
9. Adjustable fold-down lean seat and lower cover in backrest with shrink wrap pocket (not available with platform lift)
10. Battery lift out with both side covers
11. Battery roll out with no covers, left or right hand side cover
12. SBE 160 red battery connector
13. Power supply 12/24V for electronic tools
14. Key switch
15. Cold storage conditioning
16. Load Backrest 1610 mm and 1800 mm
17. Audible travel alarm
18. Flashing beacon (3040/3060, requires rear Work Assist accessory tube)
19. Warning light
20. Lower cover in backrest with shrink wrap pocket
21. Special paint
22. Rubber bumper
23. Rear storage compartment (3040/3060)
24. Pallet entry rollers (standard on 1600/2400 mm fork length with 693 mm fork tip length)
25. Front Work Assist accessory tube with or without cable management
26. Rear Work Assist accessory tube (3040/3060, not available with load backrest or platform lift)

27. Work Assist Accessories
  - Load tray
  - Foil roll holders
  - Storage pockets
  - Beverage holder
  - Trash bag holder
  - Scan gun holder
  - Small, medium and large clip boards
  - Mounting brackets for WMS terminals
28. Keypad
29. InfoLink ready
30. Supertrac drive tyre Ø 250x75 mm
31. Single load wheel Ø 82 x 110 mm (GPC 3040 only)
32. Lithium-Ion Battery ready
33. Fork weld marks for pallet positioning
34. Central storage tray
35. Universal magnetic storage tray
36. Soft writing mat
37. QuickPick Remote ready
38. USB Charging Port

**Electrical**

24 volt electrical system managed by Crown's Access 1 2 3 Comprehensive System Control. Virtually maintenance-free AC traction motor provides strong acceleration and control at any speed. Sensors monitor functional parameters including load, steering, speed and operator position and adjusts operational settings automatically to suit conditions.

**Power Unit**

The rugged power unit is designed for tough real-world applications. A 10 mm thick skirt protects drive unit and castor components while reinforced steel covers and doors cover all electronics. The uncluttered layout of components provides quick and easy access for servicing.

**Operator Area and Controls**

The comfortable suspension features a fully suspended floorboard with a soft mat that reduces operator fatigue. Wide walkthrough compartment with rounded surfaces provides a convenient shortcut even while carrying boxes. Contoured lean pad helps the operator stay centred in the truck while providing a soft contact surface to lean against. Multiple storage pockets provide locations for tools and personal effects. All truck functions are controlled by the award-winning X10 control

handle that allows simultaneous operation of all functions with one hand. Electronic steering is standard on all models, providing precise, predictable control. A large information display provides battery discharge level, operational status and service messages to the operator.

**Access 1 2 3 Comprehensive System Control**

Crown's Access 1 2 3 technology provides optimum performance and control by offering a communications interface for the operator and service engineer, intelligent coordination of lift truck systems and simplified service with advanced diagnostics. The display includes a full featured on-board service tool, so service engineers can actively view inputs and outputs during truck operation. No laptop or service terminal is required. Performance tuning can be accessed at the display to customise truck performance for specific applications or operator requirements.

**e-GEN Braking System**

The power of the high-torque AC traction motor is used to stop the truck and keep it static until a travel input is requested, even when operating on a gradient. This system eliminates adjustments and wear points for a lifetime of maintenance free use. An automatic parking brake activates if the truck is stopped and the operator leaves the platform or power is disconnected.

**Work Assist Accessories**

A comprehensive range of Work Assist accessories is available to support every kind of picking and administrative task. These rugged tools can be easily combined and positioned in the location best suited to the application and the user. Customer accessories can also be added using the universal clamp and adapter plate. Two front Work Assist accessory tubes are available for mounting the accessories, one with and one without cable management.

*Dimensions and performance data given may vary due to manufacturing tolerances. Performance is based on an average size vehicle and is affected by weight, condition of truck, how it is equipped and the conditions of the operating area. Crown products and specifications are subject to change without notice.*



**crown.com**

Because Crown is continually improving its products, specifications are subject to change without notice.

Notice: Not all products and product features are available in all countries in which this literature is published.

Crown, the Crown logo, the color beige, the Momentum symbol, Access 123, e-GEN, QuickPick, InfoLink, X-10 and Work Assist are trademarks of Crown Equipment Corporation in the United States and other countries.

Copyright 2019-2024 Crown Equipment Corporation  
 GPC 3000 SPEC GB 12/22, 10  
 M03354-006-08  
 2305.3765