

**CROWN**

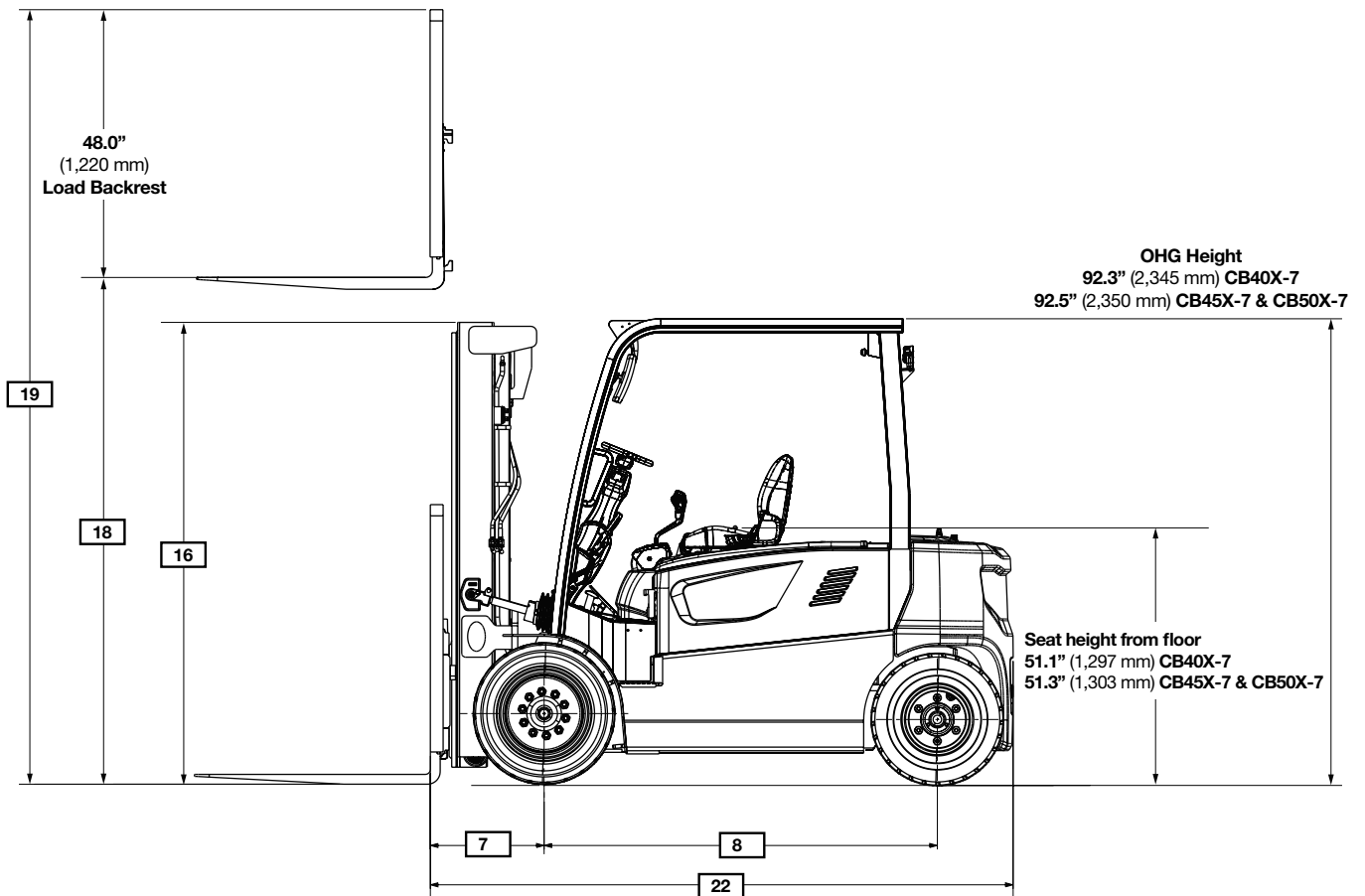
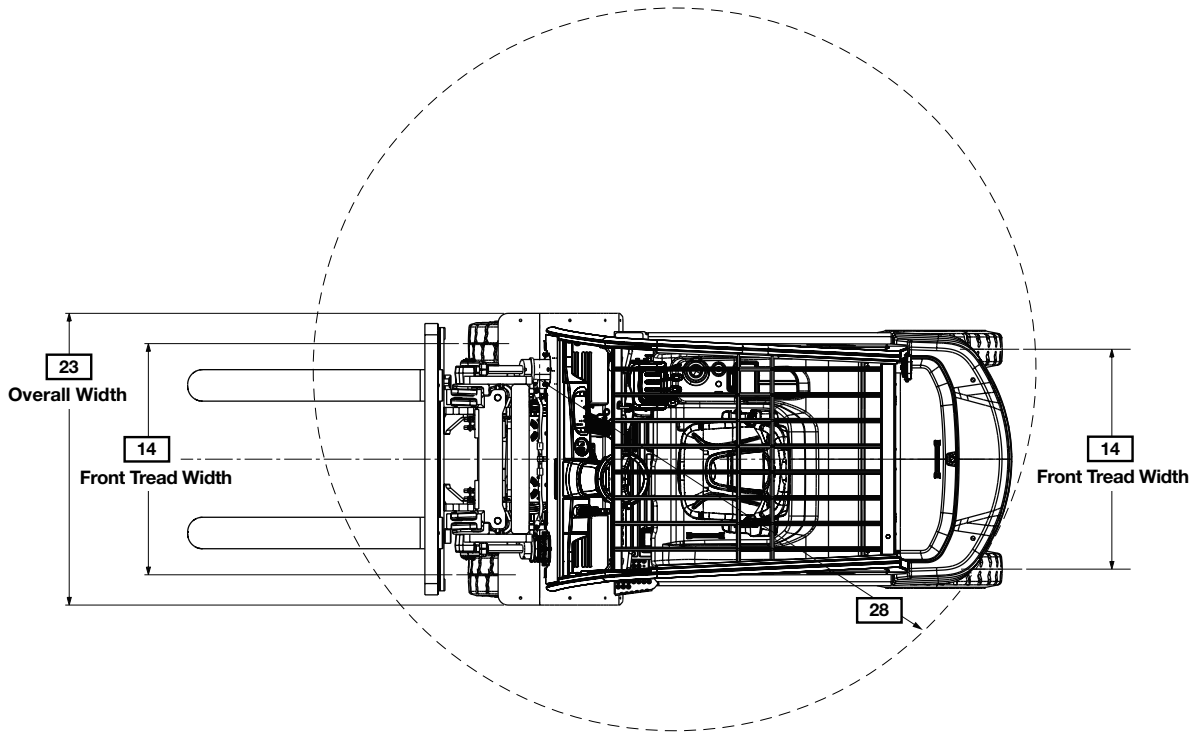
# C-B

**4,000–5,000 kg Capacity**

Electric Pneumatic Tyre

## Specifications





# C-B Series

# Specifications

				Imperial	Metric	Imperial	Metric
General Information	2	<b>Model</b>		<b>CB40X-7</b>		<b>CB45X-7</b>	
	3	<b>Power (fuel) type</b>	Electric, diesel, gas, LPG	Electric			
	4	<b>Operator Type</b>		Sit-down Rider			
	5	<b>Load Capacity</b>	lb kg	8,000	4,000	9,000	4,500
	6	<b>Load Centre</b>	Per ANSI B56.1 in mm	24	600	24	600
	7	<b>Load Distance</b>	in mm	22.5	572	22.5	572
	8	<b>Wheelbase</b>	in mm	78.7	2,000	78.7	2,000
	Weights	9	<b>Truck Weight</b>	Less Battery lb kg	10,697	4,852	11,612
9.1		<b>Axle Load, Loaded</b>	Front/Rear lb kg	21,768/2,509	9,874/1,138	23,384/2,910	10,607/1,320
9.2		<b>Axle Load, Empty</b>	Front/Rear lb kg	8,223/7,236	3,730/3,282	8,146/8,228	3,695/3,732
Tyres	10	<b>Tyre Type</b>	Cushion, Solid Pneumatic, Pneumatic	Solid Pneumatic			
	11	<b>Tyre Size, Front</b>	in mm	250-15		28 x 12.5-15	
	12	<b>Tyre Size, Rear</b>	in mm	7.00-12		7.00-12	
	13	<b>Wheels</b>	Number (x = driven) Front/Rear	2x/2			
	14	<b>Tread Width</b>	Front/Rear in mm	46.0/43.7	1,168/1,111	45.7/43.7	1,160/1,111
Dimensions	15	<b>Mast</b>	Tilt deg	See Mast Charts			
	16		Collapsed Height in mm				
	17		Free Lift in mm				
	18		Lift Height in mm				
	19		Extended Height in mm				
	20	<b>Overhead Guard Height</b>	in mm	92.3	2,345	92.5	2,350
	21	<b>Seat Height</b>	From floor to SIP in mm	51.1	1,297	51.3	1,303
	22	<b>Head length</b>	in mm	116.4	2,957	116.4	2,957
	23	<b>Overall Width</b>	in mm	57.9	1,470	57.9	1,470
	24	<b>Forks</b>	Standard L x W x T in mm	41.3 x 5.9 x 2.0	1,050 x 150 x 50	41.3 x 5.9 x 2.0	1,050 x 150 x 50
	25	<b>Fork Carriage</b>	in mm	ITA Class III			
	26	<b>Ground Clearance</b>	Loaded Below Mast in mm	4.7	120	5.1	130
26.1			Centre of Wheelbase in mm	6.3	160	6.3	160
27		<b>Working Aisle Width</b>	Minimum non-intrusive right-angle stack in mm	Calculate using RAS Calculator			
28	<b>Turning Radius</b>	in mm	103.2	2,620	103.2	2,620	
Performance	29	<b>Travel Speed, Forks First</b>	Loaded/Empty mph km/h	9.3/9.9	15.0/16.0	9.3/9.9	15.0/16.0
	30	<b>Travel Speed, Power Unit First</b>	Loaded/Empty mph km/h	9.3/9.9	15.0/16.0	9.3/9.9	15.0/16.0
	31	<b>Lift Speed</b>	Loaded/Empty fpm m/s	68.9/92.5	0.35/0.47	65.0/92.5	0.33/0.47
	32	<b>Lowering Speed</b>	Loaded/Empty fpm m/s	94.5/88.6	0.48/0.45	94.5/88.6	0.48/0.45
	33	<b>Drawbar Pull</b>	Loaded/Empty (5-min. rating) lbf N	4,186/4,186	18,620/18,620	4,186/4,186	18,620/18,620
	34	<b>Gradability</b>	Loaded/Empty (5-min. rating) %	17/27		16/26	
	35	<b>Brake</b>	Service/Park	Foot – Hyd/Hand – Mechanical			
Motors/Batteries	36	<b>Traction Motor</b>	60-min. rating hp KW	13.0 2x	10.0 2x	13.0 2x	10.0 2x
	37	<b>Lift Pump Motor</b>	15% ON time hp KW	38.0	28.0	38.0	28.0
	38	<b>Battery Compartment Size</b>	L x W x H in mm	39.6 x 40.9 x 33	1,007 x 1,040 x 840	39.6 x 40.9 x 33	1,007 x 1,040 x 840
	38.1	<b>Max. Battery Size</b>	L x W x H in mm	See Battery Chart			
	39	<b>Battery Voltage/Max Ah/Max kWh</b>	@ 6-hour Rate V/Ah/kWh	80/930/74.4			
	40	<b>Battery Weight</b>	Min. lb kg	4,762	2,160	4,762	2,160
Misc.	41	<b>Max. Op. Pressure for Attachments</b>	psi Bar	2,248	155	2,248	155

# C-B Series

# Specifications

				<i>Imperial</i>	<i>Metric</i>	
General Information	2	<b>Model</b>		<b>CB50X-7</b>		
	3	<b>Power (fuel) type</b>	Electric, diesel, gas, LPG	Electric		
	4	<b>Operator Type</b>		Sit-down Rider		
	5	<b>Load Capacity</b>		lb kg	10,000	5,000
	6	<b>Load Centre</b>	Per ANSI B56.1	in mm	24	600
	7	<b>Load Distance</b>		in mm	22.5	572
	8	<b>Wheelbase</b>		in mm	78.7	2,000
	Weights	9	<b>Truck Weight</b>	Less Battery	lb kg	12,352
9.1		<b>Axle Load, Loaded</b>	Front/Rear	lb kg	25,243/2,893	11,450/1,312
9.2		<b>Axle Load, Empty</b>	Front/Rear	lb kg	8,311/8,801	3,770/3,992
Tyres	10	<b>Tyre Type</b>	Cushion, Solid Pneumatic, Pneumatic	Solid Pneumatic		
	11	<b>Tyre Size, Front</b>		in mm	28 x 12.5-15	
	12	<b>Tyre Size, Rear</b>		in mm	7.00-12	
	13	<b>Wheels</b>	Number (x = driven) Front/Rear	2x/2		
	14	<b>Tread Width</b>	Front/Rear	in mm	36.9/36.0	937/914
	Dimensions	15	<b>Mast</b>	Tilt	deg	See Mast Charts
16		Collapsed Height		in mm		
17		Free Lift		in mm		
18		Lift Height		in mm		
19		Extended Height		in mm		
20		<b>Overhead Guard Height</b>		in mm	92.5	2,350
21		<b>Seat Height</b>	From floor to SIP	in mm	51.3	1,303
22		<b>Head length</b>		in mm	117.6	2,987
23		<b>Overall Width</b>		in mm	57.9	1,470
24		<b>Forks</b>	Standard L x W x T	in mm	41.3 x 5.9 x 2.0	1,050 x 150 x 50
25		<b>Fork Carriage</b>		in mm	ITA Class III	
26		<b>Ground Clearance</b>	Loaded Below Mast	in mm	5.1	130
26.1			Centre of Wheelbase	in mm	6.3	160
27		<b>Working Aisle Width</b>	Minimum non-intrusive right-angle stack	in mm	Calculate using RAS Calculator	
28	<b>Turning Radius</b>		in mm	104.1	2,645	
Performance	29	<b>Travel Speed, Forks First</b>	Loaded/Empty	mph km/h	9.3/9.9	15.0/16.0
	30	<b>Travel Speed, Power Unit First</b>	Loaded/Empty	mph km/h	9.3/9.9	15.0/16.0
	31	<b>Lift Speed</b>	Loaded/Empty	fpm m/s	61.0/92.5	0.31/0.47
	32	<b>Lowering Speed</b>	Loaded/Empty	fpm m/s	94.5/88.6	0.48/0.45
	33	<b>Drawbar Pull</b>	Loaded/Empty (5-min. rating)	lbf B	4,186/4,186	18,620/18,620
	34	<b>Gradability</b>	Loaded/Empty (5-min. rating)	%	15/25	
	35	<b>Brake</b>	Service/Park	Foot — Hyd/Hand — Mechanical		
Motors/Batteries	36	<b>Traction Motor</b>	60-min. rating	hp KW	13.0 2x	10.0 2x
	37	<b>Lift Pump Motor</b>	15% ON time	hp KW	38.0	28.0
	38	<b>Battery Compartment Size</b>	L x W x H	in mm	39.6 x 40.9 x 33	1,007 x 1,040 x 840
	38.1	<b>Max. Battery Size</b>	L x W x H	in mm	See Battery Chart	
	39	<b>Battery Voltage/Max Ah/Max kWh</b>	@ 6-hour Rate	V/Ah/kWh	80/930/74.4	
40	<b>Battery Weight</b>	Min.	lb kg	4,762	2,160	
Misc.	41	<b>Max. Op. Pressure for Attachments</b>		psi Bar	2,248	155

Mast Chart CB40X-7

Mast Type	Maximum Fork Height		Maximum Collapsed Height		Fully Extended Height With Load Backrest		Free Lift With Load Backrest		Rated Load Capacities			
									Tilt Angle		Load Capacities	
									FWD	BWD	24-in LC	600-mm LC
	in	mm	in	mm	in	mm	in	mm	deg	deg	lb	kg
TL	118	3,000	86	2,190	168	4,265	6	160	6	9	8,000	3,625
	130	3,300	92	2,340	180	4,565	6	160	6	9	8,000	3,625
	144	3,650	99	2,515	194	4,915	6	160	6	9	8,000	3,625
	157	4,000	111	2,840	207	5,265	6	160	6	9	8,000	3,625
	167	4,250	116	2,946	217	5,515	6	160	6	9	7,950	3,606
191	4,850	134	3,415	241	6,115	6	160	6	5	7,900	3,583	
TF	118	3,000	85	2,170	167	4,240	38	970	6	9	8,000	3,625
TT	157	4,000	80	2,032	207	5,265	33	850	6	9	8,000	3,625
	167	4,250	84	2,140	218	5,530	37	940	6	9	7,950	3,606
	185	4,700	90	2,290	235	5,980	43	1,090	6	9	7,950	3,606
	203	5,150	95	2,410	253	6,430	49	1,240	6	5	7,900	3,583
	220	5,600	101	2,565	271	6,880	55	1,390	6	3	7,650	3,470
238	6,050	107	2,717	289	7,330	61	1,540	6	3	7,400	3,357	

Mast Chart CB45X-7

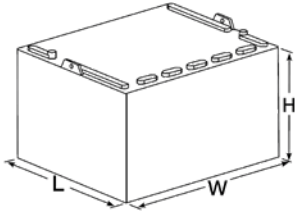
Mast Type	Maximum Fork Height		Maximum Collapsed Height		Fully Extended Height With Load Backrest		Free Lift With Load Backrest		Rated Load Capacities			
									Tilt Angle		Load Capacities	
									FWD	BWD	24-in LC	600-mm LC
	in	mm	in	mm	in	mm	in	mm	deg	deg	lb	kg
TL	118	3,000	86	2,190	168	4,265	6	160	6	9	9,000	4,080
	130	3,300	92	2,340	180	4,565	6	160	6	9	9,000	4,080
	144	3,650	99	2,515	194	4,915	6	160	6	9	9,000	4,080
	157	4,000	111	2,840	207	5,265	6	160	6	9	9,000	4,080
	167	4,250	116	2,946	217	5,515	6	160	6	9	8,950	4,060
191	4,850	134	3,415	241	6,115	6	160	6	5	8,900	4,037	
TF	118	3,000	85	2,170	167	4,240	38	970	6	9	9,000	4,080
TT	157	4,000	80	2,032	207	5,265	33	850	6	9	9,000	4,080
	167	4,250	84	2,140	218	5,530	37	940	6	9	8,950	4,060
	185	4,700	90	2,290	235	5,980	43	1,090	6	9	8,900	4,037
	203	5,150	95	2,410	253	6,430	49	1,240	6	5	8,850	4,014
	220	5,600	101	2,565	271	6,880	55	1,390	6	3	8,600	3,901
238	6,050	107	2,717	289	7,330	61	1,540	6	3	8,300	3,765	

Mast Chart CB50X-7

Mast Type	Maximum Fork Height		Maximum Collapsed Height		Fully Extended Height With Load Backrest		Free Lift With Load Backrest		Rated Load Capacities			
									Tilt Angle		Load Capacities	
									FWD	BWD	24-in LC	600-mm LC
	in	mm	in	mm	in	mm	in	mm	deg	deg	lb	kg
TL	118	3,000	86	2,190	174	4,415	6	160	6	9	10,000	4,535
	130	3,300	92	2,340	186	4,715	6	160	6	9	10,000	4,535
	144	3,650	99	2,515	199	5,065	6	160	6	9	10,000	4,535
	157	4,000	111	2,840	213	5,415	6	160	6	9	10,000	4,535
	167	4,250	116	2,946	223	5,665	6	160	6	9	9,950	4,513
191	4,850	134	3,415	247	6,265	6	160	6	9	9,900	4,491	
TF	118	3,000	85	2,170	173	4,390	38	970	6	9	10,000	4,535
TT	157	4,000	80	2,032	213	5,415	33	850	6	9	10,000	4,535
	167	4,250	84	2,140	224	5,680	37	940	6	9	9,950	4,513
	185	4,700	90	2,290	241	6,130	43	1,090	6	9	9,900	4,491
	203	5,150	95	2,410	259	6,580	49	1,240	6	5	9,850	4,468
	220	5,600	101	2,565	277	7,030	55	1,390	6	3	9,500	4,309
238	6,050	107	2,717	294	7,480	61	1,540	6	3	9,150	4,150	

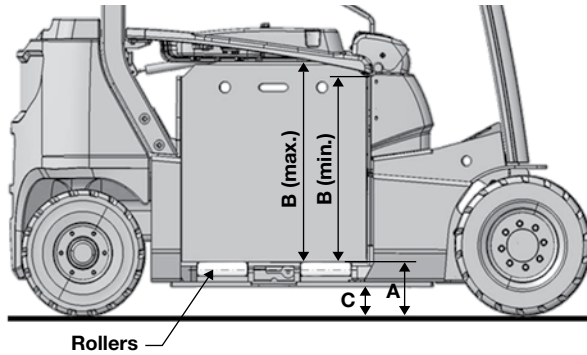
**Recommended Battery Size and Battery Minimum Weight**

Voltage	Capacity/Discharge Rate		(L) Max. Length		(W) Max. Width		(H) Max. Height		Minimum Weight	
	Amp-hrs/hr-rate	kW-hrs/hr-rate	in	mm	in	mm	in	mm	lb	kg
80	930/6	74.4/6	39.3	999	40.47	1,028	30.9	787	4,762	2,160



- Note:
1. Recommended Cable Length: 1,000 mm (39.4 inches)
  2. Recommended Cable Size: OVER 2/0 GA
  3. Battery connector SBE320 Black or SB350 Black. (Should conform to vehicle connector)

**Side Roll In-Out (SRIO)**



Battery Side Roll In-Out (SRIO)				Ground Clearance	
A		B (max./min.)		C	
in	mm	in	mm	in	mm
8.38	213	34/31.9	864/811	5.39	137

**Battery Insertion and Removal**

1. Standard slotted overhead guard. Lift from top with battery hoist.
2. Optional battery Side Roll In-Out (SRIO). See diagram.

Note: The battery height is limited by the seat deck (battery cover). Therefore, the "B (min)" dimension is very important.

**Standard Features**

1. Emergency disconnect switch
2. 80-volt system
3. AC traction and hydraulic systems
4. IP65-rated controllers
5. IP54-rated motors
6. Rugged steer axle with large king pins and tapered roller bearings
7. Regen motor-assist braking
8. Oil-cooled disc brakes
9. Brake oil level indicator
10. Ramp hold
11. Cornering speed control
12. Turtle mode (reduced speed)
13. Operator design features
  - Operator Sensing System (OSS)
  - Parking brake alarm
  - Entry handle
  - LCD screen
  - Seatbelt indicator
  - Adjustable steer column
  - Small steering wheel with spinner knob
  - USB port
  - 12-V electrical outlet
  - Cup holder
  - Economy, standard and high performance modes
  - Rear-view mirrors (pair)
  - Low battery warning
14. Cold storage package
15. EE rating
16. Battery hoist chain slot in overhead guard

**Optional Equipment**

1. Tilt position assist
2. Operator options
  - Directional control on lift lever
  - Fingertip controls with integrated directional control and emergency disconnect switch
  - Panoramic mirrors
  - Foot-operated directional control pedal
3. Lights
  - Combination lights — LED front — worklights and turn signals
  - Rear — stop, rear, backup and turn signals
  - Rear worklight — LED
4. Audible warning devices
  - Travel alarm
  - Smart travel alarm
5. Visual warning devices
  - Flashing light
  - Floor spotlight (blue light)
6. Attachments
  - Hook-on sideshifter
  - Integral sideshifting fork positioner
7. Battery Compartment — Side Roll In-Out (SRIO) — no hoist/chain slot in overhead guard
8. Tilt cylinder bellows
9. Quick disconnect hydraulics
10. InfoLink ready

**Warning Device Options**

Audible or Visual Alerts

Safety considerations and dangers associated with audible travel alarms and lights include:

- Multiple alarms and/or lights can cause confusion.
- Workers ignore the alarms and/or lights after day-in, day-out exposure.
- Operator may transfer the responsibility for “looking out” to the pedestrians.
- Annoys operators and pedestrians.

**Other Options Available**

Contact factory for additional options.

*Dimensions and performance data given may vary due to manufacturing tolerances. Performance is based on an average-sized vehicle and is affected by weight, condition of truck, how it is equipped and the conditions of the operating area. Crown products and specifications are subject to change without notice.*



**[crown.com](https://www.crown.com)**

Because Crown is continually improving its products, specifications are subject to change without notice.

Notice: Not all products and product features are available in all countries in which this literature is published.

Crown, the Crown logo, the colour beige, the Momentum symbol and InfoLink are trademarks of Crown Equipment Corporation in the United States and other countries.

© 2022-2023 Crown Equipment Corporation  
SF20699-006 Rev. 04-23  
Printed in the USA.