

CROWN

TECHNICAL SPECIFICATIONS

Pneumatic Forklift Trucks

CD20S / CD25S / CD30S / CD33S-5 & CD35C-5

CG20E / CG25E / CG30E-5

CG20P / CG25P / CG30P / CG33P-5 & CG35C-5

PRO5
SERIES



2,000/2,500/3,000/3,250/3,500 kg Capacities

Engine Powered Forklift Trucks Pneumatic Tire, Diesel

MAIN VEHICLE SPECIFICATIONS

CHARACTERISTICS	1	Manufacture		CROWN	CROWN	CROWN	CROWN	CROWN	
	2	Model		CD20S-5	CD25S-5	CD30S-5	CD33S-5	CD35C-5	
	3	Load Capacity	at rated load center	kg	2,000	2,500	3,000	3,250	3,500
	4	Load Center		mm	500	500	500	500	500
	5	Power type	Elec, Diesel, LPG, Gasoline		Diesel	Diesel	Diesel	Diesel	Diesel
	6	Operator type			driver seated	driver seated	driver seated	driver seated	driver seated
	7	Tire type	P:Pnu, E:Solid Soft, C: Cush		P	P	P	P	P
	8	Wheels (x=Driven)	Front/Rear		X 2 / 2	X 2 / 2	X 2 / 2	X 2 / 2	X 2 / 2
DIMENSIONS	9	Max. Fork Height	with STD 2-stage mast	mm	3,230	3,230	3,230	3,230	3,000
	10	Free Lift		mm	152	152	152	152	152
	12	Fork Carriage	ISO Class		II	II	III	III	III
	13	Forks	Length x Width x Thickness	mm	1,050x100x40	1,050x100x40	1,050x125x45	1,050x125x45	1,050x125x45
			Fork Spacing(Min x Max)	mm	275x1,035	275x1,035	286x1,044	286x1,044	286x1,044
	14	Tilt of Mast	Forward/Backward	deg	6 / 10	6 / 10	6 / 10	6 / 10	6 / 10
	15	Overall Dimensions	Length to Fork Face	mm	2,530	2,595	2,700	2,730	2,765
			Overall Width(Single / Dual Tire)	mm	1,170 / 1,625	1,170 / 1,625	1,197 / 1,625	1,197 / 1,625	1,255 / 1,625
			Mast Lowered Height	mm	2,175	2,175	2,165	2,165	2,165
			Mast Extended Height	mm	4,490	4,490	4,490	4,490	4,260
			Overhead Guard Height	mm	2,183	2,183	2,183	2,183	2,183
	19	Seat Height		mm	1,060	1,060	1,060	1,060	1,060
	21	Turning Radius	Minimum outside	mm	2,220	2,265	2,365	2,395	2,420
	22	Load Moment Center		mm	480	480	485	485	495
	23	Aisle 90 degree stacking(add load length & clearance)		mm	2,700	2,745	2,850	2,880	2,915
PERFORMANCE	24	Travel Speed	Loaded/Unloaded	km/h	19 / 19.5	19 / 19.5	18.5 / 19	18 / 18.5	18.5 / 19
	25	Lifting Speed	Loaded/Unloaded	mm/s	530 / 550	520 / 550	500 / 550	490 / 550	420 / 550
	26	Lowering Speed	Loaded/Unloaded	mm/s	510 / 460	510 / 460	510 / 460	510 / 460	510 / 460
	28	Max. drawbar pull	Loaded at 1.0 mph (1.6km/h)	kg	1,765	1,740	1,830	1,820	1,750
	30	Max. gradeability	Loaded at 1.0 mph (1.6km/h)	%	33	28	25	23.5	21.5
	WEIGHT	32	Total Service Weight, Unloaded		kg	3,580	3,950	4,450	4,630
33		Axle Load	Loaded, Front/Rear	kg	4,930 / 650	5,660 / 790	6,580 / 870	6,940 / 940	7,340 / 970
			Unloaded, Front/Rear	kg	1,720 / 1,860	1,650 / 2,300	1,840 / 2,610	1,800 / 2,830	1,780 / 3,030
35			Number of wheels(F/R)		2 / 2	2 / 2	2 / 2	2 / 2	2 / 2
36		Tires	Size, Front		7.00x15-12	7.00x15-12	28x9x15-12	28x9x15-12	250x15-18
			Size, Rear		6.50x10-10	6.50x10-10	6.50x10-10	6.50x10-12	6.50x10-12
38		Wheel Base	Distance	mm	1,625	1,625	1,700	1,700	1,700
39	Tread Width	Front/Rear	mm	975 / 1,000	975 / 1,000	982 / 1,000	982 / 1,000	1,026 / 1,000	
40	Ground Clearance	Loaded at the lowest point	mm	115	115	108	108	108	
		Loaded at center of wheelbase	mm	152	152	152	152	152	
42	Brakes	Service		Foot / Hyd	Foot / Hyd	Foot / Hyd	Foot / Hyd	Foot / Hyd	
		Parking		Hand / Mech	Hand / Mech	Hand / Mech	Hand / Mech	Hand / Mech	
45	Battery	Voltage/Ampere	V/AH	12 / 85	12 / 85	12 / 85	12 / 85	12 / 85	
POWER TRAIN	49	Model		4TNE98	4TNE98	4TNE98	4TNE98	4TNE98	
	50	Engine	Rated Power(DIN)	HP/rpm	59 / 2,300	59 / 2,300	59 / 2,300	59 / 2,300	59 / 2,300
				kW/rpm	43.7 / 2,300	43.7 / 2,300	43.7 / 2,300	43.7 / 2,300	43.7 / 2,300
	51	Maximum Torque	N-m/rpm	181 / 1,600	181 / 1,600	181 / 1,600	181 / 1,600	181 / 1,600	
	52	Cylinders/Displacements	cc	3,319	3,319	3,319	3,319	3,319	
	55	Transmission	Type		powershift	powershift	powershift	powershift	powershift
Number of Speed (Fwd/Rev)				1 / 1	1 / 1	1 / 1	1 / 1	1 / 1	
57	Hydraulic Pressure	System	bar	181	195	216	216	216	
		Attachment	bar	156	156	156	156	156	

Note: Specification values quoted in this specification sheet has been rounded. Performance may vary due to operation conditions.
Products and specifications are subject to improvement and change without prior notices.

MAST SPECIFICATIONS and RATED CAPACITIES

CD/G 20S(E.P)-5

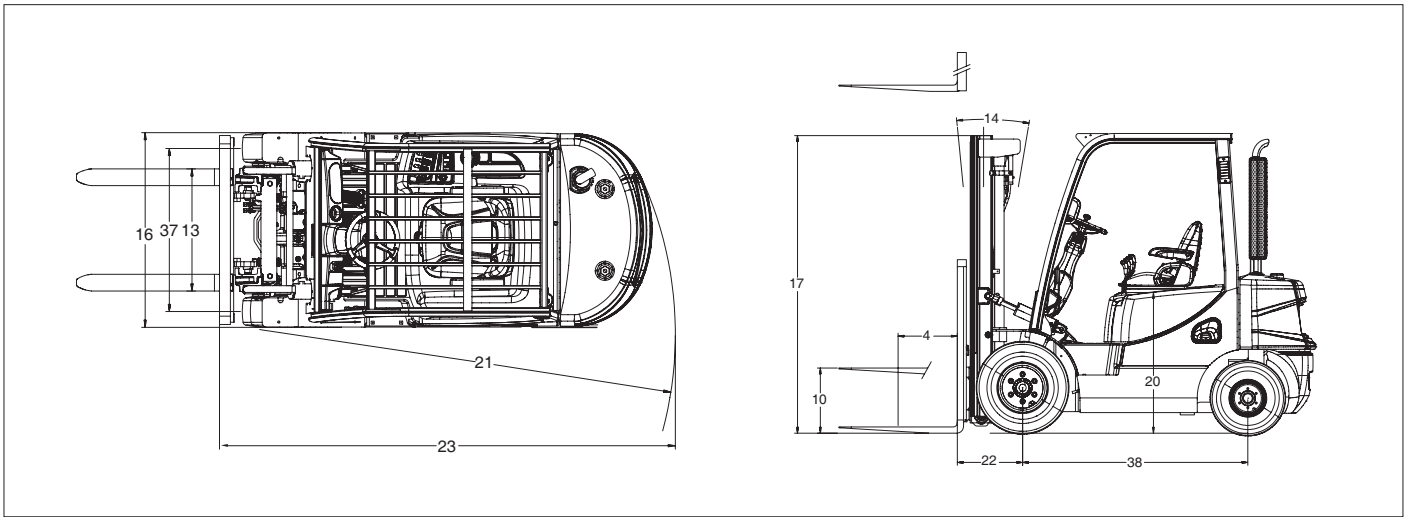
Mast type	Maximum Fork Height	Maximum Lowered Height	Fully Extended Height	Free Lift	Rated Load Capacities								
					CD/G 20S(E.P)-5								
					With Load Backrest	With Load Backrest	Tilt Angle				Load Capacities		
							Single Pneu.		Double Pneu		Single Solid		Single Pneu.
FWD	BWD	FWD	BWD	FWD	BWD	LC 500mm	LC 500mm	LC 500mm					
	mm	mm	mm	mm	deg	deg	deg	deg	deg	deg	kg	kg	kg
STD	2030	1575	3290	147	6	10	6	10	6	10	2000	2000	2000
	2580	1850	3840	147	6	10	6	10	6	10	2000	2000	2000
	2950	2035	4210	147	6	10	6	10	6	10	2000	2000	2000
	3230	2175	4490	147	6	10	6	10	6	10	2000	2000	2000
	3500	2425	4765	147	6	10	6	10	6	10	2000	2000	2000
	3800	2575	5065	147	6	10	6	10	6	10	2000	2000	2000
	3950	2650	5215	147	6	10	6	10	6	10	2000	2000	2000
	4350	2850	5615	147	6	10	6	10	6	10	2000	2000	2000
4960	3150	6215	147	6	5	6	10	6	10	1900	1925	1975	
FF	2580	1850	3840	645	6	10	6	10	6	10	2000	2000	2000
	2950	2035	4210	830	6	10	6	10	6	10	2000	2000	2000
	3230	2175	4490	970	6	10	6	10	6	10	2000	2000	2000
	3600	2425	4865	1220	6	10	6	10	6	10	2000	2000	2000
FFT	3900	1900	5165	695	6	8	6	8	6	8	2000	2000	2000
	4290	2035	5570	830	6	8	6	8	6	8	2000	2000	2000
	4730	2175	5990	970	6	8	6	8	6	8	1950	1950	2000
	5560	2525	6815	1320	6	3	6	8	6	8	1650	1825	1875
	6010	2675	7265	1470	6	3	6	8	6	5	1300	1750	1825
	6500	2915	7760	1710	6	3	6	8	6	3	975	1675	1750

CD/G 25S(E.P)-5

Mast type	Maximum Fork Height	Maximum Lowered Height	Fully Extended Height	Free Lift	Rated Load Capacities								
					CD/G 25S(E.P)-5								
					With Load Backrest	With Load Backrest	Tilt Angle				Load Capacities		
							Single Pneu.		Double Pneu		Single Solid		Single Pneu.
FWD	BWD	FWD	BWD	FWD	BWD	LC 500mm	LC 500mm	LC 500mm					
	mm	mm	mm	mm	deg	deg	deg	deg	deg	deg	kg	kg	kg
STD	2030	1575	3290	147	6	10	6	10	6	10	2500	2500	2500
	2580	1850	3840	147	6	10	6	10	6	10	2500	2500	2500
	2950	2035	4210	147	6	10	6	10	6	10	2500	2500	2500
	3230	2175	4490	147	6	10	6	10	6	10	2500	2500	2500
	3500	2425	4765	147	6	10	6	10	6	10	2500	2500	2500
	3800	2575	5065	147	6	10	6	10	6	10	2500	2500	2500
	3950	2650	5215	147	6	10	6	10	6	10	2500	2500	2500
	4350	2850	5615	147	6	5	6	10	6	10	2500	2500	2500
4960	3150	6215	147	6	3	6	10	6	8	2075	2450	2500	
FF	2580	1850	3840	645	6	10	6	10	6	10	2500	2500	2500
	2950	2035	4210	830	6	10	6	10	6	10	2500	2500	2500
	3230	2175	4490	970	6	10	6	10	6	10	2500	2500	2500
	3600	2425	4865	1220	6	10	6	10	6	10	2500	2500	2500
FFT	3900	1900	5165	695	6	8	6	8	6	8	2500	2500	2500
	4290	2035	5570	830	6	5	6	8	6	8	2500	2500	2500
	4730	2175	5990	970	6	3	6	8	6	8	2450	2500	2500
	5560	2525	6815	1320	6	3	6	8	6	5	1525	2325	2400
	6010	2675	7265	1470	6	3	6	8	6	3	1175	2250	2300
	6500	2915	7760	1710	6	3	6	5	6	3	875	2150	1850

CD/G 30S(E.P)-5

Mast type	Maximum Fork Height	Maximum Lowered Height	Fully Extended Height	Free Lift	Rated Load Capacities								
					CD/G 30S(E.P)-5								
					With Load Backrest	With Load Backrest	Tilt Angle				Load Capacities		
							Single Pneu.		Double Pneu		Single Solid		Single Pneu.
FWD	BWD	FWD	BWD	FWD	BWD	LC 500mm	LC 500mm	LC 500mm					
	mm	mm	mm	mm	deg	deg	deg	deg	deg	deg	kg	kg	kg
STD	2030	1565	3290	152	6	10	6	10	6	10	3000	3000	3000
	2580	1840	3840	152	6	10	6	10	6	10	3000	3000	3000
	2950	2025	4210	152	6	10	6	10	6	10	3000	3000	3000
	3230	2165	4490	152	6	10	6	10	6	10	3000	3000	3000
	3500	2415	4765	152	6	10	6	10	6	10	3000	3000	3000
	3800	2565	5065	152	6	10	6	10	6	10	3000	3000	3000
	3950	2640	5215	152	6	10	6	10	6	10	3000	3000	3000
	4350	2840	5615	152	6	5	6	10	6	10	3000	3000	3000
4960	3140	6215	152	6	3	6	10	6	10	2525	2900	2975	
FF	2580	1840	3840	640	6	10	6	10	6	10	3000	3000	3000
	2950	2025	4210	825	6	10	6	10	6	10	3000	3000	3000
	3230	2165	4490	965	6	10	6	10	6	10	3000	3000	3000
	3600	2415	4865	1215	6	10	6	10	6	10	3000	3000	3000
FFT	3900	1890	5165	690	6	8	6	8	6	8	2900	2900	2900
	4290	2025	5570	825	6	8	6	8	6	8	2900	2900	2900
	4730	2165	5990	965	6	3	6	8	6	8	2900	2900	2900
	5560	2515	6815	1315	6	3	6	8	6	5	1850	2750	2825
	6010	2665	7265	1465	6	3	6	5	6	3	1425	2675	2750



CD/G 33S(P)-5

Mast type	Maximum Fork Height	Maximum Lowered Height	Fully Extended Height	Free Lift	Rated Load Capacities											
					CD/G 33S(P)-5									Load Capacities		
					Tilt Angle		Tilt Angle		Tilt Angle		Single Pneu.	Double Pneu	Single Solid			
					Single Pneu.	Double Pneu	Single Solid	Single Pneu.	Double Pneu	Single Solid	LC 500mm	LC 500mm	LC 500mm			
FWD	BWD	FWD	BWD	FWD	BWD	LC 500mm	LC 500mm	LC 500mm	LC 500mm	LC 500mm	LC 500mm					
deg	deg	deg	deg	deg	deg	kg	kg	kg	kg	kg	kg					
STD	2030	1565	3290	152	6	10	6	10	6	10	3250	3250	3250			
	2580	1840	3840	152	6	10	6	10	6	10	3250	3250	3250			
	2950	2025	4210	152	6	10	6	10	6	10	3250	3250	3250			
	3230	2165	4490	152	6	10	6	10	6	10	3250	3250	3250			
	3500	2415	4765	152	6	10	6	10	6	10	3250	3250	3250			
	3800	2565	5065	152	6	10	6	10	6	10	3250	3250	3250			
	3950	2640	5215	152	6	10	6	10	6	10	3175	3250	3250			
	4350	2840	5615	152	6	5	6	10	6	10	3175	3250	3250			
4960	3140	6215	152	6	3	6	10	6	8	2450	3125	3200				
FF	2580	1840	3840	640	6	10	6	10	6	10	3250	3250	3250			
	2950	2025	4210	825	6	10	6	10	6	10	3250	3250	3250			
	3230	2165	4490	965	6	10	6	10	6	10	3250	3250	3250			
	3600	2415	4865	1215	6	10	6	10	6	10	3250	3250	3250			
FFT	3900	1890	5165	690	6	8	6	8	6	8	3250	3250	3250			
	4290	2025	5570	825	6	5	6	8	6	8	3250	3250	3250			
	4730	2165	5990	965	6	3	6	8	6	8	2900	3175	3250			
	5560	2515	6815	1315	6	3	6	8	6	5	1750	2975	3050			
	6010	2665	7265	1465	6	3	6	5	6	3	1350	2875	2950			

CD/G 35C-5

Mast type	Maximum Fork Height	Maximum Lowered Height	Fully Extended Height	Free Lift	Rated Load Capacities											
					CD/G 35C-5									Load Capacities		
					Tilt Angle		Tilt Angle		Tilt Angle		Single Pneu.	Double Pneu	Single Solid			
					Single Pneu.	Double Pneu	Single Solid	Single Pneu.	Double Pneu	Single Solid	LC 500mm	LC 500mm	LC 500mm			
FWD	BWD	FWD	BWD	FWD	BWD	LC 500mm	LC 500mm	LC 500mm	LC 500mm	LC 500mm	LC 500mm					
deg	deg	deg	deg	deg	deg	kg	kg	kg	kg	kg	kg					
STD	1800	1565	3060	152	6	10	6	10	6	10	3500	3500	3500			
	2350	1840	3610	152	6	10	6	10	6	10	3500	3500	3500			
	2720	2025	3980	152	6	10	6	10	6	10	3500	3500	3500			
	3000	2165	4260	152	6	10	6	10	6	10	3500	3500	3500			
	3495	2415	4760	152	6	10	6	10	6	10	3500	3500	3500			
	3655	2565	4915	152	6	10	6	10	6	10	3500	3500	3500			
	3805	2640	5065	152	6	10	6	10	6	10	3500	3500	3500			
	4205	2840	5465	152	6	8	6	10	6	10	3425	3425	3500			
	4805	3140	6065	152	6	3	6	8	6	8	3250	3275	3375			
FF	2350	1840	3610	640	6	10	6	10	6	10	3500	3500	3500			
	2720	2025	3980	825	6	10	6	10	6	10	3500	3500	3500			
	3000	2165	4260	965	6	10	6	10	6	10	3500	3500	3500			
	3495	2415	4755	1215	6	10	6	10	6	10	3500	3500	3500			
FFT	3555	1890	4815	690	6	8	6	8	6	8	3400	3400	3400			
	3960	2025	5220	825	6	8	6	8	6	8	3400	3400	3400			
	4380	2165	5640	965	6	5	6	8	6	8	3375	3375	3400			
	4820	2335	6085	1135	6	3	6	8	6	8	3250	3250	3350			
	5205	2515	6465	1315	6	3	6	8	6	5	2600	3150	3250			
	5655	2665	6915	1465	6	3	6	5	6	3	1975	3050	3150			



CROWN

www.crown.com

Because Crown is continually improving its products, specifications are subject to change without notice.

Crown, the colour beige, and the Momentum symbol are trademarks of Crown Equipment Corporation.

Copyright 2013 Crown Equipment Corporation

Ref: ASF0034

Printed in Australia.