

**CROWN**

# C-D<sup>x</sup>

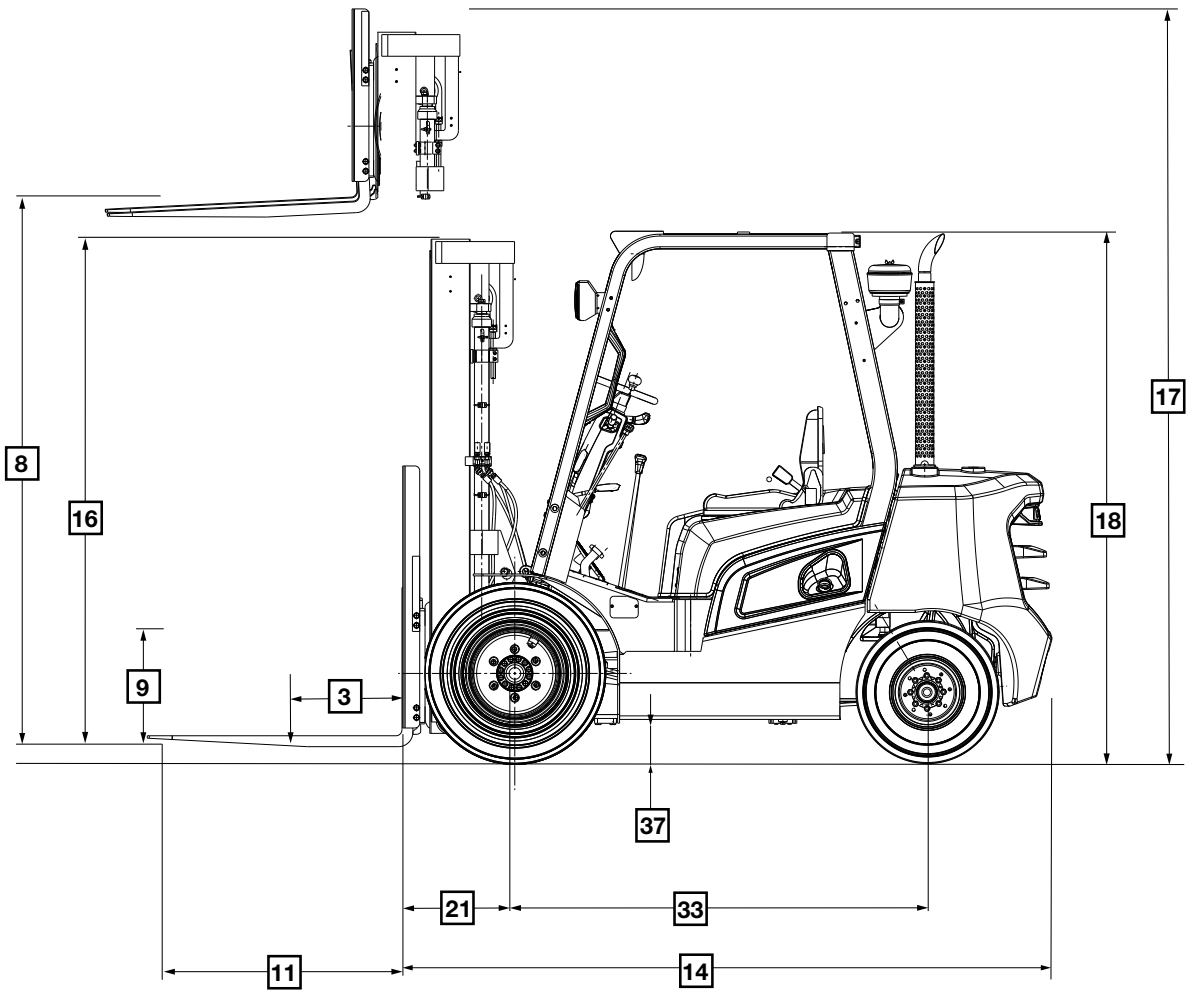
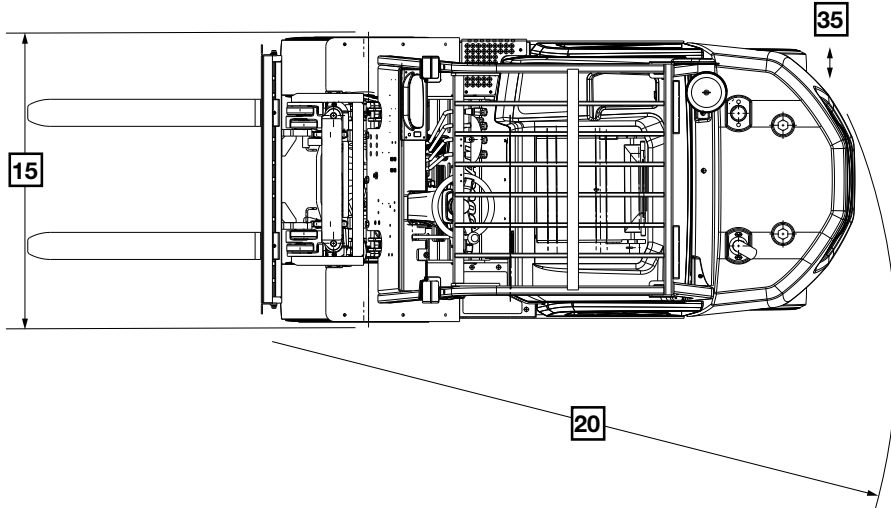
**2,000–3,500 kg Capacity**

NX Model

IC Pneumatic Tyre

## Specifications





Characteristics	1	Model		CD20NX	CD25NX	CD30NX	
	2	Load Capacity	At Rated Load Centre	kg	2000	2500	3000
	3	Load Centre		mm	500	500	500
	4	Power Type	Elec, Diesel, LPG, Petrol		Diesel	Diesel	Diesel
	5	Operator Type			Sit-down	Sit-down	Sit-down
	6	Tyre Type	P:Pneumatic		P	P	P
	7	Wheels (x = driven)	Front / Rear		x 2 / 2	x 2 / 2	x 2 / 2
Dimensions	8	Maximum Fork Ht.	with Std 2-Stage Mast	mm	3,000	3,000	3,000
	9	Free Lift		mm	150	150	150
	10	Fork carriage	ISO Class		II	II	III
	11	Forks	Length x Width x Thickness	mm	1050x100x45	1050x100x45	1050x122x45
	12		Fork Carriage Width	mm	1042	1042	1042
	13	Tilt of Mast	Forward / Backward	deg	6 / 10	6 / 10	6 / 10
	14	Overall Dimensions	Length to Fork Face	mm	2,560	2,610	2,665
	15		Overall Width	mm	1290	1290	1290
	16		Mast Lowered Height	mm	2053	2053	2053
	17		Mast Extended Height*	mm	4247	4247	4247
	18		Overhead Guard Height	mm	2160	2160	2160
	19		Seat Height	mm	1185	1185	1185
	20	Turning Radius	Minimum Outside	mm	2275	2325	2410
21	Load Distance	Center of Drive Axle to Fork Face	mm	467	467	472	
Performance	22	Travel Speed	Loaded / Unloaded	km/h	20 / 21	20 / 21	20 / 21
	23	Lifting Speed	Loaded / Unloaded	mm/s	560 / 600	560 / 600	560 / 600
	24	Lowering Speed	Loaded / Unloaded	mm/s	485 / 560	485 / 560	485 / 560
	25	Max Drawbar Pull	<b>Powershift Electrical</b> Loaded/Unloaded	N	22,456 / 21,339	22,264 / 21,269	22,078 / 21,205
		Max Drawbar Pull	<b>Powershift Mechanical</b> Loaded/Unloaded	N	22,723 / 21,651	22,264 / 21,534	22,167 / 21,355
	26	Max Gradeability	<b>Powershift Electrical</b> Loaded/Unloaded	%	44 / 74	37 / 65	33 / 60
Max Gradeability		<b>Powershift Mechanical</b> Loaded/Unloaded	%	46 / 76	37 / 65	35 / 62	
Weight	27	Total Weight	Unloaded	kg	3635	3920	4385
	28	Axle Load	Loaded, Front / Rear	kg	4925 / 710	5560 / 860	6475 / 910
			Unloaded, Front / Rear	kg	1705 / 1930	1720 / 2200	1785 / 2600
Chassis	30	Tyres	Size, Front Single		28x9-15-14PR	28x9-15-14PR	28x9-15-14PR
	31		Size, Rear		6.50-10-10PR	6.50-10-10PR	6.50-10-10PR
	32	Wheelbase	Distance	mm	1700	1700	1700
	33	Tread Width	Front	mm	1,060	1,060	1,060
			Rear	mm	980	980	980
	35	Ground Clearance	Loaded at the lowest point	mm	132	132	132
			Loaded at centre of wheelbase	mm	135	135	135
	37	Brakes	Service		Hydraulic	Hydraulic	Hydraulic
			Parking		Ratchet	Ratchet	Ratchet
	Power Train	39	Battery	Voltage / Ampere	V/AH	12 / 90	12 / 90
40		Engine	Manufacturer / <b>Weichai</b>		WP 3.2	WP 3.2	WP 3.2
			Rated Power (DIN)	kW@rpm	36.8@2,500	36.8@2,500	36.8@2,500
			Maximum Torque	n_m@rpm	200@1,700	200@1,700	200@1,700
			Cycle/Cylinders/Displacements	CC	4 / 4 / 3,200	4 / 4 / 3,200	4 / 4 / 3,200
44		Transmission	Type		Powershift Electrical or Mechanical	Powershift Electrical or Mechanical	Powershift Electrical or Mechanical
			Number of Speeds (Fwd / Rev)		1 / 1	1 / 1	1 / 1
45		Attachments	Oil Volume	lpm	65	65	65
			Operating Pressure	bar	160	160	160

Dimensions based on a TL 2-Stage mast.

Note: Specification values quoted in this specification sheet have been rounded. Performance may vary due to operation conditions. Products and specifications are subject to improvement and change without prior notices.

\* Extended height to top of mast does include load backrest.

# C-D<sup>x</sup> Series

# Specifications

Characteristics	1	Model		CD33NX	CD35NX	
	2	Load Capacity	At Rated Load Centre	kg	3300	3500
	3	Load Centre		mm	500	500
	4	Power Type	Elec, Diesel, LPG, Petrol		Diesel	Diesel
	5	Operator Type			Sit-down	Sit-down
	6	Tyre Type	P:Pneumatic		P	P
	7	Wheels (x = driven)	Front / Rear		x 2 / 2	x 2 / 2
Dimensions	8	Maximum Fork Ht.	with Std 2-Stage Mast	mm	3,000	3,000
	9	Free Lift		mm	150	150
	10	Fork carriage	ISO Class		III	III
	11	Forks	Length x Width x Thickness	mm	1050x125x45	1050x125x45
	12		Fork Carriage Width	mm	1042	1042
	13	Tilt of Mast	Forward / Backward	deg	6 / 10	6 / 10
	14	Overall Dimensions	Length to Fork Face	mm	2,730	2,750
	15		Overall Width	mm	1290	1290
	16		Mast Lowered Height	mm	2053	2053
	17		Mast Extended Height*	mm	4247	4247
	18		Overhead Guard Height	mm	2160	2160
	19		Seat Height	mm	1185	1185
	20	Turning Radius	Minimum Outside	mm	2455	2475
21	Load Distance	Center of Drive Axle to Fork Face	mm	477	477	
Performance	22	Travel Speed	Loaded / Unloaded	km/h	20 / 21	20 / 21
	23	Lifting Speed	Loaded / Unloaded	mm/s	480 / 500	460 / 480
	24	Lowering Speed	Loaded / Unloaded	mm/s	470 / 495	470 / 495
	25	Max Drawbar Pull	<b>Powershift Electrical</b> Loaded/Unloaded	N	21,954 / 21,155	21,832 / 21,081
		Max Drawbar Pull	<b>Powershift Mechanical</b> Loaded/Unloaded	N	22,006 / 21,287	21,998 / 21,268
	26	Max Gradeability	<b>Powershift Electrical</b> Loaded/Unloaded	%	30 / 56	28 / 51
		Max Gradeability	<b>Powershift Mechanical</b> Loaded/Unloaded	%	32 / 57	30 / 49
	Weight	27	Total Weight	Unloaded	kg	4585
28		Axle Load	Loaded, Front / Rear	kg	6935 / 950	7205 / 980
			Unloaded, Front / Rear	kg	1720 / 2865	1650 / 3035
Chassis	30	Tyres	Size, Front Single		28x9-15-14PR	28x9-15-14PR
	31		Size, Rear		6.50-10-10PR	6.50-10-10PR
	32	Wheelbase	Distance	mm	1700	1700
	33	Tread Width	Front	mm	1,060	1,060
			Rear	mm	980	980
	35	Ground Clearance	Loaded at the lowest point	mm	132	132
			Loaded at centre of wheelbase	mm	135	135
	37	Brakes	Service		Hydraulic	Hydraulic
Parking				Ratchet	Ratchet	
Power Train	39	Battery	Voltage / Ampere	V/AH	12 / 90	12 / 90
	40	Engine	Manufacturer / <b>Weichai</b>		WP 3.2	WP 3.2
			Rated Power (DIN)	kW@rpm	36.8@2,500	36.8@2,500
			Maximum Torque	n_m@rpm	200@1,700	200@1,700
			Cycle/Cylinders/Displacements	CC	4 / 4 / 3,200	4 / 4 / 3,200
	44	Transmission	Type		Powershift Electrical or Mechanical	Powershift Electrical or Mechanical
			Number of Speeds (Fwd / Rev)		1 / 1	1 / 1
45	Attachments	Oil Volume	lpm	65	65	
		Operating Pressure	bar	160	160	

Dimensions based on a TL 2-Stage mast.

Note: Specification values quoted in this specification sheet have been rounded. Performance may vary due to operation conditions. Products and specifications are subject to improvement and change without prior notices.

\* Extended height to top of mast does include load backrest.

**Mast Chart CD20NX**

Mast Type	Maximum Fork Height	Maximum Lowered Height	Fully Extended Height	Free Lift	Rated Load Capacities							
					With Load Backrest*	With Load Backrest*	Tilt Angle				Load Capacities	
							Single Pneum.		Double Pneum.		Single Pneum.	Double Pneum.
							FWD	BWD	FWD	BWD	LC500mm	LC500mm
				deg	deg	deg	deg	kg	kg			
TL	3,000	2,045	4,247	150	6	10	6	10	2,000	2,000		
	3,300	2,195	4,547	150	6	10	6	10	2,000	2,000		
	3,500	2,295	4,747	150	6	10	6	10	2,000	2,000		
	4,000	2,595	5,347	150	6	6	6	6	2,000	2,000		
	4,500	2,845	5,847	150	6	6	6	6	2,000	2,000		
	5,000	3,095	6,347	150	6	6	6	6	2,000	2,000		
TF	3,210	2,155	4,474	950	6	10	6	10	2,000	2,000		
TT	4,270	2,005	5,554	800	6	6	6	6	2,000	2,000		
	4,710	2,145	5,974	940	6	6	6	6	1,950	2,000		
	5,540	2,495	6,799	1,290	6	6	6	6	1,800	1,870		
	5,990	2,645	7,249	1,440	6	6	6	6	1,300	1,800		
	7,060	3,145	8,298	1,940	6	6	6	6	600	1,500		

\* Based on 1156mm LBR

**Mast Chart CD25NX**

Mast Type	Maximum Fork Height	Maximum Lowered Height	Fully Extended Height	Free Lift	Rated Load Capacities							
					With Load Backrest*	With Load Backrest*	Tilt Angle				Load Capacities	
							Single Pneum.		Double Pneum.		Single Pneum.	Double Pneum.
							FWD	BWD	FWD	BWD	LC500mm	LC500mm
				deg	deg	deg	deg	kg	kg			
TL	3,000	2,045	4,247	150	6	10	6	10	2,500	2,500		
	3,300	2,195	4,547	150	6	10	6	10	2,500	2,500		
	3,500	2,295	4,747	150	6	10	6	10	2,500	2,500		
	4,000	2,595	5,347	150	6	6	6	6	2,500	2,500		
	4,500	2,845	5,847	150	6	6	6	6	2,500	2,500		
	5,000	3,095	6,347	150	6	6	6	6	2,500	2,500		
TF	3,210	2,155	4,474	950	6	10	6	10	2,500	2,500		
TT	4,270	2,005	5,554	800	6	6	6	6	2,400	2,450		
	4,710	2,145	5,974	940	6	6	6	6	2,300	2,350		
	5,540	2,495	6,799	1,290	6	4	6	4	1,900	2,200		
	5,990	2,645	7,249	1,440	6	4	6	4	1,400	2,100		
	7,060	3,145	8,298	1,940	6	4	6	4	650	1,600		

\* Based on 1156mm LBR

**Mast Chart CD30NX**

Mast Type	Maximum Fork Height	Maximum Lowered Height	Fully Extended Height	Free Lift	Rated Load Capacities					
					With Load Backrest*	With Load Backrest*	Tilt Angle			
			Single Pneum.				Double Pneum.		Single Pneum.	Double Pneum.
			FWD	BWD			FWD	BWD	LC500mm	LC500mm
	mm	mm	mm	mm	deg	deg	deg	deg	kg	kg
TL	3,000	2,045	4,247	150	6	10	6	10	3,000	3,000
	3,300	2,195	4,547	150	6	10	6	10	3,000	3,000
	3,500	2,295	4,747	150	6	10	6	10	3,000	3,000
	4,000	2,595	5,347	150	6	6	6	6	3,000	3,000
	4,500	2,845	5,847	150	6	4	6	4	2,950	3,000
	5,000	3,095	6,347	150	6	4	6	4	2,800	2,800
TF	3,210	2,155	4,474	950	6	10	6	10	3,000	3,000
TT	4,270	2,005	5,554	800	6	6	6	6	2,800	2,900
	4,710	2,145	5,974	940	6	4	6	4	2,650	2,800
	5,540	2,495	6,799	1,290	6	4	6	4	2,000	2,600
	5,990	2,645	7,249	1,440	6	4	6	4	1,500	2,450
	7,060	3,145	8,298	1,940	6	4	6	4	700	1,700

\* Based on 1156mm LBR

**Mast Chart CD33NX**

Mast Type	Maximum Fork Height	Maximum Lowered Height	Fully Extended Height	Free Lift	Rated Load Capacities					
					With Load Backrest*	With Load Backrest*	Tilt Angle			
			Single Pneum.				Double Pneum.		Single Pneum.	Double Pneum.
			FWD	BWD			FWD	BWD	LC500mm	LC500mm
	mm	mm	mm	mm	deg	deg	deg	deg	kg	kg
TL	3,000	2,045	4,247	150	6	10	6	10	3,300	3,300
	3,300	2,195	4,547	150	6	10	6	10	3,300	3,300
	3,500	2,295	4,747	150	6	10	6	10	3,300	3,300
	4,000	2,595	5,347	150	6	6	6	6	3,300	3,300
	4,500	2,845	5,847	150	6	4	6	4	3,220	3,220
	5,000	3,095	6,347	150	6	4	6	4	2,900	3,050
TF	3,210	2,155	4,474	950	6	10	6	10	3,300	3,300
TT	4,270	2,005	5,554	800	6	6	6	6	3,050	3,050
	4,710	2,145	5,974	940	6	4	6	4	2,900	2,950
	5,540	2,495	6,799	1,290	6	4	6	4	2,100	2,750
	5,990	2,645	7,249	1,440	6	4	6	4	1,600	2,600
	7,060	3,145	8,298	1,940	6	4	6	4	750	1,800

\* Based on 1156mm LBR

**Mast Chart CD35NX**

Mast Type	Maximum Fork Height	Maximum Lowered Height	Fully Extended Height	Free Lift	Rated Load Capacities					
					With Load Backrest*	With Load Backrest*	Tilt Angle			
			Single Pneum.				Double Pneum.		Single Pneum.	Double Pneum.
			FWD	BWD			FWD	BWD	LC500mm	LC500mm
deg	deg	deg	deg	kg	kg					
TL	3,000	2,045	4,247	150	6	10	6	10	3,500	3,500
	3,300	2,195	4,547	150	6	10	6	10	3,500	3,500
	3,500	2,295	4,747	150	6	10	6	10	3,500	3,500
	4,000	2,595	5,347	150	6	6	6	6	3,500	3,500
	4,500	2,845	5,847	150	6	4	6	4	3,360	3,350
	5,000	3,095	6,347	150	6	4	6	4	3,000	3,200
TF	3,210	2,155	4,474	950	6	10	6	10	3,500	3,500
TF	4,270	2,005	5,554	800	6	6	6	6	3,210	3,200
	4,710	2,145	5,974	940	6	4	6	4	3,100	3,100
	5,540	2,495	6,799	1,290	6	4	6	4	2,200	2,880
	5,990	2,645	7,249	1,440	6	4	6	4	1,700	2,750
	7,060	3,145	8,298	1,940	6	6	6	6	1,300	1,800

\* Based on 1156mm LBR

**Standard Features**

1. Weichai 3.2 Liter, 4 Cylinder Inline Diesel
2. Single Speed Powershift Electrical or Mechanical
3. Power Drum Brakes
4. Easy Side Panel Removal — No tools required
5. Large Entry Grip Bar
6. Anti-Skid Step Plate
7. Panoramic Mirror
8. Adjustable Steering Column
9. Steering Knob
10. LED Combination Lamps

**Optional Equipment**

1. Heavy Duty Radiator
2. Radiator Screen
3. High-Speed Fan
4. Pre-Cleaner
5. Vented Side Panel
6. Dual Element Air Cleaner
7. Modular Cabin Styles
8. Rear Grab Bar with Horn
9. Quick Disconnect Hose Couplings
10. Heater
11. Fan

**Warning Device Options**

Audible or Visual Alerts

Safety considerations and dangers associated with audible travel alarms and lights include:

- Multiple alarms and/or lights can cause confusion.
- Workers ignore the alarms and/or lights after day-in, day-out exposure.
- Operator may transfer the responsibility for “looking out” to the pedestrians.
- Annoys operators and pedestrians.

**Other Options Available**

Contact factory for additional options.

*Dimensions and performance data given may vary due to manufacturing tolerances. Performance is based on an average-size vehicle and is affected by weight, condition of vehicle, how it is equipped and the conditions of the operating area. Products and specifications are subject to change without notice.*



**Crown Equipment Corporation**

New Bremen, Ohio 45869 USA

**Tel** 419-629-2311

**Fax** 419-629-3796

[crown.com](http://crown.com)

Because Crown is continually improving its products, specifications are subject to change without notice.

Notice: Not all products and product features are available in all countries in which this literature is published.

Crown, the Crown logo, the colour beige and the Momentum symbol are trademarks of Crown Equipment Corporation in the United States and other countries.

Copyright 2020-2021 Crown Equipment Corporation  
SF20248-006 Rev. 01-21  
Printed in USA