

CROWN

Specifications

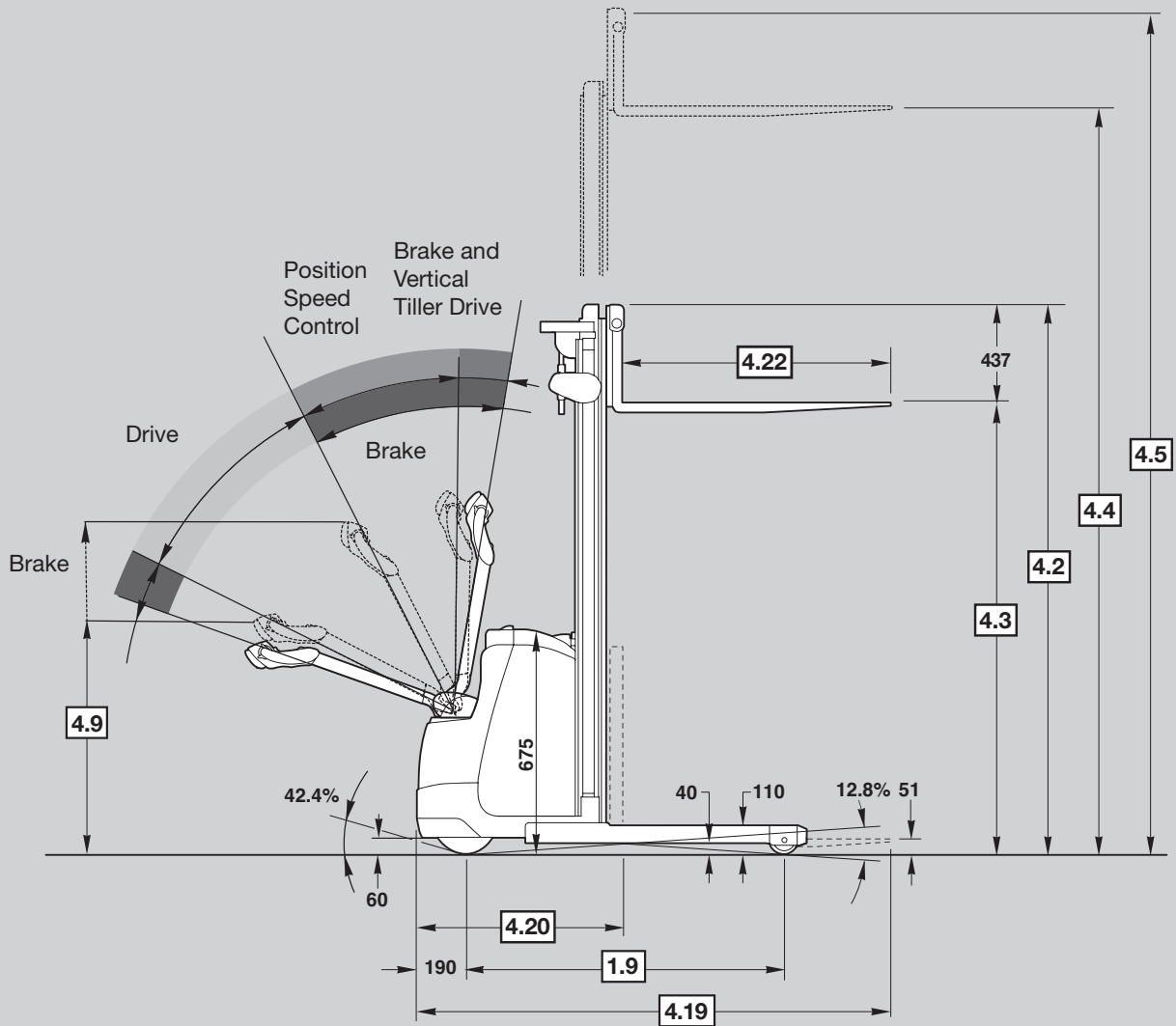
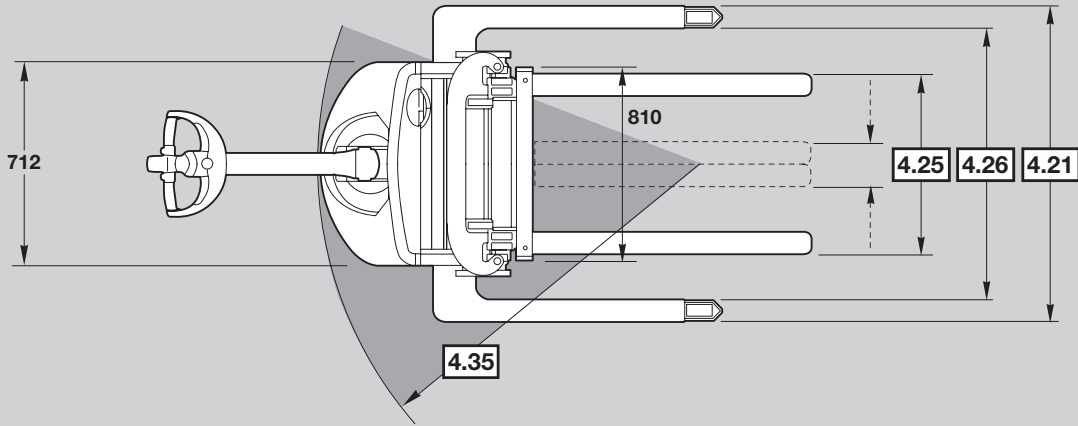
ST/SX 3200 Series

Pedestrian Powered
Stacker

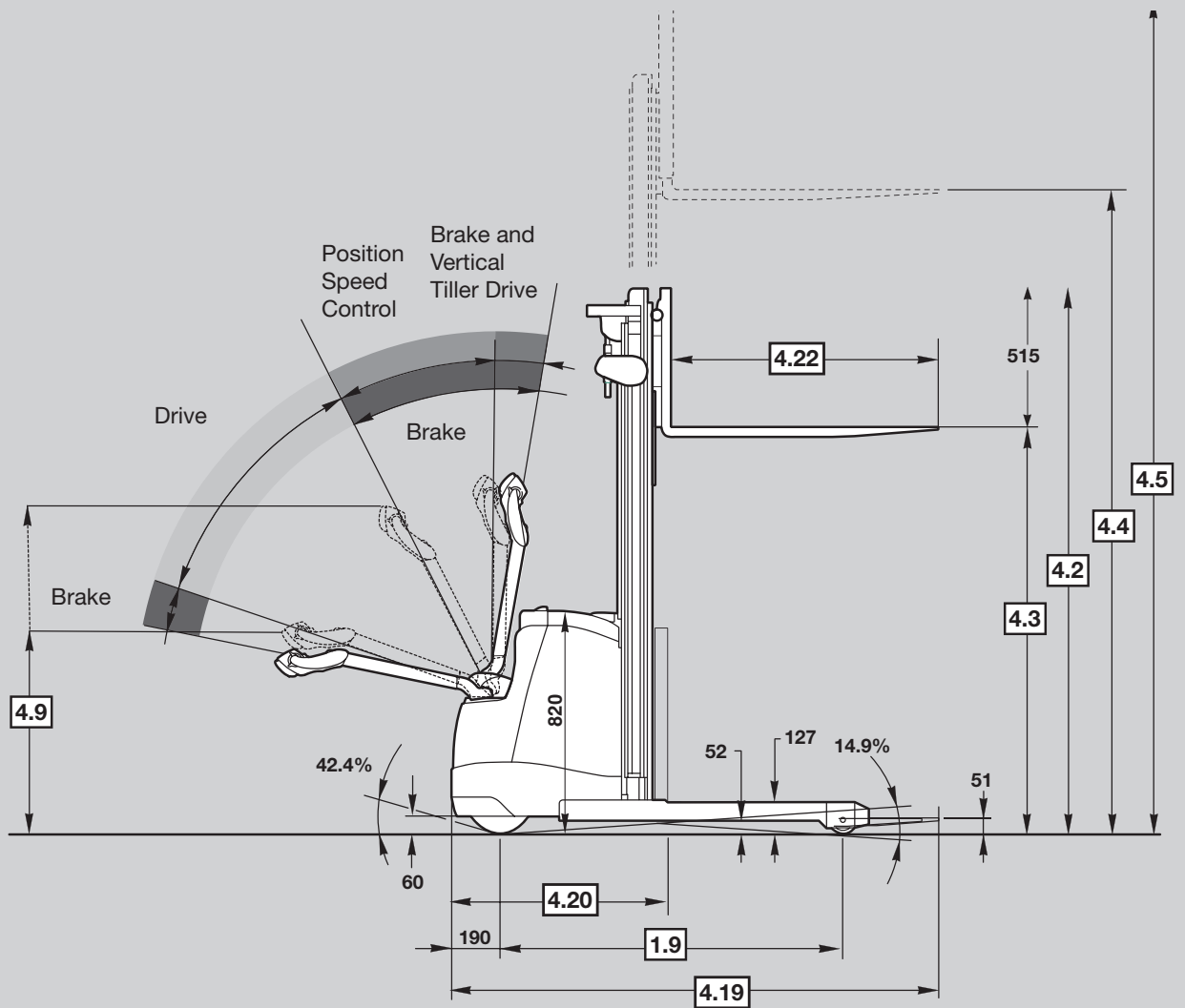
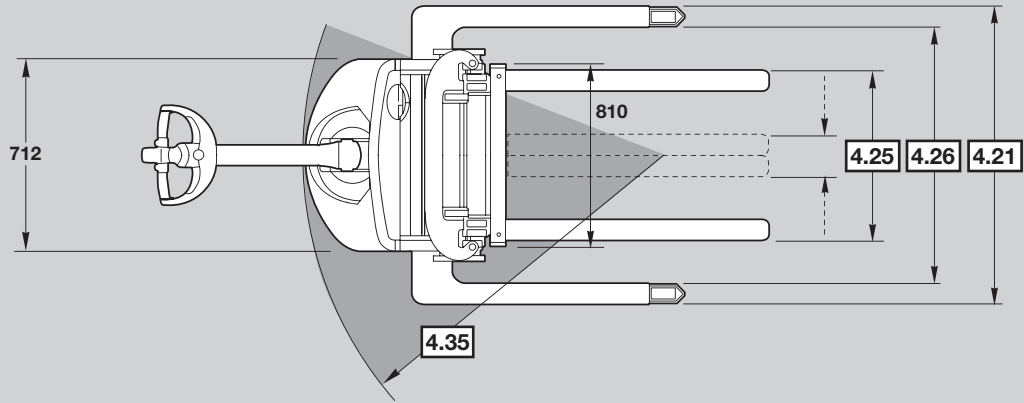
ST 3200 **SX 3200** Series



ST / SX 3200



ST / SX 3200





ST/SX 3200 Series

Stacker

| | | | | | | | | | | | |
|---------------------|----------------------------|---|---------------------------|----------------|-----------------|--------------------------|---------------------------|--------------------------|--------------------------|--------------------------|--|
| General Information | 1.1 | Manufacturer | | | | Crown Equipment | | | | | |
| | 1.2 | Model | | | | ST 3200 1.0 | ST 3200 1.2^ | SX 3200 1.5 | | | |
| | | Mast Type | | | mm | see Table | | | | | |
| | 1.3 | Power | | | | Electric | | | | | |
| | 1.4 | Operator Type | | | | Walkie | | | | | |
| | 1.5 | Load Capacity | Max | Q | kg | 1000 | 1200 | 1500 | | | |
| | 1.6 | Load Centre | | c | mm | 600 | | | | | |
| | 1.9 | Wheelbase | | y | mm | 1255 | | | 1362 | | |
| 2.1 | Weight Less Battery | | | mm | see Table | | | | | | |
| Tyres | 3.2 | Wheel Size | Front | STD | Vulkollan | | ø 254 x 85 | | | | |
| | | | Front | OPT | Rubber | | ø 254 x 100 | | | | |
| | 3.3 | Wheel Size | Rear (load) | | Vulkollan | | ø 102 x 50 | | ø 127 x 50 | | |
| | 3.4 | Additional Wheels | Castor Wheels | | Poly | | ø 90 x 50† | | | | |
| | 3.5 | Wheels | Number (x=driven) | | | | 1x, 2†/2 | | | | |
| Dimensions | 4.2 | Mast | Collapsed Height | | h ₁ | mm | see Table | | | | |
| | 4.3 | Free Lift | w/o Load Backrest | | h ₂ | mm | see Table | | | | |
| | 4.4 | Lift Height | | | h ₃ | mm | see Table | | | | |
| | 4.5 | Mast | Extended height w.o.lbr. | | h ₄ | mm | see Table | | | | |
| | 4.9 | Tiller Arm Height | In drive position min/max | | h ₁₄ | mm | 785/1197 | | | | |
| | 4.10 | Outrigger Height | | | h ₈ | mm | 112 | 127 | | | |
| | 4.15 | Lowered Fork Height | | | h ₁₃ | mm | 51 | | | | |
| | 4.19 | Overall Length | | | l ₁ | mm | Head Length + Fork Length | | | | |
| | 4.20 | Head Length | | | l ₂ | mm | see Table | | | | |
| | 4.21 | Overall Width | Front | | | b ₁ | mm | 712 | | | |
| | | | Rear | | | b ₁ | mm | Inside Straddle + 150 | Inside Straddle + 160 | Inside Straddle + 150 | |
| | 4.22 | Fork Dimensions | | | th.w. | mm | 38 x 76 | | 38 x 102 | | |
| | | Fork Length | | | l | | 915/1067/1219 | | | | |
| | 4.24 | Fork Carriage Width | | | b ₃ | mm | 675 | | 810 | | |
| | 4.25 | Width Across Forks | | | b ₃ | mm | 268 - 610 | | 250/785 | | |
| 4.26 | Inside Straddle | Infinite adjustment | | b ₄ | mm | 965 - 1270 | | 965 - 1270†† | | | |
| 4.31 | Ground Clearance | w/Load below Mast | | m ₁ | mm | 40 | | | | | |
| 4.32 | | Centre Wheelbase | | m ₂ | mm | 50 | 52 | | | | |
| 4.33 | Working Aisle Width | Intersect at aisle w. std | | Ast | mm | see aisle planning guide | | | | | |
| 4.34 | Working Aisle Width | Staking w. std pallet | | Ast | mm | see aisle planning guide | | | | | |
| 4.35 | Turning Radius | | | Wa | mm | 1446 | | 1553 | | | |
| 5.1 | Travel Speed | w/wo Load | | | km/h | 5.9/5.9 | | 5.9/5.7 | | | |
| 5.2 | Lift Speed | w/wo Load | | | m/s | 0.12/0.20 | 0.11/0.17 | | 0.14/0.24 | | |
| 5.3 | Lowering Speed | w/wo Load | | | m/s | 0.22/0.22 | | 0.30/0.26 | | | |
| | Gradeability | w/wo Load, 30min Rating | | | % | 4.9/9.1 | | 4.4/8.7 | | | |
| 5.8 | Max Gradeability | w/wo Load, 5min Rating | | | % | 8.4/15.7 | | 9.5/19.4 | | | |
| 5.10 | Service Brake | | | | | Electric | | | | | |
| 6.1 | Traction Motor | 60min Rating | | | kW | 1.5 | | | | | |
| 6.2 | Lift Motor | | | | kW | 2.2 | 3.0 | 3.0 | | | |
| Battery | 6.3 | Maximum Battery Box | DIN 43535 / A | | lxwxh | mm | 185 x 649 x 613 | | | 230 x 670 x 600 | |
| | 6.4 | Battery Voltage (nominal capacity 5 hour rating) | 4 x 6v MB Sealed | | | V/Ah | 24/190 | ----- | | ----- | |
| | | | Industrial Battery | | | V/Ah | ----- | 24/150 | 24/290 | | |
| 6.5 | Battery Weight | 4 x 6v MB Sealed | | | kg | 121 | ----- | | ----- | | |
| | | Industrial Battery | | | kg | ----- | 150 | 163 - 322 | | | |
| 8.1 | Drive Unit | Drive | | | | Transistor | | | | | |

† Castor wheel option on ST3200

†† Fixed outrigger (1220mm) on SX3200TT4860 and SX3200TT5500

^ Not available in Southeast Asia.

TABLE

| | MAST TYPE | | ST 3000 | | | SX 3000 | | | | | |
|------|----------------------------------|------------------|---------|------|------|---------|--------|--------|-------|------|------|
| | | | TL | TT | | TL | TT | | | | |
| 4.4 | Lift Height | | mm | 3220 | 3900 | 4250 | 3220 | 3900 | 4250 | 4860 | 5500 |
| 4.4a | Capacity at Lift Height** | | kg | 1000 | 1000 | 600 | 1500** | 1350** | 900** | 1000 | 650 |
| 4.2 | Mast | Collapsed height | mm | 2108 | 1858 | 1858 | 2110 | 1858 | 1858 | 2070 | 2280 |
| 4.3 | Free Lift | | mm | 150 | 1422 | 1422 | 150 | 1348 | 1348 | 1330 | 1740 |
| 4.5 | Extended Height | w/o L/Backrest | mm | 3655 | 4335 | 4685 | 3730 | 4410 | 4760 | 5370 | 6010 |
| 4.20 | Head Length | | mm | 819 | 837 | 837 | 869* | 887* | 887* | 887 | 887 |
| 2.1 | Weight | Less Battery | kg | 824 | 911 | 911 | 986 | 1076 | 1110 | 1138 | 1163 |

*Add 57mm for sideshift option.

**Deduct 136kg for sideshift option.

Note: Sideshift not available for 4860 & 5500mm masts.

AISLE PLANNING GUIDE
ST 3200 - Right Angle and Intersecting Aisle

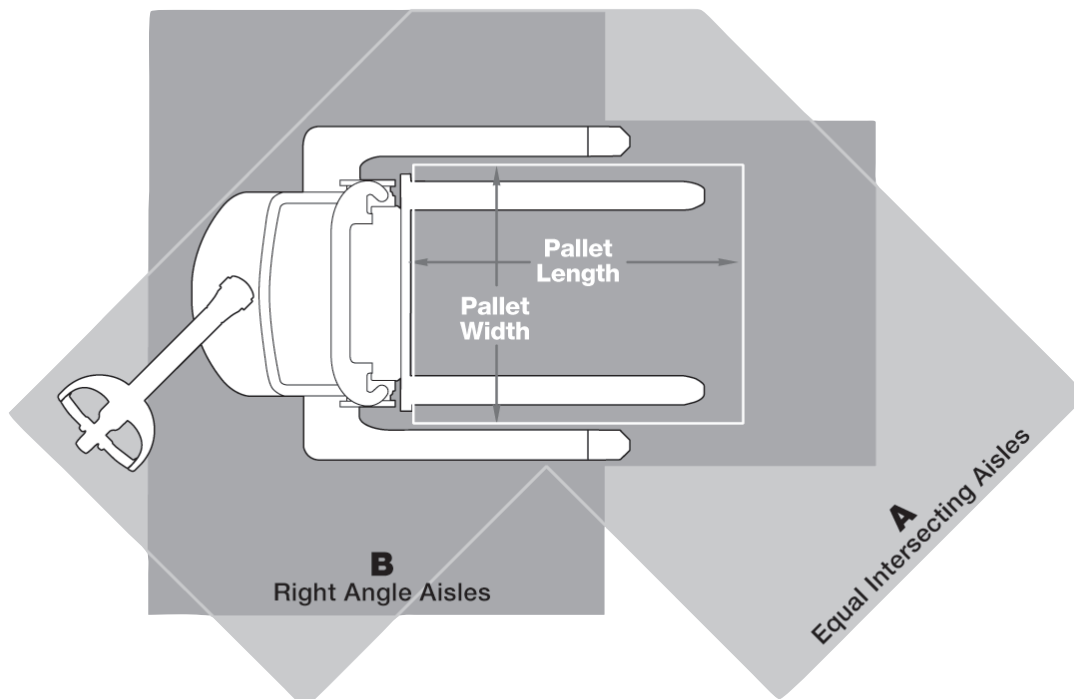
| Pallet Width | | Pallet Length | | | | | | | | | |
|--------------|----|---------------|------|------|------|------|------|------|------|------|------|
| | | 914 | | 1016 | | 1067 | | 1165 | | 1219 | |
| | | A | B | A | B | A | B | A | B | A | B |
| 914 | mm | 1463 | 1599 | 1463 | 1599 | 1463 | 1599 | 1463 | 1599 | 1463 | 1738 |
| 1016 | mm | 1546 | 1625 | 1546 | 1625 | 1546 | 1625 | 1546 | 1625 | 1546 | 1625 |
| 1067 | mm | 1588 | 1638 | 1588 | 1638 | 1588 | 1638 | 1588 | 1638 | 1588 | 1746 |
| 1165 | mm | 1707 | 1751 | 1707 | 1751 | 1707 | 1751 | 1707 | 1751 | 1707 | 1751 |
| 1219 | mm | 1715 | 1725 | 1715 | 1752 | 1715 | 1752 | 1715 | 1752 | 1715 | 1829 |

Add 152mm to all aisle dimensions for maximum manoeuvrability.

SX 3200 - Right Angle and Intersecting Aisle

| Pallet Width | | Pallet Length | | | | | | | | | |
|--------------|----|---------------|------|------|------|------|------|------|------|------|------|
| | | 914 | | 1016 | | 1067 | | 1165 | | 1219 | |
| | | A | B | A | B | A | B | A | B | A | B |
| 914 | mm | 1554 | 1704 | 1554 | 1704 | 1554 | 1704 | 1554 | 1704 | 1554 | 1722 |
| 1016 | mm | 1638 | 1730 | 1638 | 1730 | 1638 | 1730 | 1638 | 1730 | 1638 | 1730 |
| 1067 | mm | 1680 | 1743 | 1680 | 1743 | 1680 | 1743 | 1680 | 1743 | 1680 | 1743 |
| 1165 | mm | 1767 | 1811 | 1767 | 1811 | 1767 | 1811 | 1767 | 1811 | 1767 | 1811 |
| 1219 | mm | 1807 | 1851 | 1807 | 1851 | 1807 | 1851 | 1807 | 1851 | 1807 | 1851 |

Add 152mm to all aisle dimensions for maximum manoeuvrability.
Add 50mm if sideshift option is used.



Electric System / Batteries

24-volt electrical system with nominal battery capacities up to 222 Ah.

Standard Equipment

1. Maintenance free 3-phase (AC) traction
2. e-GEN Braking System offers regenerative and frictionless electric braking. Mechanical braking applies only as parking brake
3. The X10 Control Handle places all truck functions at the operator's fingertips
4. Batteries
 - ST 1.0: 190 Ah maintenance free
 - ST 1.2: 150 Ah wet cell industrial
 - SX: 180 Ah wet industrial; 200 Ah maintenance free
5. SB175 battery connector
6. Onboard 30A solid state charger
7. Drive tyre
 - ST: Rubber
 - SX: Vulkollan
8. Vulkollan Load Wheels
9. Castor Wheels
10. Ramp hold
11. Adjustable outriggers
12. Polycarbonate mast guard
13. Storage tray above battery
14. Battery discharge indicator with lift lockout and integrated hour meter and fault code readout
15. Fork tip indicators
16. Key Switch
17. Rabbit/turtle switch incorporates two levels of programmable travel performance
18. Proportional lifting/lowering
19. Position Speed Control
20. Vertical Tiller Drive

Optional Equipment

1. Drive tyre
 - ST: Vulkollan and Supertrac
 - SX: Rubber and Supertrac
2. Tandem load wheels
3. Load backrest
 - ST / SX: 832 x 1200 mm
4. Battery options: maintenance free, wet industrial or lithium-ion
5. Battery connector SBE 160 red
6. Freezer conditioning
7. Side shifter (SX)
8. Flashing light
9. Travel alarm
10. Work Assist options
11. Fork length and fork spread options
12. Special paint
13. Infolink Ready
14. Keypad
15. V-Force Lithium Ion Ready

Electrical System

24-volt fused electrical system with built in 30-amp charger. This premium fan-cooled, solid-state charger is durable and efficient. It has an advanced memory feature to allow for opportunity charging and can be set for either maintenance free or industrial batteries. A retractable power cord is standard.

Operator Area and Controls

The X10 Control Handle, designed for simultaneous operation of all functions with one hand, improves side-stance operation for maximum visibility in both driving directions. An ergonomic forward/reverse thumb wheel allows for precise manoeuvring. The hand grips are urethane covered for insulation from cold and vibration with integrated horn buttons for easy activation.

A rabbit/turtle switch incorporates two levels of programmable travel performance so operators can select the setting that matches their experience level or application requirements. Proportional lift and lowering allows easy and precise positioning of loads. The fast responsiveness and speeds of the lifting and lowering functions are designed to ensure high efficiency in all applications and all this together at a low noise level.

Position Speed Control

When operating in tight spaces such as retail stores with narrow aisles or inside lorries and elevators, the operator can move the tiller from the travel zone to the Position Speed Control zone. The travel speed in fork direction will then be automatically reduced to 1.5 km/h without the need to come to a halt and a further command from the operator. This ensures a smooth and productive workflow while avoiding unintentional interruptions.

Vertical Tiller Drive

The Vertical Tiller Drive function goes one step beyond. When activated, the truck can be moved at up to 1.5 km/h even in the upper braking zone by simply keeping the travel switch pressed in the desired direction. Reducing the turning radius of the truck, the system enables operators to easily move pallets while reducing goods damage cost.

e-GEN Braking System

The power of the high-torque AC traction motor is used to stop the truck and keep it static until a travel input is requested, even when operating on a gradient.

This system eliminates adjustments and wear points for a lifetime of maintenance free use. An automatic parking brake activates if the truck is stopped and the operator leaves the platform or power is disconnected.

Chassis

All models feature a heavy gauge one-piece welded steel frame backed by a lifetime warranty. Removable steel covers protect all critical system components. The low-profile power unit has been optimised to provide the best fork tip visibility available.

Safety Regulations

Conforms to APAC safety standards. Dimensions and performance data given may vary due to manufacturing tolerances. Performance is based on an average size vehicle and is affected by weight, condition of truck, how it is equipped and the conditions of the operating area. Crown products and specifications are subject to change without notice.



[crown.com](https://www.crown.com)

You can count on Crown to sell lift trucks designed for safe operation, but that's only part of the safety equation. Crown encourages safe operating practices through ongoing operator training, safety-focused supervision, maintenance and a safe working environment. [Go to crown.com](https://www.crown.com) and view our [safety section to learn more.](#)

Because Crown is continually improving its products, specifications are subject to change without notice.

Crown, the Crown logo, the color beige, and the Momentum symbol are trademarks of Crown Equipment Corporation in the United States and other countries.

Copyright 2023 Crown Equipment Corporation 2302.3723