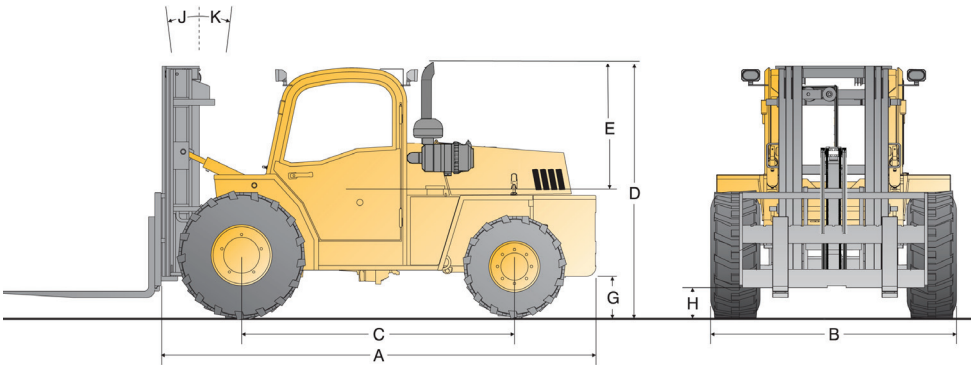


SLP low profile rough terrain forklift

Lift capacities of 5,000, 6,000 or 8,000 @ 24" load centre



| Model | Ref | SLP50 | SLP60 | SLP80 |
|---------------------------------------|-----|--|--|----------------|
| Lift capacities @ 24 inch load centre | | 5,000 lbs | 6,000 lbs | 8,000 lbs |
| Total weight (w/2 stage mast) | | 11,250 lbs | 13,422 lbs | 14,356 lbs |
| Overall length (without forks) | A | 147"/3,734 mm | 147"/3,734 mm | 148"/ 3,759 mm |
| Overall width | B | | 78"/1,981 mm | |
| Wheelbase | C | | 93"/2,362 mm | |
| Height to top of overhead guard | D | | 75"/1,905 mm 85"/2,159 mm | |
| Distance from seat to OHG | E | | 40"/1,016 mm (75" OHG) 45"/1,143 mm (85" OHG) | |
| Outside turning radius | | in 2WD mode: 178"/4,521 mm; in 4WD mode: 196"/4,978 mm | | |
| Frame underclearance | G | | 11"/279 mm | |
| Mast underclearance | H | | 12"/304 mm | |
| Mast sideshift | | | 6"/152 mm | |
| Mast tilt - forward | J | | 20° | |
| Mast tilt - rearward | K | | 10° | |
| Gradeability | | | 25% | |
| Tire size | | | Drive: 15-19.5-12 ply Steer: 12-16.5-10 ply | |
| Engine manufacturer & model | | Ecomax T4i turbocharged diesel | | |
| Cylinders | | 4 | | |
| Engine output (gross power) | | 74 hp @ 2,200 rpm | | |
| Peak torque | | 243 ft-lbs @ 1,100 rpm | | |
| Travel speed | | 15(24) mph (km/h) | | |

Because of our constant dedication to product improvement, all specifications are subject to change without notice.

All Sellick forklifts meet or exceed all ANSI B56.6 safety standards.