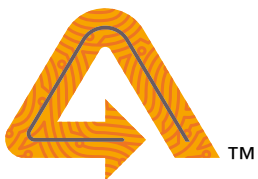


CROWN

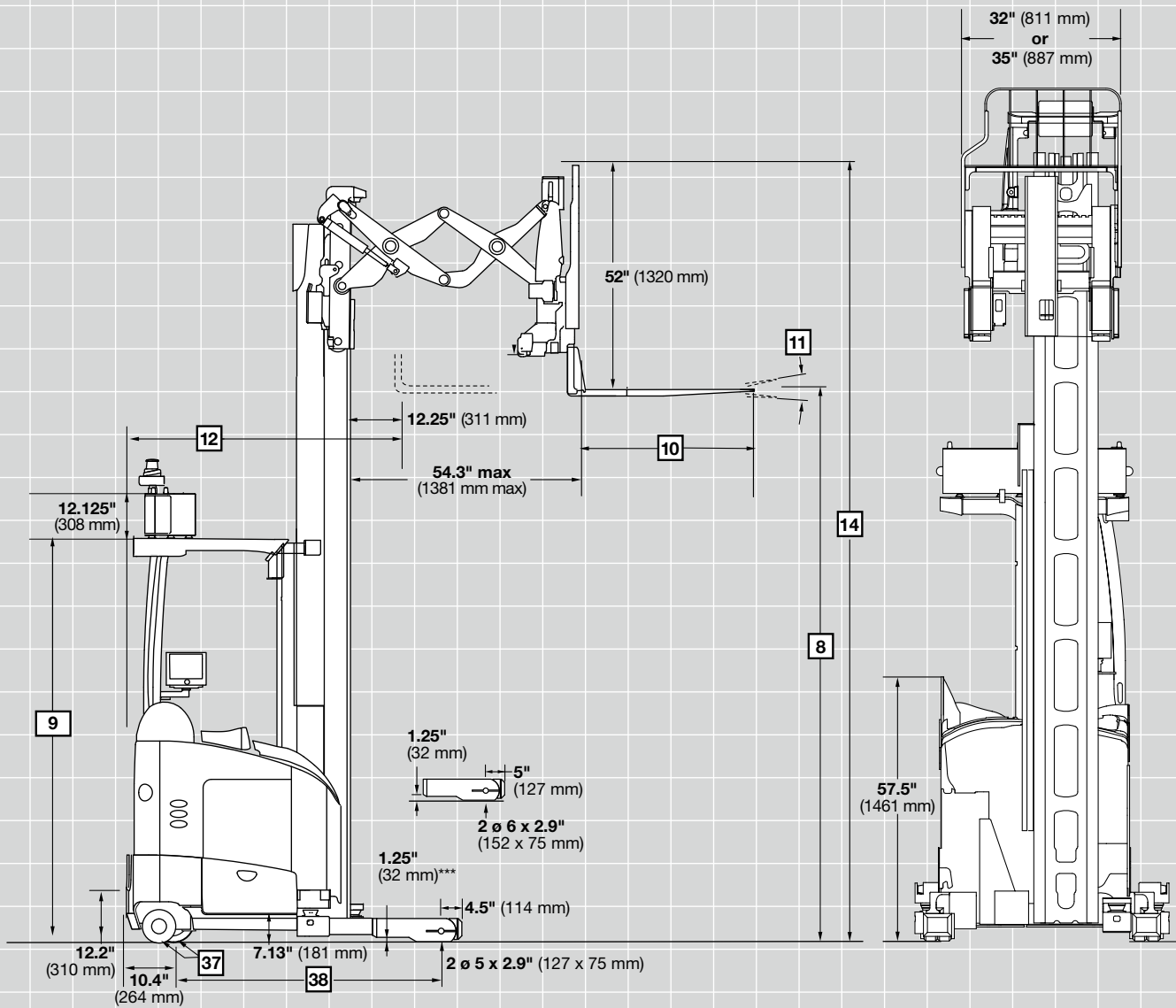
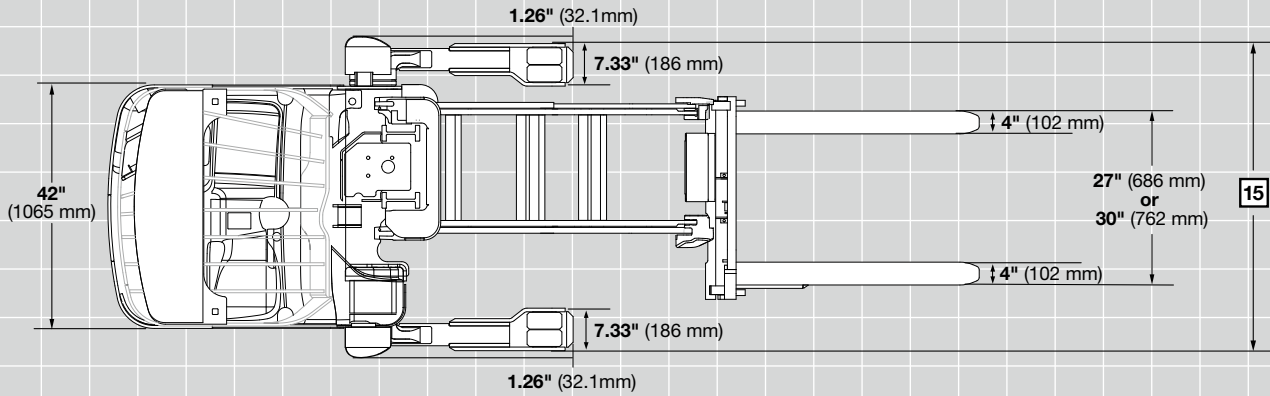
R 1000 SERIES

Specifications

DualMode R



DUALMODE | R



***1\"/>

R 1000 Series

Specifications

				Imperial	Metric		
General Information	1	Manufacturer		Crown Equipment Corporation			
	2	Model		R 1000-32			
	3	Load Capacity	Max	lb kg	3200	1450	
	4	Power	Electric		36 Volts		
	5	Operator Type	Double Reach		DualMode		
	6	Mast Type	High Visibility		MM		
	7	Tire Type	Parallel Load/Caster/Drive		Poly / Poly / Poly		
Dimensions	8	Lift Height		in mm	See Mast Chart		
	9	Guard Height		in mm	See Mast Chart		
	10	Forks	Standard L x W x T	in mm	36 x 4 x 1.57	914 x 100 x 40	
			Optional Lengths	in mm	39, 42, 45, 48	990, 1065, 1145, 1220	
	11	Carriage	Tilt F°/B°	degree	3/4		
	12	Headlength	Compartment "C"	in mm	61.9	1572	
			Compartment "D"	in mm	63.6	1615	
			Compartment "E"	in mm	66.3	1684	
13	Overall Collapsed Height		in mm	See Mast Chart Below			
14	Overall Extended Height		in mm	See Mast Chart Below			
15	Outrigger OD	In 1" (25mm) increments	in mm	49 - 72	1245 - 1830		
Performance	24	Speed Travel (Autonomous and Manual Mode)	Power Unit First (E/L) (Auto/Manual)	mph	4.5		
			Forks First (E/L Manual)	mph	4.5		
	25	Speed Lift - AC †	Max	fpm mm/s	160	813	
	26	Speed Xpress™ Lower	Max/Average	fpm mm/s	240 / 205	1219 / 1041	
	37	Tires	Size - Drive/Caster	in mm	13 x 5.5 / 8 x 4	330 x 140 / 203 x 102	
Chassis	38	Wheelbase (Standard Wheel)	Compartment "C"	in mm	60.51	1537	
			Compartment "D"	in mm	62.28	1582	
			Compartment "E"	in mm	64.88	1648	
	39	Suspension	Drive		Articulated		
			Caster		Articulated, Swivel		
	42	Brakes	Drive		Elec Release / Mech Applied		
Caster				None			
Parking				Elec Release / Mech Applied			

† Maximum lift speeds with the maximum available battery compartment.

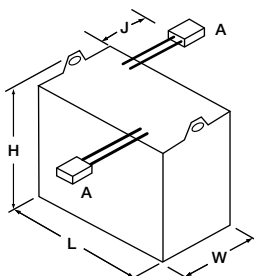
Mast Chart				R 1000-32																			
Mast	8	Lift Height	in mm	183	4650	201	5105	231	5865	261	6630	291	7390	312	7925	332	8435	357	9070	391	9930	400	10160
		Free Lift*	in mm	19	485	31	785	55	1395	67	1700	79	2005	88	2235	97	2465	108	2745	120	3050	119	3025
	9	Guard Height**	in mm	92	2335	98	2490	98	2490	98	2490	98	2490	98	2490	98	2490	98	2490	98	2490	98	2490
	13	Overall Collapsed Height	in mm	89	2260	95	2415	107	2720	119	3025	131	3325	140	3555	149	3785	160	4065	172	4370	175	4445
	14	Overall Extended Height*	in mm	235	5970	253	6425	283	7190	313	7950	343	8710	364	9245	384	9755	409	10390	443	11250	452	11480
		Minimum Straddle OD	in mm	49	1245	49	1245	49	1245	49	1245	49	1245	49	1245	49	1245	49	1245	49	1245	49	1245
Weights	Truck Weight w/o Battery																						
		"C"	lb kg	6808	3088	6927	3142	7095	3218	7404	3358	7664	3476	7950	3606								
		"D"	lb kg	6859	3111	6978	3165	7144	3240	7454	3381	7712	3498	7999	3628	8138	3691						
	"E"	lb kg	6899	3129	7018	3183	7185	3259	7494	3399	7754	3517	8039	3646	8178	3709	8429	3823	8643	3920	8706	3949	

* To reach carriage with load backrest 52" (1320 mm).
 Note: Above 312" (7925 mm), 6" (152 mm) high load wheel standard.

** DualMode electrical enclosure (elevated natural feature navigation not included) will add 12.125" (308 mm) to guard height

R 1000 Series

Specifications

Battery	Battery Removal	Both Sides (Right Side only with Auto Charge option)				
	45	Type	Lead Acid			
	46	 <p>* Width is measured on the side of the battery with lifting hooks</p>	Min Weight/Max Amp-hrs			
			"C" Battery Compartment- Up to 321" (8155 mm)	lb/Ah kg/Ah	2000 / 930	907 / 930
			"D" Battery Compartment- Up to 341" (8660 mm)	lb/Ah kg/Ah	2280 / 1085	1034 / 1085
			"E" Battery Compartment - ≤ 400" (10160 mm)	lb/Ah kg/Ah	2600 / 1240	1179 / 1240
		Max Battery Size		L x W x H		
		"C" Battery Compartment	in mm	38.38 x 16.25 x 31	975 x 413 x 787	
		"D" Battery Compartment	in mm	38.69 x 18.00 x 31	983 x 457 x 787	
		"E" Battery Compartment	in mm	38.69 x 20.75 x 31	983 x 527 x 787	
	Connector Location / Length (J)	A / 9"	A / 229 mm			
	Standard Connector	SB350 Gray				

Capacity

Model R 1000: 3200 lb (1450 kg) at 24" (600 mm) load center, 36 volt

Batteries

Battery removal from left or right side of truck. (Right side only with auto charge option). Standard battery compartment rollers for extraction with mechanized equipment.

Standard Equipment

1. DualMode vehicle with automation technology
 - Natural Feature navigation
 - Safety lasers
2. e-Gen® Braking System offers regenerative and frictionless electric braking (Mechanical braking applies only as parking brake)
3. Heavy-duty (6) roller reach carriage
4. Load height laser
5. MonoLift® mast
6. 36 volt system
7. Crown's Next-Generation Gena® Operating System
8. Xpress™ Lower
9. Integrated InfoLink Ready Hardware
 - Identification (ID) Reader
 - Impact sensor
 - WiFi radio
10. Connectivity
 - Cellular / wireless truck data collection
 - Wireless truck software updates
11. Factory configured settings
 - Speed cutback
 - Performance settings
12. 7" color touch screen display
 - Optically bonded 5/64 in (2 mm) thick capacitive touch screen
 - Deep drawn steel protective back cover
 - Integrated 5 button keypad
 - 25 available languages
 - Vehicle status icons
 - Customizable dashboard with widgets
 - Stopwatch
 - Battery discharge indicator
 - Steer wheel indicator
- Hour meter
- Auto height select
- Height/weight
- Clock
- Odometer
- Capacity data monitor
- Zone select
- Performance modes
- Step-by-step calibrations
- Maintenance mode
- Enhanced service diagnostics
- Safety reminders
13. Automated mode travel alarm and lighting alerts
14. External Speaker
15. AC Traction and Hydraulics with electronic power steering
16. Regenerative Lowering
17. OnTrac® Anti-Slip Traction Control
18. Operator Compartment
 - Variable side stance
 - Flexible five-point positioning
 - Back support with integral hip support
 - Arm/elbow support padding
 - Padded compartment interior walls
 - Operator console with work surface and storage
 - Entry Bar® safety switch
 - Suspended floor
 - 270 in² (1742 cm²) floor area
 - Premium urethane floorboard cushion
 - Work Assist® Mirror
19. Multi-task control handle
20. High visibility power unit
21. Polycarbonate mast guard
22. Integrated sideshift 4" (102 mm)
23. Load backrest – 52" (1320 mm)
24. Tilting fork carriage
25. Parallel load wheels
26. Lift slow down 12" (305 mm) from maximum lift height
27. Chain slack detection
28. Crown-manufactured drive and lift motors
29. Offset articulated drive axle with 190° steer arc
30. Horn

31. (4) Emergency power disconnect switches
32. 350 amp battery connector
33. Color-coded wiring
34. Third post
35. Forward steering
36. InfoPoint® System
37. Static Strap
38. Work Assist® Accessory Tube
39. Lift/Lower cutouts without override
40. Zone Select (Lift/Lower cutouts in 3 separate zones)
41. Auto height select
42. Tilt position assist
43. Keyless switch (off, manual, auto)
44. Bolt-on outrigger tips
45. Battery retainer with interlock
46. Large diameter battery rollers
47. 5th battery compartment roller
48. Flat overhead guard

Optional Equipment

1. Perimeter red zone lighting
2. Elevated natural feature navigation
3. Auto charge system - left side only
4. Lateral charge - manual charge port with the auto charge system
5. Camera and color monitor (Must be Collapsed Height ≥ 30" (762mm) above Overhead Guard)
6. Mesh screen mast guard
7. Plastic lens Work Assist® Mirror
8. Fork lengths
9. Work light
10. Plastic LED work light
11. Console area light
12. Load wheel sizes and compounds
13. Drive tire compounds
14. Reverse Steering
15. Short steer tiller
16. Adjustable 7" color touch screen display
17. Work Assist® Accessories:
 - Accessory RF

- mounting plate
- Accessory RF mounting bracket
- Accessory clamp
- Accessory clip pad
- Accessory hook
- Accessory clip pad and hook
- Accessory pocket
- Console light
- Fan
- 18. Lift/Lower cutouts with override
- 19. Impact strobe and alarm
- 20. V-Force® Lithium-Ion Ready

Warning Device Options

Audible or Visual Alerts

Safety considerations and dangers associated with audible travel alarms and lights include:

- Multiple alarms and/or lights can cause confusion.
- Workers ignore the alarms and/or lights after day-in and day-out exposure.
- Operator may transfer the responsibility for "looking out" to the pedestrians.
- Annoys operators and pedestrians.

Other Options Available

Contact factory for additional options.

Dimensions and performance data given may vary due to manufacturing tolerances. Performance is based on an average size vehicle and is affected by weight, condition of truck, how it is equipped and the conditions of the operating area. Crown products and specifications are subject to change without notice.



You can count on Crown to build lift trucks designed for safe operation, but that's only part of the safety equation. Crown encourages safe operating practices through ongoing operator training, safety-focused supervision, maintenance and a safe working environment. Go to crown.com and view our safety section to learn more.

Crown Equipment Corporation
New Bremen, Ohio 45869 USA
Tel 419-629-2311
Fax 419-629-3796
crown.com

Because Crown is continually improving its products, specifications are subject to change without notice.

Crown Lift Trucks with Gena Operating Systems are connected products. Please see crown.com for the data use policy to learn more.

Crown, the Crown logo, the color beige, the Momentum mark, the DualMode logo, the Automation Symbol, Gena, Access 1 2 3, InfoLink, MonoLift, OnTrac, Work Assist, InfoPoint, Xpress Lower, Entry Bar and V-Force are trademarks of Crown Equipment Corporation in the United States and other countries.

Copyright 2020 Crown Equipment Corporation
SF20303 12-20
Printed in U.S.A.