

**CROWN**



INTEGRITY  
**Parts**  
SYSTEM™



# SMART DESIGN

Crown designs and builds up to 85% of the components used in its forklifts. Along the way, we've learned a thing or two about designing parts that will perform to exacting standards and specifications.

The value of Crown Integrity Parts™ begins with design. Each lift truck part is an integral component of the entire truck's operation working together to support outstanding performance. Reliability, safety and durability are inherent in Crown's design resulting in increased uptime, fewer repairs and replacements, and reduced costs over time.

**Rotor**  
Minimizes braking wear for long life

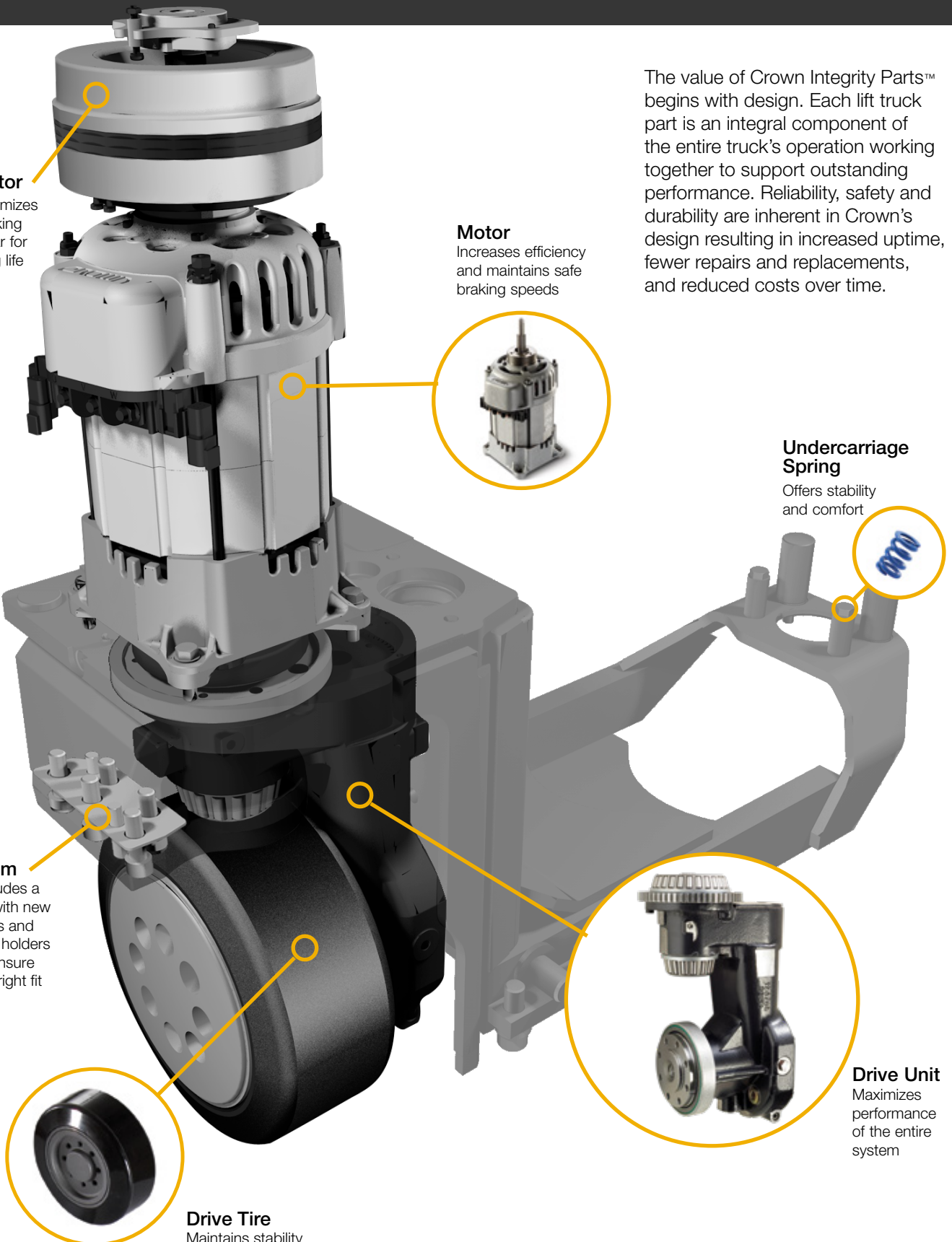
**Motor**  
Increases efficiency and maintains safe braking speeds

**Undercarriage Spring**  
Offers stability and comfort

**Shim**  
Includes a kit with new bolts and cup holders to ensure the right fit

**Drive Tire**  
Maintains stability and safe braking

**Drive Unit**  
Maximizes performance of the entire system



# QUALITY MATERIALS

Crown designs and specifies components to high precision and narrow tolerance levels using proven materials designed to deliver high performance and long-term value.

Crown Integrity Parts are designed for strength, durability and proper fitment, resulting in greater uptime and a low total cost of forklift ownership.

Whether manufactured in-house or secured from third-party suppliers, Crown Integrity Parts undergo a stringent qualification process that ensures consistent and reliable performance, long life and ease of replacement that helps to extend replacement cycles and reduce the down time associated with them.



**Longer Life** + **More Uptime** = **Lower Cost**

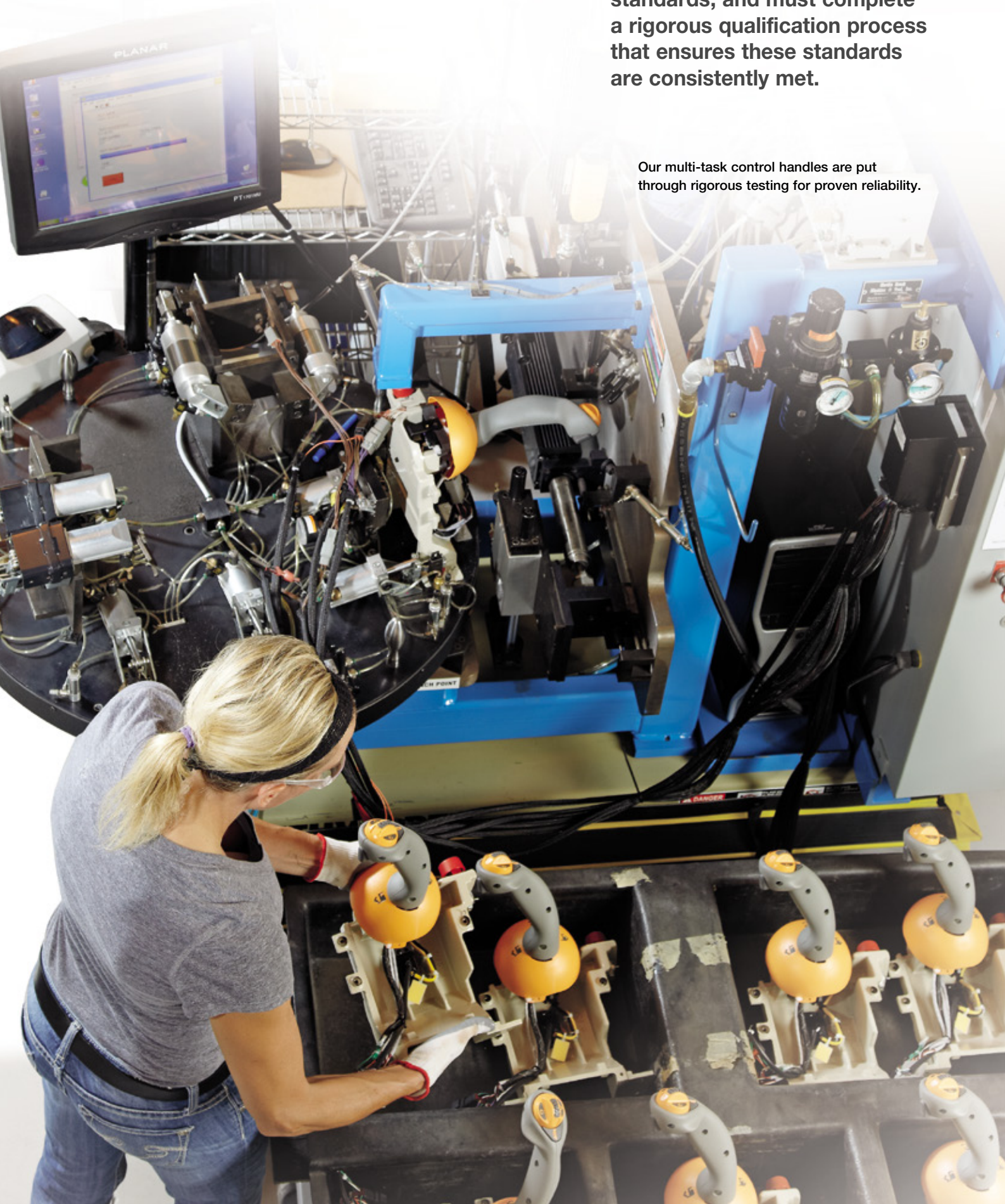



The more frequently you replace a part, the more expensive its contribution to your total forklift ownership cost. In addition to the part cost itself, the cost of down time associated with more frequent replacements can make a significant difference in your bottom line. Crown Integrity Parts can help you better manage your overall costs with reliable, predictable performance and lower rate of consumption.

# RIGOROUS QUALIFICATION

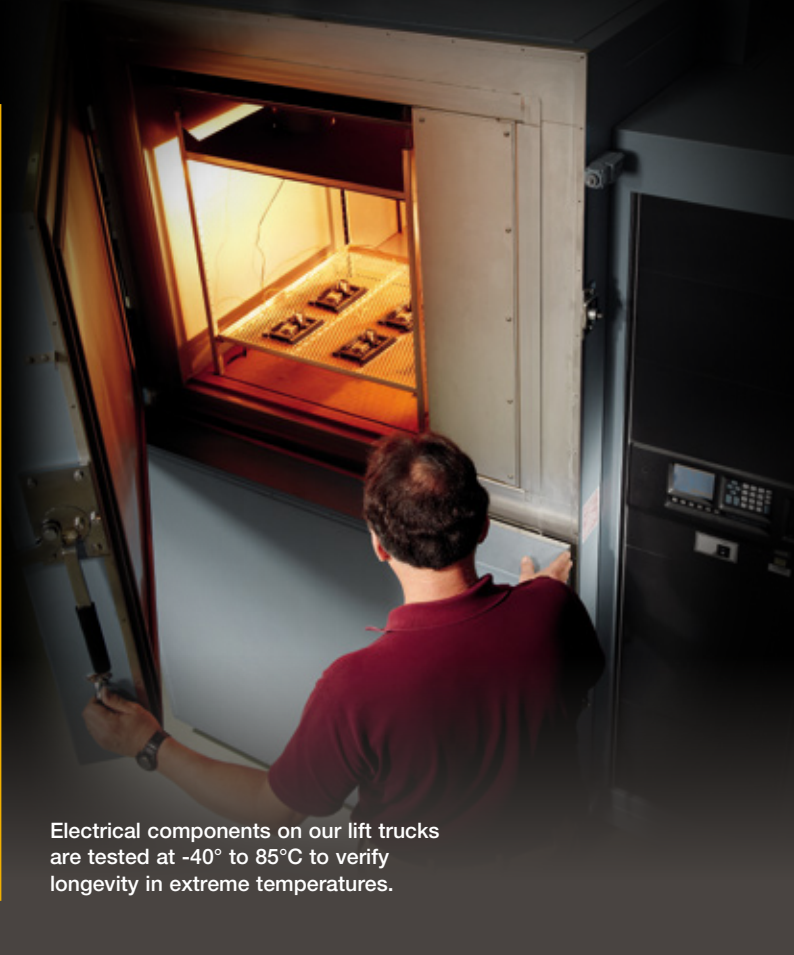
Every Crown Integrity Part, whether produced by Crown or another supplier, is specified to meet certain design, manufacturing and material standards, and must complete a rigorous qualification process that ensures these standards are consistently met.

Our multi-task control handles are put through rigorous testing for proven reliability.





Rigorous HALT testing simulates the entire life cycle of a tested part. This helps ensure its design, materials and manufacturing meet required performance and longevity standards.



Electrical components on our lift trucks are tested at  $-40^{\circ}$  to  $85^{\circ}\text{C}$  to verify longevity in extreme temperatures.



## Crown Integrity Parts are built to meet or exceed expectations.

The Integrity Parts qualification effort is supported with documented procedures, test criteria, and equipment and facilities designed to perform thermal, humidity, shock and vibration, and HALT testing. Test engineers are also fully trained in the qualification process.

Crown has tested and qualified thousands of lift truck parts to verify functionality, durability, safety and compliance with many worldwide standards.

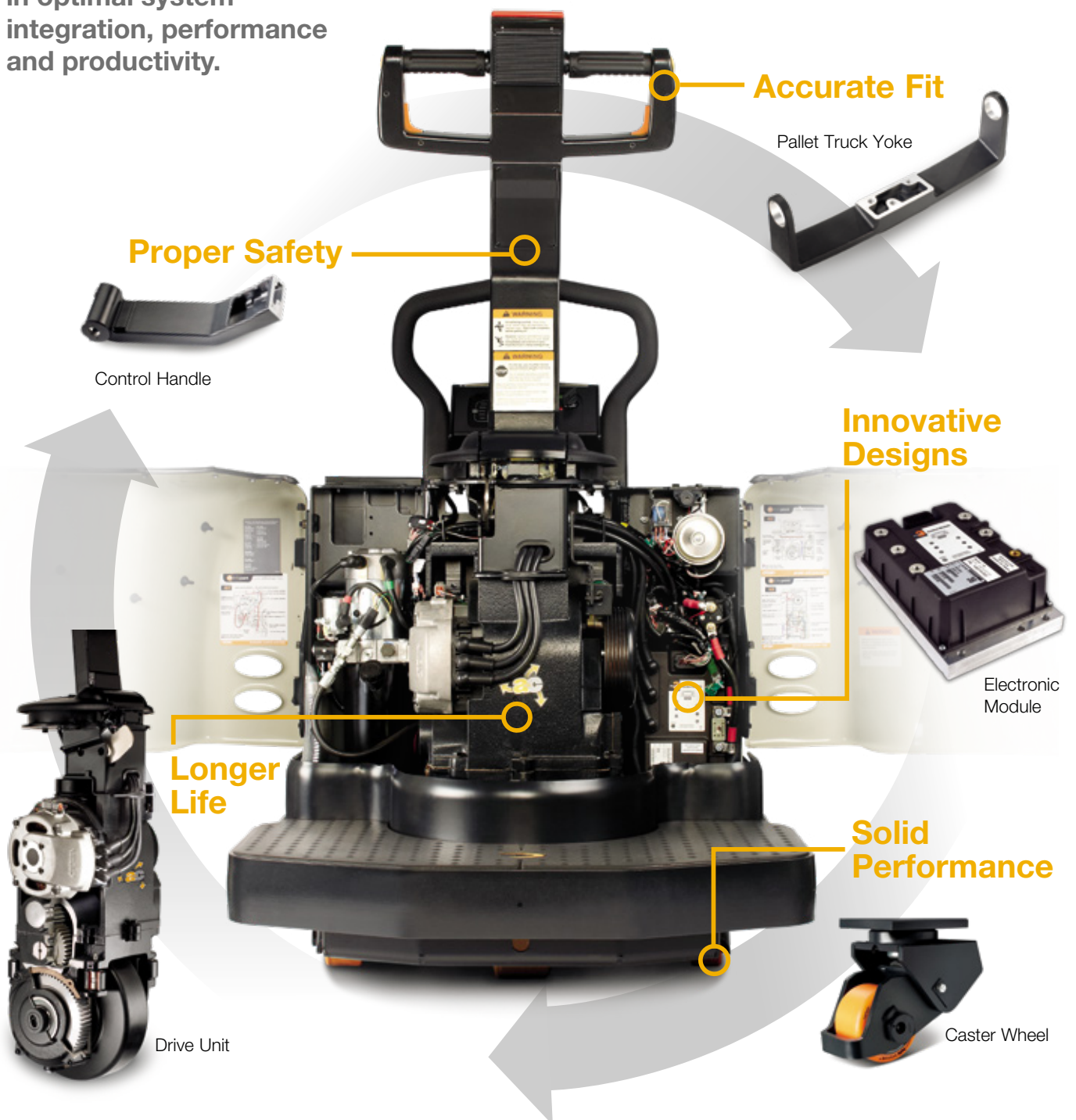
Structural tests verify the frame's durability.

# TOTAL SYSTEM OF PERFORMANCE

Crown selects materials and designs and manufactures parts based on the way each component interacts with other parts of the forklift. This results in optimal system integration, performance and productivity.

Crown Integrity Parts are just one example of Crown innovation in action as we continuously apply new information and advanced design ideas to improve our products. Through qualification and testing, we learn how each part

contributes to the performance of the lift truck as a whole. We use this data to improve designs and materials that result in outstanding system performance and long-term value for our customers.



## From design to service, integrity is built into Crown's business philosophy

Innovative design, quality materials and rigorous testing ensure Crown parts deliver productivity. The value lies in improved uptime, longer truck life, fewer replacement parts and lower service costs for you.

Our experience, advanced technology, extensive dealer network, replacement parts inventory and dedication to customer service round out our commitment to helping you reduce the total cost of forklift ownership and keep your fleet moving. Discover the difference Crown can make for your business and your bottom line.



## Integrity is more than a brand name

- ✓ Well-managed parts inventory
- ✓ Local parts availability
- ✓ Quick delivery
- ✓ Online parts ordering
- ✓ Exceptional customer service



Contact your Crown dealer to connect with a Crown Service Specialist who can tailor a service and parts program for your business.



**Crown Equipment Corporation**  
New Bremen, Ohio 45869 USA  
**Tel** 419-629-2311  
**Fax** 419-629-3796  
crown.com

Because Crown is continually improving its products, specifications are subject to change without notice.

Notice: Not all products and product features are available in all countries in which this literature is published.

Crown, the Crown logo, the color beige, the Momentum symbol, Integrity Parts System, Crown Integrity Parts and ecologic are trademarks of Crown Equipment Corporation in the United States and other countries.

Copyright 2004-2022 Crown Equipment Corporation  
PF14368-EM Rev. 02-22  
Printed in U.S.A.