

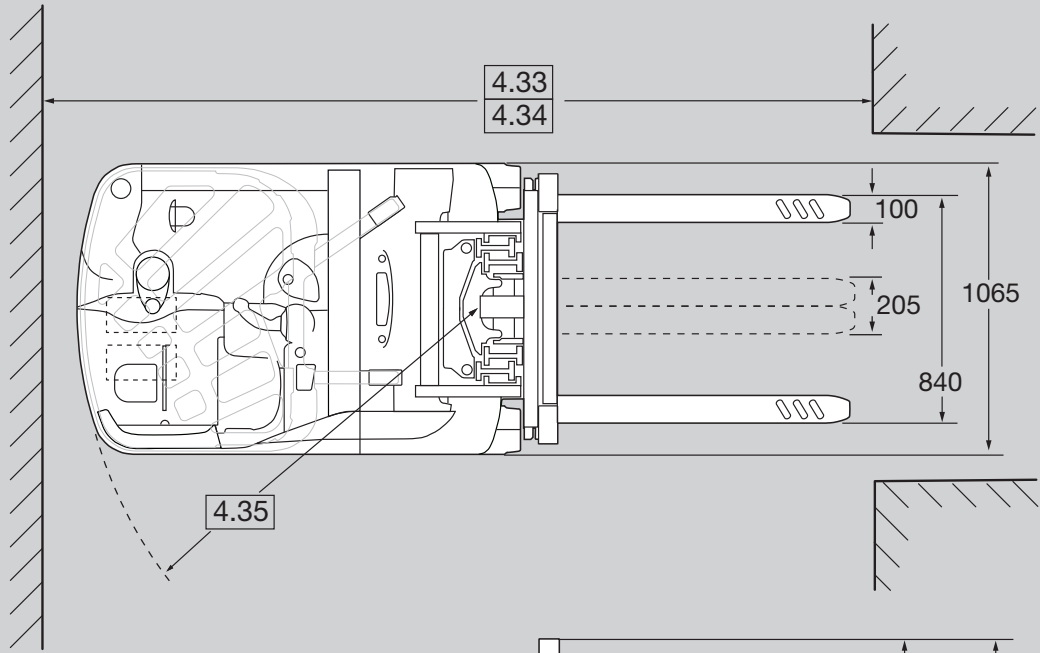
CROWN

RC 5700 SERIES

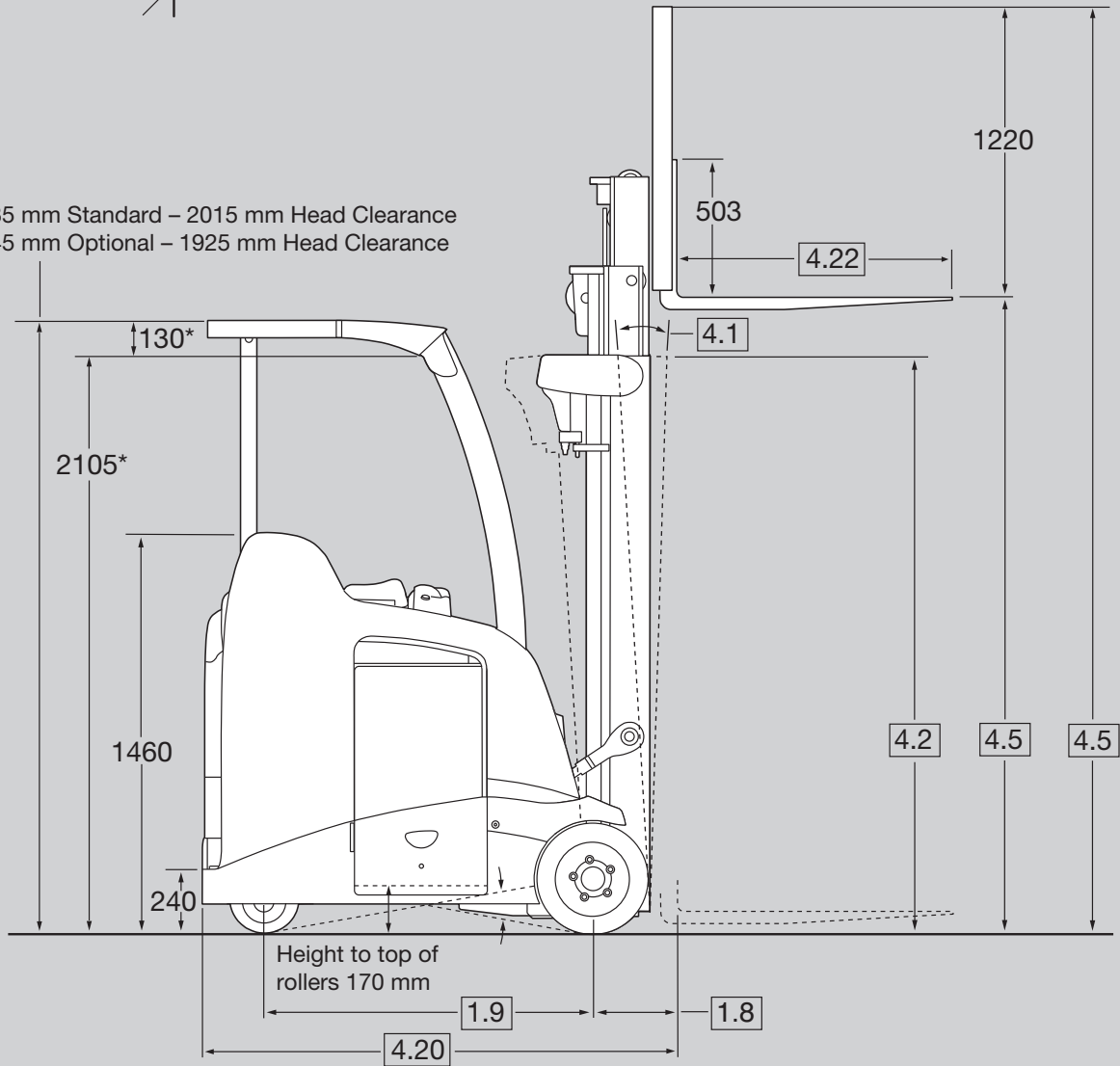
Specifications

Stand-up Counterbalance Truck





2235 mm Standard – 2015 mm Head Clearance
2145 mm Optional – 1925 mm Head Clearance



* Clearance with Drive-In application. Adjust for different overhead guard heights.

General Information	1.1	Manufacturer	Crown Equipment Corporation						
	1.2	Model			RC 5715	RC 5725	RC 5735	RC 5745	
	1.3	Power			electric				
	1.4	Operator Type			Stand-up Rider Counterbalanced				
	1.5	Load Capacity *	Q	t	1.5	1.5	1.5	1.8	
	1.6	Load Centre	fork face to load CG	c	mm	500			
	1.8	Load Distance	centre of wheel to fork face	x	mm	287		292	
	1.9	Wheel Base		y	mm	1085	1143	1198	1260
	Weights	2.1	Weight	less battery		kg	2880	2900	2690
2.2		Axle Load with max. Battery	without load front		kg	1810	1890	2050	2200
			without load rear		kg	1970	2035	1840	2120
Tyres	3.1	Tyre Type	pressed-on solid			cushion			
	3.2	Tyres	load side		mm	406 x 178 x 267			
			power unit side		mm	254 x 127 x 165			
	3.5	Wheels	number (x=driven) front/rear			2x /2			
	3.6	Track Width	load side	b10	mm	890			
			power unit side (steer)	b11	mm	170			
Dimensions	4.2	Mast	collapsed height	h1	mm	see table 1			
	4.3	Free Lift	w. / w.o. load backrest	h2	mm	see table 1			
	4.4	Lift Height		h3	mm	see table 1			
	4.5	Extended Height	w. / w.o. load backrest	h4	mm	see table 1			
	4.7	Overhead Guard Height	standard / option	h6	mm	2235 / 2145			
	4.8	Operator Stand Height		h7	mm	240			
	4.20	Headlength **		l2	mm	1598	1656	1715	1781
	4.21	Overall Width			mm	1065			
	4.22	Fork Dimension	standard	thxwxl	mm	38 x 102 x 915		45x102x915	
			optional lengths		mm	760, 990, 1065, 1145, 1220, 1370, 1525			
	4.23	Fork Carriage	ISO, FEM, ITA			2A, Class II			
	4.24	Width Across Forks	range		mm	205 – 840			
	4.31	Ground Clearance	lowest point, below mast	m1	mm	76			
			centre wheelbase	m2	mm	107			
	4.33	Working Aisle Width	pallets 1000 x 1200	Ast3	mm	see table 2			
pallets 800 x 1200			Ast3	mm	see table 2				
4.34									
4.35	Turning Radius		Wa	mm	1313	1372	1427	1488	
Performance	5.1	Travel Speed std.	w. / w.o. load		km/h	11.6 / 11.6			
		with Productivity Package	w. / w.o. load		km/h	11.6 / 12.6			
	5.2	Lift Speed	w. / w.o. load		m/s	0.33 / 0.56		0.28 / 0.56	
	5.3	Lowering Speed	w. / w.o. load		m/s	0.46 / 0.46			
	5.10	Brake	service / parking			Foot-Motor / Auto-Electric			
Motors	6.1	Traction Motor	60 min. rating		kW	2 x 4.8			
	6.2	Lift Motor	15% on time		kW	7.9			
	6.3	Battery, Type Lead Acid	compartment			B	C	D	E
	6.4		nominal capacity K5		V/Ah	36/775	36/930	36/1085	36/1240
	6.5		min. weight		kg	780	905	1035	1180
			max. weight		kg	895	1025	1200	1390
			compt. size – max. length		mm	350	410	465	525
			compt. size – max. width		mm	979			
			compt. size – max. height		mm	787			
	6.6	Battery Floor Height	with rollers		mm	170			
10.1	Operating Pressure	for attachments		bar(psi)	up to 175 (2500)				
10.2	Oil Volume for Attachments	low / high		l/min	up to 15 / 30				

* Optional masts, attachments, longer load dimensions and higher lifting heights may result in derating of the capacity. Contact Crown sales department.

** Add 108 mm for quad masts, add 36 mm for Crown integrated sideshift, add 59 mm for hook on sideshift.

Table 1 Lift Height

Truck Type					RC 5700 1.5 & 1.8					RC 5700 1.8				
Mast Type					TT					Quad				
4.1	Mast Tilt	forward / back		°	5 / 3	5 / 5	5 / 5	5 / 5	5 / 5	5 / 3	5 / 3	5 / 3	5 / 3	5 / 3
4.2	Mast	collapsed height	h1	mm	1805	2110	2265	2415	2570	2110	2185	2265	2340	2415
4.3	Free Lift	with load backrest*	h2	mm	510	815	970	1120	1275	840	920	995	1070	1145
		without load backrest	h2	mm	1225	1530	1685	1835	1990	1555	1635	1710	1785	1860
4.4	Lift Height		h3	mm	3910	4825	5280	5740	6195	6095	6245	6550	6705	7010
4.5	Mast extended height	with load backrest*	h4	mm	5135	6050	6505	6960	7420	7320	7470	7775	7925	8230
		without load backrest	h4	mm	4420	5335	5790	6245	6705	6605	6755	7060	7210	7515

* With 1220 mm load backrest

Table 2 Working Aisle Width

TT-Mast					RC 5715-1.5	RC 5725-1.5	RC 5735-1.5	RC 5745-1.8
1.9	Wheel Base		y	mm	1085	1145	1200	1260
4.35	Turning Radius		Wa	mm	1315	1375	1430	1490
4.34	Aisle Width, AST3	Pallet 800 x 1200 mm	lxw	mm	2755	2815	2870	2935
		Pallet 1200 x 800 mm	lxw	mm	3050	3110	3165	3230
4.33		Pallet 1000 x 1200 mm	lxw	mm	2930	2990	3045	3110
		Pallet 1200 x 1000 mm	lxw	mm	3080	3140	3195	3260

Standard Equipment

1. Crown's Access 1 2 3® Comprehensive System Control
2. e-GEN® Braking System with automatic parking brake
3. Intrinsic Stability System™
 - Travel speed reduction and appropriate brake control when forks are above free lift
 - Forward tilt interlock above staging
 - Controlled tilt speeds
 - Counterweight exceeds required standards
 - Cornering speed control
 - Ramp hold
 - Ramp speed control
4. FlexRide™ Suspension
5. Operator compartment
 - Crown flexible side stance
 - Padded back support with integral side restraint
 - Premium rubber floor mat
 - Padded arm rest
 - Operator console with desk top work surface and storage
 - Entry bar
 - Posture relief step
6. Multi-task control handle
7. Tilt position assist

8. Crown display
 - Battery discharge indicator with lift interrupt and re-key feature
 - Hour meters / travel distance / stop watch
 - Pin code access capable
 - Event code display with five (5) key navigation
 - Access 1 2 3 diagnostics
 - P1, P2, P3 Performance tuning
9. AC hydraulics and ondemand steering
10. 36-volt system
11. 320 SBE grey battery connector
12. InfoPoint™ System
13. Colour-coded wiring
14. Battery rollers
15. Dual Ø 254 mm cushion steer tyres
16. Large Ø 406 mm cushion drive tyres
17. Crown-manufactured drive and lift motors
18. High visibility power unit
19. Radial design overhead guard with third post
20. High visibility mast with in-line hose routing
21. Hydrostatic power steering
22. 5° forward tilt
23. 1220 mm high load backrest
24. Forward steering

Optional Equipment

1. Load backrest heights
2. Tilt options
3. Fork lengths
4. Sideshifter
5. Hydraulic valves for attachments
6. Quick disconnect hydraulic connectors
7. Freezer and corrosion conditioning
8. Productivity package
9. Audible travel alarms
10. Reverse steering
11. Suspended floorboard
12. Adjustable armrest
13. Knee pad
14. Drive-in rack overhead guard
15. Overhead guard heights
16. Visual warning devices
 - Floor spot lights
 - Floor line lights - side lights only
 - Floor line lights - side and rear lights
 - Flashing lights
17. Work lights
18. Dome lights
19. Positive/Negative accessory cable
20. Non-marking smooth or lug rubber tyres
21. V-Force® Lithion-Ion ready
22. InfoLink® ready
23. Work Assist™ Accessories
 - Clip pad and hook
 - Clamp and mounting plate
 - Storage Pocket
 - Organisation kits

Operator Compartment

Soft, rounded surfaces make the compartment interior more comfortable. Streamlined exterior aids entry/exit for the operator together with a low floor height (240 mm). A patented FlexRide suspended floor provides a comfortable ride for a wide range of operators.

A footrest provides postural relief during stationary tasks. Crown's flexible side stance allows the operator to change positions to increase comfort and productivity.

An entry bar with sensors automatically slows travel and sounds an audible alarm when activated, encouraging safe foot positioning inside the truck.

The Multi-Task Control Handle with intuitive operation reduces the operator learning curve. Blending of hydraulic control functions and traction can improve productivity. Control handle activation forces are reduced. Soft grip steer tiller with hydrostatic steering reduces operator fatigue.

Operator visibility is improved with:

- Low-profile sculpted power unit
- High visibility mast
- Angled overhead guard post and placement
- Radial design overhead guard
- Flexible side stance

Crown Drive System

Crown has applied the latest generation AC drive system, enhanced with Access 1 2 3® technology. The demand for high efficiency systems that closely match customer torque requirements is met with this generation control system.

Crown-manufactured, independently controlled, AC drive motors are specifically designed to optimise system integration between the traction and braking controls.

Crown's Access 1 2 3® technology provides optimum performance and control by offering a communication interface for operators and technicians, intelligent coordination of lift truck system and simplified service with advanced diagnostics.

The Crown display is used for easy troubleshooting, access service history and set performance features. A distribution panel is conveniently located with all test points, control fuses and central wiring for easy troubleshooting.

Three modes of performance can be selected to accommodate operator experience or application requirements.

e-GEN® Braking System

Variable regenerative motor braking is optimised and virtually eliminates brake maintenance. The appropriate amount of stopping force is applied to match operator brake input and the current operating conditions of the truck.

The closed loop Access 1 2 3® traction control will keep the truck static until a travel input is requested, even when operating on a grade.

Automatic electric parking brakes activate when the operator releases the brake pedal, a travel input has not been requested or battery power has been disconnected.

Steering

Load-sense hydrostatic steering is an on-demand system which reduces energy consumption. Smooth, quiet steering control with minimal operator effort required at the steer tiller. Steer tyres rotate 182° for maximum manoeuvrability. Crown's hydrostatic steering system is simplified with significantly fewer parts, thus reducing maintenance requirements.

Hydraulics

The hydraulic system provides continuous filtration.

A pressurized steel hydraulic tank reduces oil misting and contamination. Hydraulic attachments can be added easily in the field.

Hydraulic manifold is mounted on the mast reducing the number of hoses and fittings.

Ram displacement type lift cylinders and two double acting tilt cylinders are Crown-manufactured. All rams and piston rods are hard chrome plated to reduce pitting and extend cylinder packing life. O-ring face seal fittings are used to eliminate leaks.

Mast Assembly

Crown-manufactured mast assembly utilises a "flush-face" interlocked I-beam design to improve visibility and reduce truck length. Roller bearing studs are welded on both sides of the rails for maximum strength and roller bearings are canted to run in the thick cross section of the rail. Tie bars wrap around the rails for added strength and to resist off-centre load forces.

"In-line" hose routing opens up visibility. Cylinders are placed to the sides to create a high visibility design. The mast has four points of attachment to the truck for good load force distribution. Two mounting points are at the frame, where tilt cylinders attach. Tilt cylinders use spherical bushings to resist off centre load distortions. Two large diameter studs secure the mast to the drive units.

Carriage

An ISO Class II carriage is standard. An optional hook-on type sideshifter or other attachments are easily added. Optional fork lengths are available.

Drive Units

Two Crown-manufactured independent double reduction planetary gear drives offer 27 to 1 gear reduction. The first and second reduction use helical gears for low noise and efficiency. The drive unit gears are splash lubricated in an oil bath.

Safety Regulations

Conforms to European safety standards. Dimensions and performance data given may vary due to manufacturing tolerances. Performance is based on an average size vehicle and is affected by weight, condition of truck, how it is equipped and the conditions of the operating area. Crown products and specifications are subject to change without notice.