

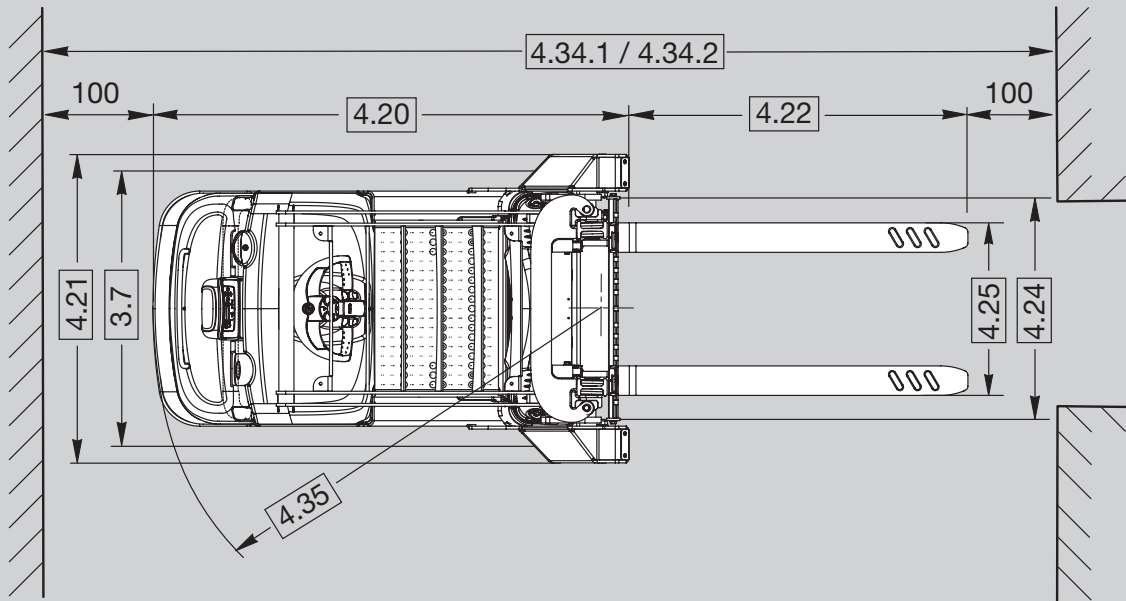
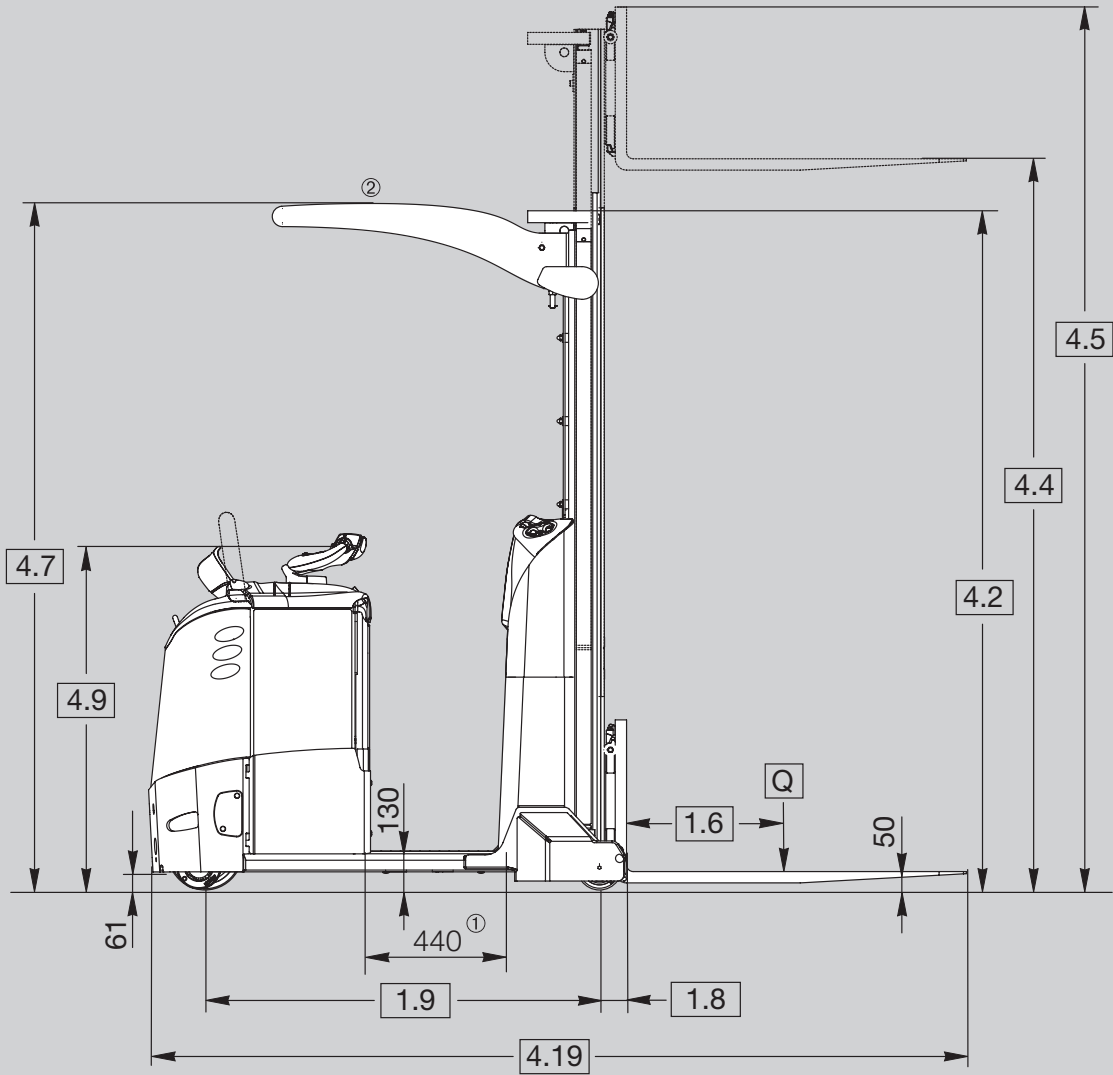
CROWN

MPC 3000 SERIES

Specifications

Order Picker with Mast





① With optional extended operator platform = 515 mm
 ② OHG on TL and TF masts only

Distinguishing Mark	1.1	Manufacturer	Crown Equipment Corporation				
	1.2	Model	MPC 3040 - 1.2				
	1.3	Power Source	electric				
	1.4	Operator Type	stand-on				
	1.5	Rated Capacity	Q	kg	1200		
	1.6	Load Centre	c	mm	600		
	1.8	Load Distance	x	mm	93		
	1.9	Wheelbase *	y	mm	1327		
	Weight	2.1	Service Weight	less battery		kg	see table 1
2.2		Axle Load	with load front / rear		kg	see table 1	
2.3			without load front / rear		kg	see table 1	
Tyres/Wheels/ Chassis	3.1	Tyres	Vulkollan				
	3.2	Tyre Size	front		mm	Ø 250 x 75	
	3.3		rear		mm	Ø 150 x 100	
	3.5	Wheels	number front/rear (x = driven wheels)		mm	1x / 2	
	3.6	Tread	front		b10	mm	centric
	3.7		rear		b11	mm	936
	Dimensions	4.2	Mast Collapsed Height			h1	mm
4.3		Free-lift			h2	mm	see table 1
4.4		Lift Height			h3	mm	see table 1
4.5		Mast Extended Height			h4	mm	see table 1
4.7		Overhead Guard Height			h6	mm	see table 1
4.8		Seat relating to SIP/Stand Height			h7	mm	130
4.9		Height Control Handle in Driving Position			h14	mm	1160
4.15		Fork Height	lowered		h13	mm	50
4.19		Overall Length *			l1	mm	2746
4.20		Head Length *			l2	mm	1616
4.21		Overall Width			b1/b2	mm	1063
4.22		Fork Dimension	DIN ISO 2331		s x e x l	mm	40 x 100 x 1150
4.23		Fork Carriage	ISO 2328, class/type A, B		2A		
4.24		Fork Carriage Width			b3	mm	755
4.25		Fork Spread	min. – max.		b5	mm	213 – 745
4.31		Ground Clearance	with load, below mast		m1	mm	51
4.32			Centre Wheelbase		m2	mm	61
4.34.1	Aisle Width *	pallet 1000x1200 crossways		Ast	mm	2970	
4.34.2		pallet 800x1200 lengthways		Ast	mm	3075	
4.35	Turning Radius *			Wa	mm	1522	
Performance Data	5.1	Travel Speed	w./w.o. load, Power unit first			km/h	6.0 / 12.5
	5.2	Lift Speed	w./w.o. load			m/s	0.15 / 0.23
	5.3	Lowering Speed	w./w.o. load			m/s	0.34 / 0.37
	5.8	Max. Gradeability	w./w.o. load 5 min. rating			%	9 / 12
	5.10	Service Brake					electric
Electric Motor	6.1	Traction Motor	rating at S2 60 min.			kW	4.0
	6.2	Pump Motor	rating at S3 9 %			kW	3.0
	6.3	Max. Battery Box Size	DIN 43535		l x b x h	mm	330 x 790 x 784
	6.4	Battery Voltage	nominal capacity K5			V/Ah	24 / 620
	6.5	Battery Weight				kg	465 - 534
8.1	Drive Unit	drive				transistor	

Table 1 – Mast

1.2	Model	MPC 3040 - 1.2																	
		Mast Type		NT						TL				TF					
2.1	Weight **	less battery	kg	1376	1399	1411	1623				1649	1618				1643			
2.2	Axle Load **	w. load	front	kg	408	409	409	440				442	439				440		
		rear	kg	2671	2693	2705	2886				2910	2882				2906			
2.3	Axle Load **	w.o. load	front	kg	1037	1038	1038	1073				1099	1068				1069		
		rear	kg	829	851	863	1040				1040	1040				1064			
4.2	Mast	collapsed height	h1	mm	1500	1920	2260	2350				2600	2350				2600		
4.3	Free Lift	w.o. lbr	h2	mm	–	1400	1750	150				150	1835				2085		
		w. lbr	h2	mm	–	710	1050					1135				1385			
4.4	Lift Height		h3	mm	800	1430	1780	2700	2900	3300	3700	4200	2700	2900	3300	3700	3800	4150	4300
4.5	Mast ext. height	w.o. lbr	h4	mm	1500	1940	2290	3210	3410	3810	4210	4710	3130	3330	3730	4130	4325	4580	4825
		w. lbr	h4	mm	2240	2640	2990	3910	4110	4510	4910	5410	3920	4120	4520	4920	5020	5370	5520
4.7	OHG Height		h6	mm	–	–	–	2315				2565	2335				2585		

* With optional extended operator platform + 75 mm

** Value with optional extended operator platform

Electric System / Batteries

24-volt electrical system with nominal battery capacities up to 620 Ah. The battery can be removed vertically or horizontally with optional battery rollers for left/right removal.

Standard Equipment

1. Crown maintenance-free 3-phase (AC) traction motor. Maintenance-free 3-phase (AC) steering motor
2. e-Gen® Braking System offers regenerative and frictionless electric braking (mechanical braking applies only as parking brake)
3. Electronic steering with the centre-mounted X10® Handle for precise and effortless control
4. The self-centering X10® Control Handle places all truck functions at the operator's fingertips
5. Crown Access 1 2 3® Comprehensive System Control
6. Comfort backrest includes
 - soft moulded lean pad
 - 2 large storage bins
 - backrest grab handles
7. Crown's Information Display
 - 1 line LC-Display with 8 characters
 - Battery discharge indicator
 - Keyless start up with PIN code
 - Start up and run time diagnostics
 - 3 selectable traction performance profiles
 - Hour meters including traction motor and run time
 - Access 1 2 3® onboard diagnostic with real time troubleshooting capabilities
8. CAN-Bus technology
9. Ramp hold
10. Low step height of 130 mm with a 440 mm wide walk-through area
11. Suspended floorboard with a non-slip anti-fatigue floor mat with integrated presence sensors
12. Electric power disconnect plug
13. Multiple storage compartments
 - Large front storage tray
 - Large storage compartments in the backrest
 - 2 large storage bins in the backrest
 - Central storage tray
 - 3 storage pockets in battery area
14. Two cords on each side of desktop surface to fix paperworks
15. Vulkollan drive tyre and load wheels
16. Battery connector DIN 160 A
17. Heavy-duty power unit
 - 10 mm thick steel skirt
 - Easily removable reinforced steel covers
 - Top battery access
18. Proportional lifting/lowering provided by a low-noise hydraulic system
19. Polycarbonate mast guard
20. Heavy-duty overhead guard (lift height ≥ 1800 mm)
21. Soft contoured backrest

Optional Equipment

1. Load backrest
2. Backrest grab bar
3. Metal mast grill
4. Adjustable fold-down lean seat
5. Lift/lower buttons in backrest
6. Battery roll out for left / right or both sides
7. SBE 160 red battery connector
8. 12/24 V power supply for electronic tools
9. Cold storage conditioning
10. Front Work Assist™ accessory tube with or without cable management
11. Work Assist™ Accessories
 - Load tray
 - Foil roll holders
 - Storage pockets
 - Beverage holder
 - Trash bag holder
 - Scan gun holder
 - Small, medium and large clip boards
 - Mounting brackets for WMS terminals
12. Audible travel alarm
13. Flashing beacon
14. Warning light
15. Rubber bumper
16. Key switch
17. Key pad
18. Extended platform length with 515 mm walk-through area
19. Supertrac drive tyre Ø 250 x 75 mm
20. InfoLink® ready
21. Lithium-Ion Battery ready
22. Polycarbonate protection for overhead guard
23. Mirror
24. Universal magnetic storage tray
25. Soft writing mat
26. Folding-step (NT Mast)
27. QuickPick® Remote ready
28. Cushioned soft kneepad
29. Paint options
30. USB Charging Port

Electrical

24 Volt electrical system managed by Crown's Access 1 2 3® Comprehensive System Control. Virtually maintenance-free AC Crown traction motor provides strong acceleration and control at any speed. Sensors monitor functional parameters including steering, lift height, speed and operator position and adjusts operational settings automatically to suit conditions.

Power Unit

The rugged power unit is designed for tough real-world applications. A 10 mm thick skirt protects the drive unit while a reinforced steel cover protects all electronics. The uncluttered layout of components provides quick and easy access for servicing.

Operator Area and Controls

The comfortable suspension features a fully suspended floorboard with a soft mat that reduces operator fatigue. Wide walk-through compartment with rounded surfaces provides a convenient shortcut even while carrying boxes. Contoured lean pad helps the operator stay centred in the truck while providing a soft contact surface to lean against. Multiple storage pockets provide locations for tools and personal effects.

All truck functions are controlled by the award-winning X10® control handle that allows simultaneous operation of all functions with one hand. Electronic steering is standard, providing precise, predictable control. A large information display provides battery discharge level, operational status and service messages to the operator.

Hydraulic System

Heavy-duty hydraulic motor with integral pump and reservoir for maximum efficiency and durability delivers fast lift and lower speeds at minimum noise level. The hydraulic control module (HCM) provides quick, smooth initiation and stopping of lift function. Relief valve tuned to capacity protects all components in the hydraulic system.

Mast

High visibility mast design features I-beams and canted rollers. Lift cylinders are positioned in outer I-beam profile for best visibility through the mast and clear view onto the forks tips during load handling. Mast cushioning between staging ensures smooth operation. Heavy-duty mast and chain rollers are sealed and lubricated for life. Cylinder rods are hard-chrome plated with polyurethane seals. Mast design allows easy access to carriage rollers.

Access 1 2 3® Comprehensive System Control

Crown's Access 1 2 3® technology provides optimum performance and control by offering a communications interface for the operator and service engineer, intelligent coordination of truck systems and simplified service with advanced diagnostics. The display includes a full featured on-board service tool, so service engineers can actively view inputs and outputs during truck operation. No laptop or service terminal is required. Performance tuning can be accessed at the display to customise truck performance for specific applications or operator requirements.

e-GEN® Braking System

The power of the high-torque AC Crown traction motor is used to stop the truck and keep it static until a travel input is requested, even when operating on a gradient. This system eliminates adjustments and wear points for a lifetime of maintenance free use. An automatic parking brake activates if the truck is stopped and the operator leaves the platform or power is disconnected.

Work Assist™ Accessories

A comprehensive range of Work Assist™ accessories is available to support every kind of picking and administrative task. These rugged tools can be easily combined and positioned in the location best suited to the application and the user. Customer accessories can also be added using the universal clamp and adapter plate. Two front Work Assist™ accessory tubes are available for mounting the accessories, one with and one without cable management.

Safety Regulations

Conforms to European safety standards. Dimensions and performance data given may vary due to manufacturing tolerances. Performance is based on an average size vehicle and is affected by weight, condition of truck, how it is equipped and the conditions of the operating area. Crown products and specifications are subject to change without notice.