

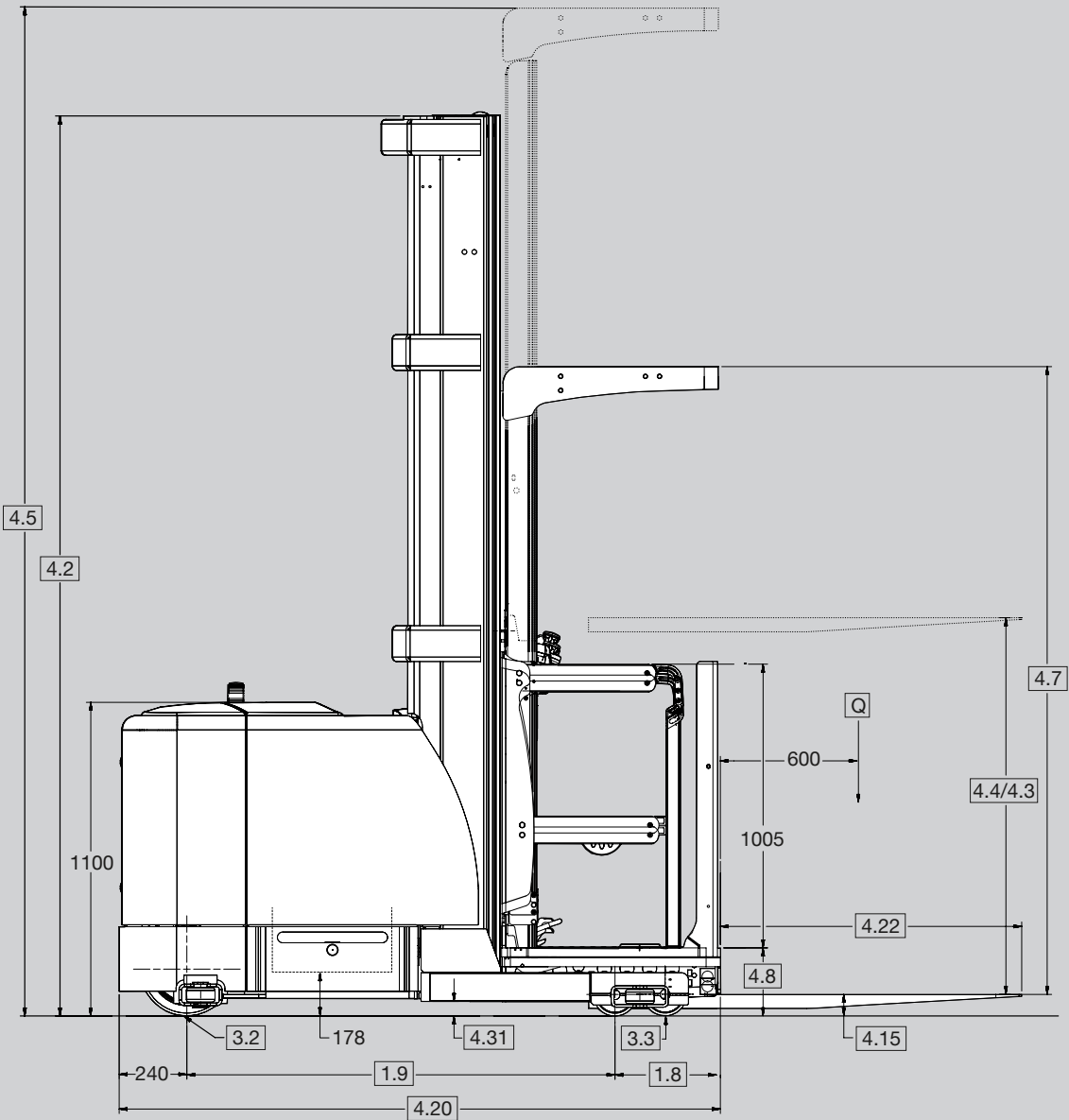
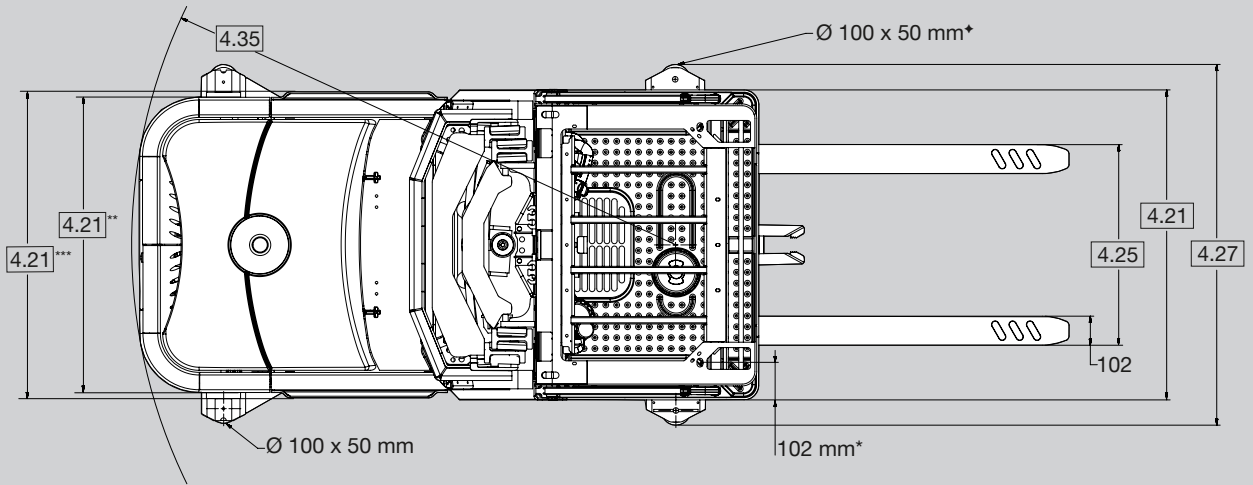
CROWN

SP 1500 SERIES

Specifications

High Level Order Picker





* 140 mm when [4.4] is greater than 6095 up to 8840 mm
203 mm when [4.4] is greater than 8840 mm

** Overall width front

*** Overall width rear

† Ø 65x50 mm, tip mounted if WAGR minus OW ($[4.27] - [4.21]$) = 20 mm to 139 mm
Ø 65x50 mm, side mounted if WAGR minus OW ($[4.27] - [4.21]$) = 140 mm to 209 mm
Ø 100x50 mm, side mounted if WAGR minus OW ($[4.27] - [4.21]$) = 210 mm to 590 mm
WAGR = Width Across Guide Rollers, OW = Overall Width (rear)

Distinguishing Mark	1.1	Manufacturer	Crown Equipment Corporation						
	1.2	Model	SP 1510-1.25						
	1.3	Power Source	Electric		Volt	24 / 48			
	1.4	Operator Type	Order Picker						
	1.5	Rated Capacity *		Q	t	1.25			
	1.6	Load Centre		c	mm	600			
	1.8	Load Distance		x	mm	336			
		Battery Compartment				B	C	D	E
	1.9	Wheelbase	TL	y	mm	1320	1380	1420	1490
	TT		y	mm	1305	1360	1405	1470	
Weight	2.1	Service Weight **	Less battery		kg	2900	2830	2840	2860
	2.2	Axle Load **	With load, front / rear		kg	1255 / 3695	1359 / 3741	1453 / 3785	1560 / 3841
	2.3	Axle Load **	Without load, front / rear		kg	2066 / 1634	2138 / 1713	2211 / 1779	2284 / 1867
Tyres/Wheels/ Chassis	3.1	Tyres	Polyurethane / Vulkollan						
	3.2	Tyre Size	Front		mm	Ø 152 x 70 ***			
	3.3	Tyre Size	Rear		mm	Ø 330 x 140			
	3.5	Wheels	Number front/rear (x=driven wheels)			4/1x			
Dimensions	4.2	Mast Collapsed Height		h1	mm	see table 1, 2 and 3			
	4.3	Free-lift		h2	mm	see table 1, 2 and 3			
	4.4	Lift Height		h3	mm	see table 1, 2 and 3			
	4.5	Mast Extended Height		h4	mm	see table 1, 2 and 3			
	4.7	Overhead Guard Height		h6	mm	see table 1, 2 and 3			
	4.8	Seat Height relating to SIP/Stand Height Lowered		h7	mm	240			
	4.14	Stand Height	Elevated	h12	mm	see table 1, 2 and 3			
	4.15	Fork Height	Lowered	h13	mm	75.5			
	4.20	Head Length	TL	l2	mm	1895	1955	2000	2065
			TT	l2	mm	1915	1975	2015	2085
	4.21	Overall Width	Front/rear	b1/b2	mm	see table 1, 2 and 3			
			Operator platform	b9	mm	see table 1, 2 and 3			
	4.22	Fork Dimensions DIN ISO 2331	Standard	sxexl	mm	1145 x 102 x 51			
			Optional Length	l	mm	760/915/990/1065/1220/1370/1525/1830/2135			
	4.25	Fork Spread	Min. - max.	b5	mm	610 - 762			
4.27	Width across Side Roller		b6	mm	see table 1, 2 and 3				
4.31	Ground Clearance	With load below mast	m1	mm	50				
4.35	Turning Radius	TL	Wa	mm	1780	1835	1875	1945	
		TT	Wa	mm	1760	1815	1855	1925	
Performance Data	5.1	Travel Speed	Power unit first, With load / without load		km/h	12 / 12			
	5.2	Lift Speed	With load / without load	24V	m/s	0.22 / 0.36			
			With load / without load	48V std.	m/s	0.50 / 0.56			
			With load / without load	48V opt.	m/s	0.50 / 0.71			
	5.3	Lowering Speed	With load / without load	24V	m/s	0.41 / 0.41			
			With load / without load	48V	m/s	0.41 / 0.41			
5.10	Service Brake	Service			regenerative				
		Park			electro-magnetic				
Electric Motor	6.1	Traction Motor	Rating at S2 60 min.	24V	kW	3.9			
			Rating at S2 60 min.	48V	kW	4.8			
	6.2	Pump Motor	Rating at S3 15%	24V	kW	15.0			
			Rating at S3 15%	48V	kW	15.0			
	6.3	Max. Battery Box Size	DIN43531	lxwxh	mm	984x371x787	984x429x787	984x470x787	984x536x787
	6.4	Battery Voltage	Voltage		V	24 / 48			
Max. ampere				Ah	1050 / 735				
6.5	Battery Weight	Min.	24V	kg	690	910	1035	1180	
			48V	kg	775	910	1035	1180	
8.1	Drive Unit				AC traction				

* Capacity may be subject to derating if longer load centre (fork length) or wider platform width is required

** Values shown with TT mast 6095 mm lift height, 2720 mm collapsed height, 1065 mm overall width and platform width

*** Ø 152 x 108 mm if max lift height [4.4] is 7010 mm or greater

Table 1 Standard Straddle

					SP 1510								
					TL					TT			
4.2	Mast Collapsed Height		h1	mm	2265*	2415	2720	3025	3330	2265*	2415	2720	
4.3	Free-lift		h2	mm	75	150					75	180	330
4.4	Lift Height		h3	mm	3425	3730	4340	4900	5410	4950	5330	6095	
4.5	Mast Extended Height		h4	mm	5690	5995	6605	7165	7675	7215	7595	8360	
4.7	Overhead Guard Height		h6		2225								
4.14	Operator Stand Height	Raised	h12	mm	3595	3900	4510	5070	5580	5120	5500	6265	
4.21	Overall Width	Front / rear	b2	mm	1015 / 1065								
		Operator platform		mm	1065								
4.27	Width across Side Roller	In 6.5 mm increments	b6	mm	1156 - 1658								

* Overall Collapsed Height 2315 mm

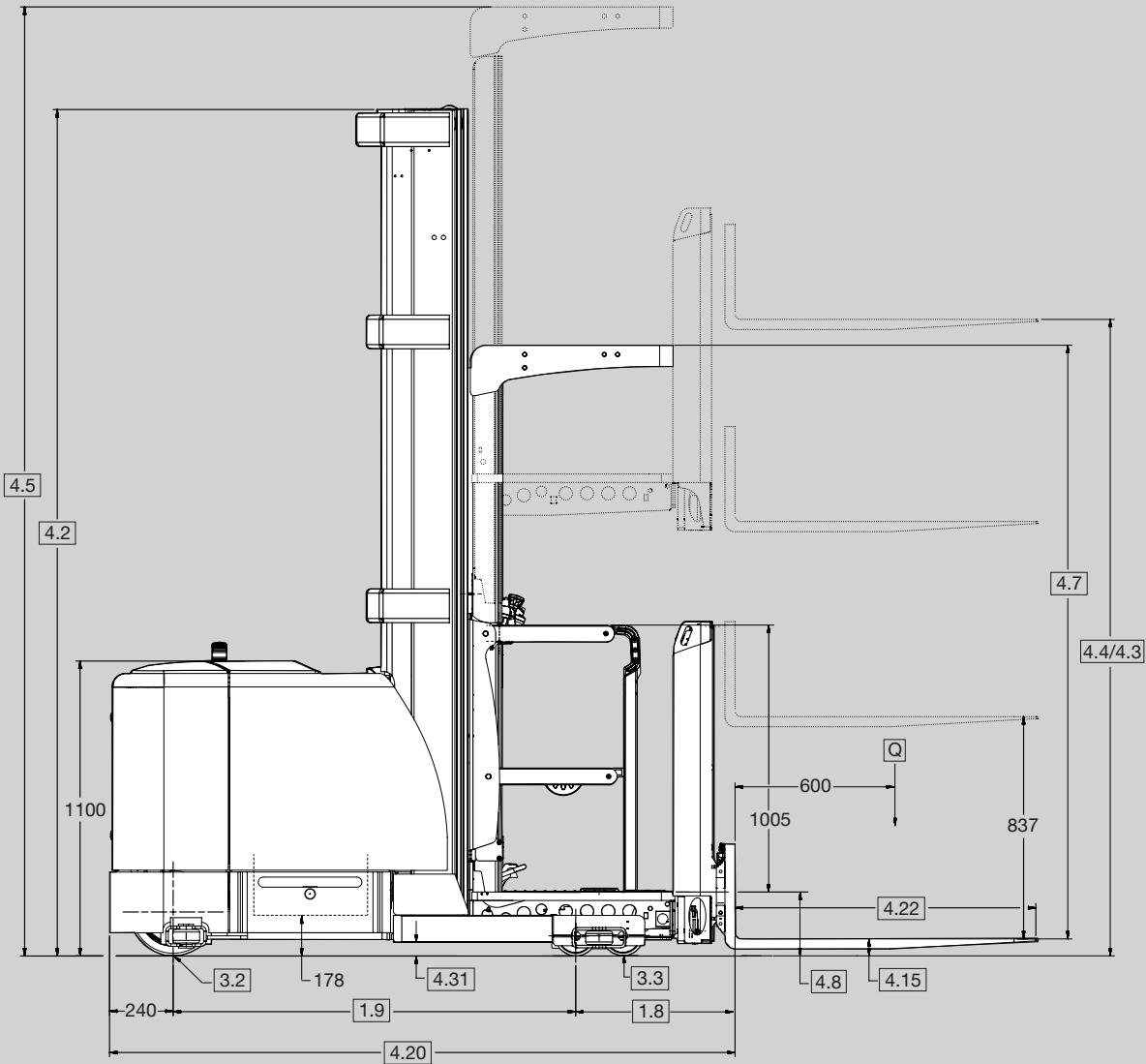
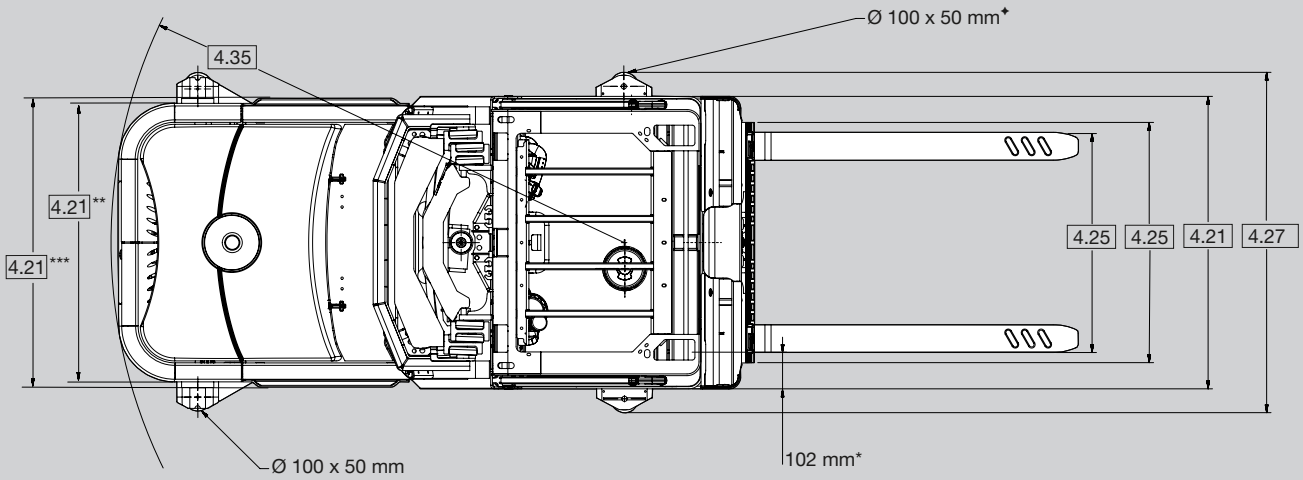
Table 2 Standard Straddle

					SP 1510							
					TT							
4.2	Mast Collapsed Height		h1	mm	3025	3175	3330	3635	3785	3935	4090	4345
4.3	Free-lift		h2	mm	635	780	940	1245	1395	1550	1700	1955
4.4	Lift Height		h3	mm	7010	7465	7920	8380	8835	9295	9750	10210
4.5	Mast Extended Height		h4	mm	9275	9730	10190	10645	11100	11560	12015	12475
4.7	Overhead Guard Height		h6		2225							
4.14	Operator Stand Height	Raised	h12	mm	7180	7635	8095	8550	9005	9465	9920	10380
4.21	Overall Width	Front / rear	b2	mm	1015 / 1220	1270 / 1375		1345 / 1375	1420 / 1525		1420 / 1625	
		Operator platform		mm	1220	1375			1525		1625	
4.27	Width across Side Roller	In 6.5 mm increments	b6	mm	1240 - 1810	1390 - 1962	1390 - 1962	1440 - 2013	1543 - 2115	1543 - 2115	1644 - 2216	1644 - 2216

Table 3 Narrow Straddle

					SP 1510							
					TT							
4.2	Mast Collapsed Height		h1	mm	3175	3330	3635	3785	3935			
4.3	Free-lift		h2	mm	780	940	1245	1395	1500			
4.4	Lift Height		h3	mm	7465	7920	8380	8835	9295			
4.5	Mast Extended Height		h4	mm	9730	10190	10645	11100	11560			
4.7	Overhead Guard Height		h6		2225							
4.14	Operator Stand Height	Raised	h12	mm	7635	8095	8550	9005	9465			
4.21	Overall Width	Front / rear	b2	mm	1015/1220		1015/1320	1270/1425	1345/1425			
		Operator platform		mm	1220				1375			
4.27	Width across Side Roller	In 6.5 mm increments	b6	mm	1240 - 1810	1156 - 1658	1240 - 1810	1440 - 2013	1440 - 2013			

Max Capacity: 1250 kg for Collapsed Heights up to 4090 mm
1100 kg for Collapsed Heights greater than 4090 mm and up to 4345 mm



* 140 mm when 4.4 is greater than 6910 up to 9195 mm
203 mm when 4.4 is greater than 9195 mm

** Overall width front

*** Overall width rear

✦ Ø 65x50 mm, tip mounted if WAGR minus OW ($4.27 - 4.21$) = 20 mm to 139 mm
Ø 65x50 mm, side mounted if WAGR minus OW ($4.27 - 4.21$) = 140 mm to 209 mm
Ø 100x50 mm, side mounted if WAGR minus OW ($4.27 - 4.21$) = 210 mm to 590 mm
WAGR = Width Across Guide Rollers, OW = Overall Width (rear)

Distinguishing Mark	1.1	Manufacturer	Crown Equipment Corporation						
	1.2	Model	SP 1520-1.0						
	1.3	Power Source	Electric		Volt	24 / 48			
	1.4	Operator Type	Order Picker						
	1.5	Rated Capacity *		Q	t	1.0			
	1.6	Load Centre		c	mm	600			
	1.8	Load Distance		x	mm	565			
		Battery Compartment				B	C	D	E
	1.9	Wheelbase	TL	y	mm	1320	1380	1420	1490
		TT	y	mm	1305	1360	1405	1470	
Weight	2.1	Service Weight **	Less battery		kg	3105	3040	3050	3070
	2.2	Axle Load **	With load, front / rear		kg	1129 / 3780	1238 / 3822	1335 / 3862	1447 / 3913
	2.3	Axle Load **	Without load, front / rear		kg	1941 / 1968	2018 / 2041	2093 / 2104	2173 / 2178
Tyres/Wheels/ Chassis	3.1	Tyres	Polyurethane / Vulkollan						
	3.2	Tyre Size	Front		mm	Ø 152 x 70 ***			
	3.3	Tyre Size	Rear		mm	Ø 330 x 140			
	3.5	Wheels	Number front/rear (x=driven wheels)			4/1x			
Dimensions	4.2	Mast Collapsed Height		h1	mm	see table 4 and 5			
	4.3	Free-lift		h2	mm	see table 4 and 5			
	4.4	Lift Height		h3	mm	see table 4 and 5			
	4.5	Mast Extended Height		h4	mm	see table 4 and 5			
	4.7	Overhead Guard Height		h6	mm	see table 4 and 5			
	4.8	Seat Height relating to SIP/Stand Height Lowered		h7	mm	240			
	4.14	Stand Height	Elevated	h12	mm	see table 4 and 5			
	4.15	Fork Height	Lowered	h13	mm	64			
	4.20	Head Length	TL	l2	mm	2125	2185	2225	2290
			TT	l2	mm	2145	2200	2245	2310
	4.21	Overall Width	Front/rear	b1/b2	mm	see table 4 and 5			
			Operator platform	b9	mm	see table 4 and 5			
	4.22	Fork Dimensions DIN ISO 2331	Standard	sxexl	mm	1145 x 102 x 38			
			Optional Length	l		760/915/990/1070/1220			
	4.24	Fork Carriage Width		b3		876			
	4.25	Fork Spread	Min. - max.	b5	mm	205 - 840			
4.27	Width across Side Roller		b6	mm	see table 4 and 5				
4.31	Ground Clearance	With load below mast	m1	mm	50				
4.35	Turning Radius	TL	Wa	mm	1780	1835	1875	1945	
		TT	Wa	mm	1760	1815	1855	1925	
Performance Data	5.1	Travel Speed	Power unit first, With load / without load		km/h	12 / 12			
			With load / without load	24V	m/s	0.22 / 0.36			
	5.2	Lift Speed	With load / without load	48V std.	m/s	0.50 / 0.56			
			With load / without load	48V opt.	m/s	0.50 / 0.71			
	5.3	Lowering Speed	With load / without load	24V	m/s	0.41 / 0.41			
			With load / without load	48V	m/s	0.41 / 0.41			
5.10	Service Brake	Service			regenerative				
		Park			electro-magnetic				
Electric Motor	6.1	Traction Motor	Rating at S2 60 min.	24V	kW	3.9			
			Rating at S2 60 min.	48V	kW	4.8			
	6.2	Pump Motor	Rating at S3 15%	24V	kW	15.0			
			Rating at S3 15%	48V	kW	15.0			
	6.3	Max. Battery Box Size	DIN43531	lxwxh	mm	984x371x787	984x429x787	984x470x787	984x536x787
	6.4	Battery Voltage	Voltage		V	24 / 48			
Max. ampere				Ah	1050 / 735				
6.5	Battery Weight	Min.	24V	kg	690	910	1035	1180	
			48V	kg	775	910	1035	1180	
8.1	Drive Unit				AC traction				

* Capacity may be subject to derating if longer load centre (fork length) or wider platform width is required;

** Values shown with TT mast 6910 mm lift height, 2720 mm collapsed height, 1220 mm overall width and platform width

*** Ø 152 x 108 mm if max lift height [4.4] is 7820 mm or greater

Table 4 Standard Straddle

					SP 1520								
					TL					TT			
4.2	Mast Collapsed Height		h1	mm	2265*	2415	2720	3025	3330	2265*	2415	2720	3025
4.3	Free-lift		h2	mm	875	950				830	965	1145	1445
4.4	Lift Height	Including auxiliary lift	h3	mm	4240	4545	5155	5715	6220	5765	6145	6905	7820
4.5	Mast Extended Height		h4	mm	5690	5995	6605	7165	7675	7215	7595	8360	9275
4.7	Overhead Guard Height		h6		2240								
4.14	Operator Stand Height	Raised	h12	mm	3595	3900	4510	5070	5575	5120	5500	6260	7175
4.21	Overall Width	Front / rear	b2	mm	1015 / 1065						1015 / 1220	1270 / 1375	
		Operator platform		mm	1065						1220	1375	
4.27	Width across Side Roller	In 6.5 mm increments	b6	mm	1090 - 1661						1238 / 1809	1389 / 1960	

* Overall Collapsed Height 2315 mm

Table 5 Standard Straddle

					SP 1520			
					TT			
4.2	Mast Collapsed Height		h1	mm	3175	3330	3635	3785
4.3	Free-lift		h2	mm	1600	1750	2055	2205
4.4	Lift Height	Including auxiliary lift	h3	mm	8280	8735	9190	9650
4.5	Mast Extended Height		h4	mm	9730	10190	10645	11100
4.7	Overhead Guard Height		h6		2240			
4.14	Operator Stand Height	Raised	h12	mm	7635	8090	8550	9005
4.21	Overall Width	Front / rear	b2	mm	1270 / 1375	1345 / 1425	1420 / 1525	
		Operator platform		mm	1375	1375	1525	
4.27	Width across Side Roller	In 6.5 mm increments	b6	mm	1389 - 1960	1439 - 2010	1544 - 2115	

Max Capacity: 1000 kg for Collapsed Heights up to 3785 mm

Standard Equipment

1. Gena Operating System
2. 24 or 48-volt electrical system
3. AC lift, traction and steer motors
4. Linear height speed control gradually reduces travel speed as the platform raises
5. Variable Lift/Lower
6. Regenerative Lower
7. Programmable lift/lower cutouts (up to 6)
 - Zone Select: designate lift/lower cutouts into 3 separate zones
8. OnTrac Anti-Slip Traction Control
9. Intelligent Braking System combines the optimum amount of friction and motor braking
10. Intelligent Steering System automatically slows the travel speed when in a turn and provides smooth, electronic steering
11. Manual Wire Sense (with optional wire guidance)
12. Connectivity*
 - Cellular radio
 - Wireless truck firmware updates
 - Wireless truck data collection
 - Push wireless settings
13. Integrated InfoLink® Hardware **
 - Smart card reader
 - Impact sensor
 - Wi-Fi radio
14. RAM Mounted 7" Colour Touch Screen Display with Integrated Speaker
 - Optically bonded 2 mm thick capacitive touch screen
 - Integrated navigation buttons for freezer/cold storage applications
 - 40+ available languages
 - Vehicle status icons
 - Customisable dashboard with widgets
 - Steer Wheel Indicator / Wire Guidance
 - Stopwatch
 - Battery Discharge Indicator
 - Hour Meter
 - Height
 - Clock
 - Odometer
 - Zone Select
 - Calculator
 - Performance modes
 - Safety Reminders
- Enhanced service diagnostics and troubleshooting
 - Detailed event information and history
 - Built-in analyser
 - Step-by-step calibrations
 - Features programmability
 - Adjust performance settings
- Maintenance Mode**
- Visual Inspection Checklist**
- Impact strobe light and audible alert tone**
15. Start-up and run-time diagnostics
16. Corrosion Conditioning
17. Heavy-duty power unit
 - Removable steel battery side covers
 - Hinged, lift-off steel power unit doors
 - Hinged, top battery cover
 - 51 mm diameter battery rollers
18. Service panel with platform raise/lower buttons located behind power unit doors
19. Manual lowering valve located behind power unit doors
20. LED flashing light
21. Four battery compartment sizes: 371 mm, 427 mm, 470 mm, 536 mm
22. SB 350 battery connector
23. Colour-coded wiring
24. 330 mm diameter poly drive tyre
25. 152 mm diameter tandem load wheels
26. Operator-centric platform
 - Visibility windows
 - Large upper window – wire mesh screen
 - Exclusive middle window – wire mesh screen
 - Center floorboard window (1510 model)
 - Side floorboard slot windows
 - Aux mast visibility windows (SP 1520 model) – wire mesh screen
 - Cantilever side gates with cutout switches and integrated gas strut, padding and bungee cord
 - Premium anti-fatigue floor mat
 - 152 mm diameter brake pedal
 - Ergonomically designed operator controls
 - Right hand controls optimised for blending traction, lift/lower and horn

- i. Thumbwheel for traction control
- ii. Paddle for lift/lower control
- iii. Urethane covered hand grip with integrated horn button
- Left hand steering control
 - i. Exclusive, adjustable horizontal and vertical steer tiller orientation
 - ii. Spinner knob with urethane pad inserts
 - iii. Urethane hand grip for stability in guided aisles
- 2130 mm tall operator compartment
- Built-in platform storage
- Integrated Work Assist mounting rails
 - i. Flexibility in positioning Work Assist accessories
 - ii. Center mounted Work Assist organiser bin
- Retractable tether and body harness
- Alternative tether attachment locations
- Key switch
- USB charging port (5 V, 2 amp)
27. 38 mm manual pallet grab
28. InfoPoint Component Maps

Optional Equipment

1. High Speed Lift (48V models)
2. Independent right and left power unit facing control set height adjustability of 102 mm
3. Wire and/or rail guidance
4. End-of-aisle control system (wire or rail guidance required)
5. High capacity for standard straddle
6. Narrow Straddle
7. Fork Lengths
8. Pallet/Cart Detection
9. Override switch for lift/lower cutouts
10. Keyless user access
11. Display navigation knob (standard with freezer conditioning)
12. Panoramic Lexan Overhead Guard
13. Clear glass upper visibility windows
14. Clear poly middle visibility window
15. Clear poly aux mast visibility windows (SP 1520 model)
16. 1220 mm, 1370 mm, 1525 mm and 1625 mm wide operator platforms
17. 1980 mm tall operator compartment
18. LED Work Lights, LED Dome Lights and Dual Operator Fans
19. LED Spotlights
 - OHG mounted, adjustable
 - Mast mounted
20. OHG extensions with built-in LED pick bay lights
21. Floor Spotlight – Blue
22. Travel Alarm
23. Operator Backrest/Perch (SP 1520 model)
24. Full length side gates with cutout switches and integrated gas struts, padding, and bungee cord
25. Side gates raised travel and lift/lower functionality – programmable
26. Battery retainer interlock switch
27. V-Force® Lithium Ion Ready
28. Fuel Cell Ready
29. 102 mm, 152 mm or variable width (38 – 152 mm) manual pallet grab
30. Variable width (38 – 152 mm) electric pallet grab
31. Freezer Conditioning
 - Includes corrosion conditioning, ribbed floor mat, and wire mesh windows
32. Positive/Negative accessory cable (@ truck voltage)
33. UL EE Rating
34. 762 mm lanyard boom
35. Load wheel and drive tyre compounds
36. Rearview Mirrors
37. Work Assist Accessories
 - Work Assist packages
 - Additional USB Power Supply
 - Scan Gun Holder
 - Ram Mount
 - Shrink wrap holder
 - Drink holder
 - Angled storage buckets
 - Clipboard
 - Pocket inserts for standard organiser bin
 - Cargo net
 - Trash bracket
 - Corner tray
 - Center window bracket
 - Gate mounted reusable bag
 - Gate mounted pocket
 - Large, magnetic mounted, power unit storage bin
38. Special paint
39. Fire extinguisher
40. Aluminum platform extension
41. Fork facing controls or dual facing (fork and power unit) controls (SP 1520 model)

* Crown Lift Trucks with the Gena OS are connected products. Please see crown.com for the data use policy to see more.

** Functional with an active InfoLink® service plan.

Gena Operating System

Crown's proven integrated control structure provides an enhanced user experience for operators, service technicians and managers. Integrated InfoLink® hardware allows for seamless enabling of Crown's telematics fleet management solution.

The Gena Operating System monitors inputs from all on-board sensors and responds instantaneously to control truck systems for safe, optimised performance. All control modules are in constant communication via a CAN (Control Area Network) bus so that real time information is accessible to the system at all times.

Standard safety and performance features further boost operator confidence and productivity, increasing throughput in narrow aisle applications. Real-time truck communication to the user through the Gena display equates to a powerful data-rich experience. Wireless firmware downloads ensure that the Gena operating system can be easily updated without requiring the use of a handset or laptop.

7" Touch Screen Display

The industrial grade, capacitive touch screen display provides intuitive menus and configurable widgets to enhance operator engagement, productivity, and situational awareness. Large on-screen colour graphics provide an improved visual interface while an integrated speaker provides unique audible tones specific to the on-screen communication. Screens also offer context-sensitive assistance, including alerts, automated assistance, and dynamic real-time data. Safety reminder messages and an inspection checklist with visual cues* provide industry exclusive capabilities that reinforce operator training.

A refined service menu enables viewing of multiple lift truck inputs and outputs and step-by-step calibrations with voltage readouts which assists in expediting trouble shooting. Technicians can quickly access service history, set up performance parameters, and enable or disable truck features through the display.

Operator Platform

The enhance platform is designed to greater visibility, stability and ergonomics for increased operator confidence and comfort. The platform features a large upper visibility window.

The clear-visibility mast, with full free lift, extends both the upper and middle platform windows above the mast channels for unobstructed and visibility when elevated.

An industry exclusive standard middle window provides unmatched power unit first visibility at height. Standard center floor and side floor slot windows allow for easy viewing under the platform and of the outriggers while elevated. The SP 1520 features standard aux mast windows which provide elevated forks first visibility below a raised load. An optional panoramic overhead guard provides unobstructed views above the truck while elevating.

The right-hand control set features a fixed, urethane covered hand grip. The hand grip has an integrated horn button and a thumbwheel for traction control. A paddle near the hand grip actuates lift and lower. This design optimises blending of functions without compromising operator stability. Traction, lift/lower and horn engagement can be seamlessly blended while maintaining a consistent solid point of contact. The left-hand control set features an industry exclusive steer tiller orientation adjustment which provides operator flexibility while still retaining a solid point of contact to bolster operator confidence. The steering tiller is angled at 10° to reduce steer effort in the vertical position. An optional 102 mm of independent height adjustability for the power unit facing controls provides even more operational flexibility and comfort.

The premium anti-fatigue platform cushion, made of a microcellular composition, absorbs shock and vibration. A 152 mm diameter brake pedal has a low-profile design that is flush with the platform cushion when engaged for maximum comfort. Heavy-duty side gates feature integrated gas struts for easy lifting and lowering as well as integrated padding for a comfortable leaning point when order picking. Both gates include a built-in bungee cord for quick access to pick labels or other frequently used paperwork. Standard interlock cut-out switches disengage truck operation when the side gates are raised.

A light/fan package option, consisting of two work lights, two dome lights, and two operator fans, provides enhanced operator comfort and confidence. Integrated Work Assist mounting rails in the platform structure provides flexibility in positioning accessories and work tools. A USB charging port, organiser bin and integrated storage compartments are also standard. A foot-applied and foot-released pallet clamp for use with pallets having center stringers is also provided.

Crown Drive System

A Crown-manufactured drive unit uses spiral bevel and helical gears from motor to drive wheel axle. A fixed, mounted drive motor does not rotate which minimises wear on electrical cables. Standard linear height speed control provides smooth travel speed transitions as lift heights change, increasing productivity. Standard OnTrac anti-slip traction control monitors truck dynamics, optimises tractive effort, reduces spinning during acceleration, prevents lock-up during braking and can extend tyre life. It improves traction performance in wet, dusty or cold storage conditions. This system enhances safety and operators work more productively due to increased confidence.

Intelligent Steering

Crown's intelligent steering system slows the truck automatically when the steer tiller is turned beyond 12° enabling greater truck stability during turning. The Gena operating system monitors the height of the operator platform, truck speed and steer wheel position at all times. The steering tiller rotation provides smooth, operator feed-back. Auto-centering of the drive tyre occurs at start up.

Intelligent Braking

Crown's intelligent braking system combines variable motor braking with a three-step friction brake to optimise safety and comfort for the operator. The appropriate level of braking is applied dependent upon platform height, direction of travel and truck weight. Braking force is automatically reduced as height increases and speed decreases. Optimum braking at height avoids abrupt stops and reduces platform sway. In addition, friction brake use is reduced, which prolongs brake life. Proportional plugging permits the operator to control the rate of deceleration when extended stopping distance is preferred.

Enhanced Hydraulics

Heavy-duty AC pump motor and gear pump is assembled into an integral unit. Regenerative lowering, as well as variable lifting and lowering, are both standard on all voltage offerings. Standard high-speed lift performance for the 48V model, provide industry leading lift speeds. Hydraulic cylinder cushioning provides smooth and consistent lifting and lowering performance throughout the entire range of lift height which enhances operator comfort and confidence during operation.

* Crown Lift Trucks with the Gena OS are connected products. Please see crown.com for the data use policy to see more.

** Functional with an active InfoLink® service plan.

The Crown Mast Assembly

High visibility two- and three-stage masts feature a nested rail design with lift cylinders positioned behind the mast rails. The three-stage mast has a compact center cylinder yoke design for enhanced visibility in the power unit direction. Integrated mast guides between the channels provide smooth and quiet operation while traveling. Routing of hoses and cables optimises visibility throughout the mast. Built in sensors detect chain slack and shut down primary lower function if chain slack is detected. Negative rail drop allows for shimming of mast rollers without major disassembly.

Heavy-Duty Low Profile Power Unit

Power unit is fabricated from heavy-gauge steel. Lower skirt is 19 mm steel that runs 228 mm high for component protection. Rugged steel doors suspended on heavy-duty pin hinges cover power unit componentry. Doors swing wide for open access. Doors can be lifted off for unrestricted service access. Door fastening bolts have exclusive convex design that mate with concave door holes for faster alignment and installation. Lift-off battery side covers are all steel. An optional battery retainer interlock switch is available. Top battery access is available by lifting cover. Cover has integral support post. A standard panel is located behind the power unit doors to provide technicians with raise/lower functionality of the platform.

Warning Device Options**Audible Alerts**

Safety considerations and dangers associated with audible travel alarms include:

- Multiple alarms can cause confusion.
- Workers ignore the alarms after day-in and day-out exposure.
- Operator may transfer the responsibility for "looking out" to the pedestrians.
- Annoys operators and pedestrians.

Other Options Available

Contact factory for additional options.

Dimensions and performance data given may vary due to manufacturing tolerances.

Performance is based on an average size vehicle and is affected by weight, condition of truck, how it is equipped and the conditions of the operating area. Crown products and specifications are subject to change without notice.