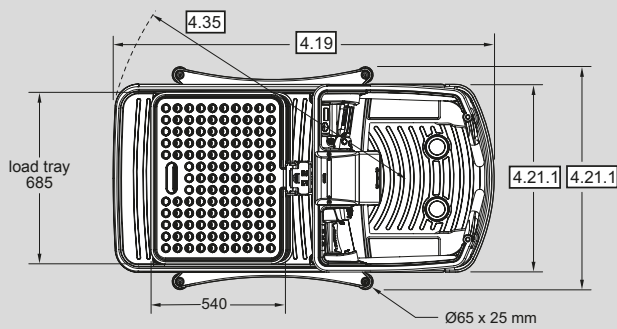
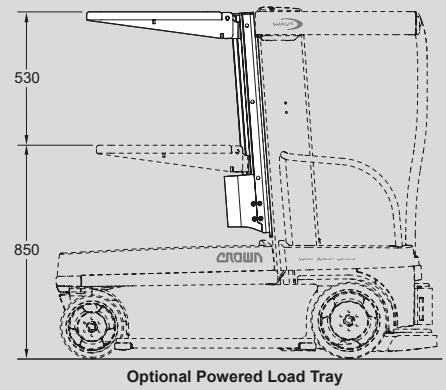
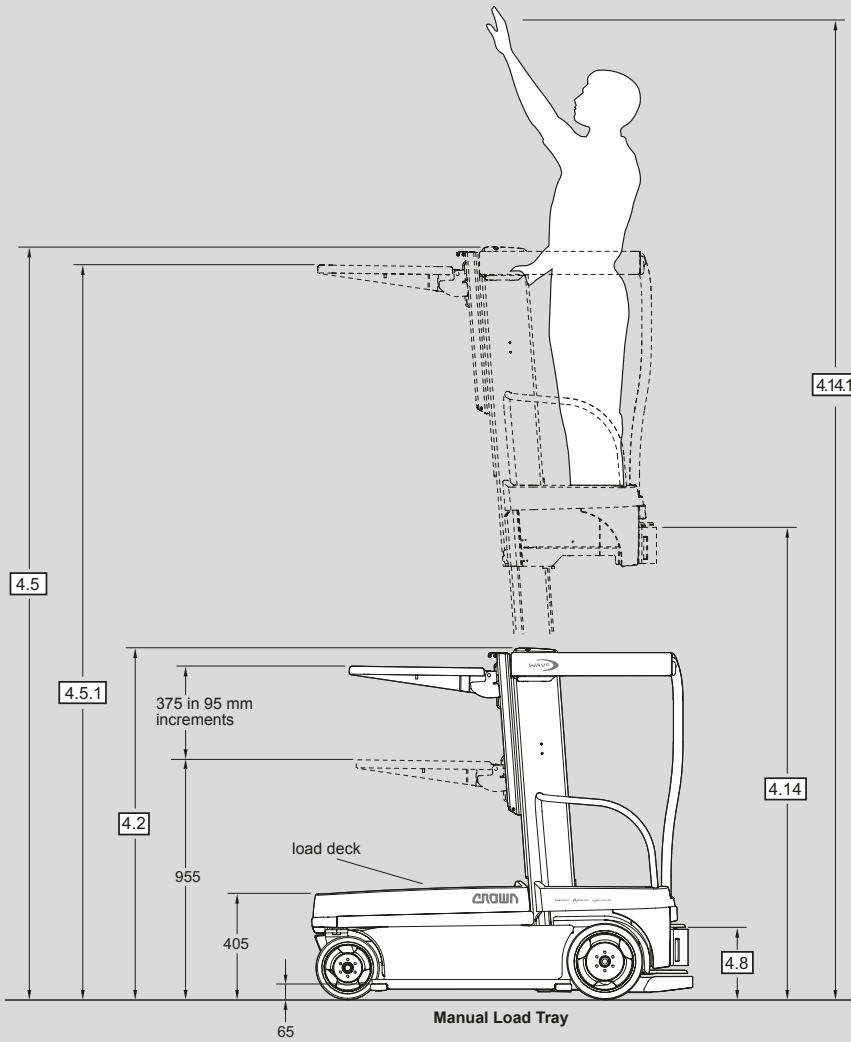


CROWN

WAV 60 SERIES

Specifications
Work Assist Vehicle®





Distinguishing Mark	1.1	Manufacturer		Crown Equipment Corporation	
	1.2	Model		WAV 60-118	
	1.3	Power Source		24 volts	
	1.5	Rated Capacity / Rated Load	Operator Compartment	kg	135
Load Tray			kg	90	
Load Deck			kg	115	
	2.1	Service Weight	With Battery	kg 645	
Tyres	3.1	Tyres		Poly	
	3.2	Tyre Size	front	mm (2) 255 Ø x 65 wide	
			rear	mm (2) 305 Ø x 65 wide	
Dimensions	4.2	Mast Collapsed Height		mm 1400	
	4.5	Mast Extended Height		mm 4090	
	4.5.1	Load Tray Height* (With tray at highest position)	Platform fully lowered, manual/powerd	mm	1330/1380
			Platform fully raised, manual/powerd	mm	4020/4070
	4.8	Stand Height		mm 305	
	4.14	Stand Height, elevated		mm 2995	
	4.14.1	Reach Height		mm 5000	
	4.19	Overall Length		mm 1525	
	4.21.1	Overall Width	Vehicle Width	mm	750
			With Rail Guide Rollers	mm	890
Rail Guide Roller Height (Top)			mm	65	
Rail Guide Roller Diameter			mm	65	
Rail Guide Roller Thickness			mm	25	
4.35	Turning Radius		mm 1205		
Performance Data	5.1	Travel Speed	with Load /without Load	See Chart Below	
	5.2	Lift Speed	with Load /without Load	m/s 0.22 / 0.30	
	5.3	Lowering Speed	with Load /without Load	m/s 0.22 / 0.30	
	5.7	Gradeability	with Load /without Load	% 10 / 15	
	5.10	Service Brake		Regenerative	
Electric Motor	6.4	Battery Voltage Nominal Capacity K5	Maintenance free	Ah 194	
			Lithium-Ion	Ah 105 / 210	
	6.5	Battery Weight	Maintenance free	kg 120	
	8.12	Parking Brake		Electric Released/Spring Applied	

*Manual Load Tray is 70 mm below top of mast / Powered Load Tray is 20 mm below top of mast

Top Travel Speeds (km/h)

Forward

Platform Height	Gate Condition	km/h
Below 305/510 mm*	Open	8.0
Below 305/510 mm*	Closed	4.8
305/510 mm* to 2135 mm	Open	0
305/510 mm* to 2135 mm	Closed	3.2
Above 2135 mm	Open	0
Above 2135 mm	Closed	1.6

Reverse

Platform Height	Gate Condition	km/h
Below 305/510 mm*	Open or Closed	3.2
305/510 mm* to 2135 mm	Open	0
305/510 mm* to 2135 mm	Closed	3.2
Above 2135 mm	Open	0
Above 2135 mm	Closed	1.6

Max. Wheel Loads / Floor Pressure

Laden (135 kg operator, 115 kg load deck, 90 kg load tray)

	Wheel Loads	Floor Pressure
Front Castor Wheel	192 kg	30 kg/cm ²
Rear Drive Wheel	300 kg	24 kg/cm ²

*Programmable

Standard Equipment

1. Crown's Access 1 2 3® Comprehensive System Control
2. 24 volt system
3. Multiple hour meters
 - Travel hours
 - Raise hours
 - Idle hours
 - Configurable planned maintenance timer
4. 194 Ah maintenance free batteries
5. Transistor system controller
6. Lift Limit Switch without or with override
7. Work Assist Storage Tray
8. 30 amp auto start/stop on-board battery charger
9. 2995 mm platform height
10. Key switch
11. Horn
12. Operator storage compartments
13. Alphanumeric display and related icons are used to prompt operator through Crown's safety features. For example... grab controls, depress pedals, close gates, etc.
14. Battery Charging Display on service panel indicating:
 - Abnormal Charge
 - Charging
 - Charge Complete
15. Rabbit/turtle switch
16. Power disconnect button on platform and service panel.
17. Regenerative service brake
18. Electromagnetic park brakes
19. Gate position interlocks
20. Gate alarms
21. Raise and lower control on platform and on the service panel. (floor level)
22. Programmable security power up
23. Auto power shutdown (0 - 90 minute range)
24. Black wheels
25. AC traction motors
26. AC controls
27. InfoPoint System
28. Front, rear and side steel bumpers with rubber over-mold
29. Stamped Load Tray

Other Standard Equipment

1. Programme selective forward, reverse, lift and lower alarms
2. Front and rear strobe lights

Safety considerations and dangers associated with audible travel alarms and flashing lights include:

- Multiple alarms and/or lights can cause confusion.
- Workers ignore the alarms and/or lights after day-in and day-out exposure.
- Operator may transfer the responsibility for "looking out" to the pedestrians.
- Annoys operators and pedestrians.

Optional Equipment

1. V-Force® Batteries
 - 105 amp-hour Lithium-ion battery (includes 50 amp auto start/stop on-board-charger)
 - 210 amp-hour Lithium-ion batteries (requires external charger)
2. Retractable battery charger-cord
3. Mast storage pockets
4. Mast storage bins
5. Aisle guide roller assembly, 890 mm width
6. Utility hooks
7. Work lights
8. Clip pad
9. Accessory mount
10. Front, rear and side steel bumpers
11. Powered Load Tray
12. Positive/negative accessory cable
13. InfoLink Ready Standard or Advantage
14. Load Tray inserts, wood or plastic
15. Wire Mesh Load Tray
16. InfoLink® Ready
17. Automatic Gate Locks

Operator Interface

The Wave® Work Assist Vehicle® has a comfortable work station for the operator. The floorboard is suspended to absorb shock and vibration, reducing fatigue. Foot and hand interlocks position the operator for good control and safety. Gate interlocks determine open or closed gate conditions and adjust vehicle performance.

Vehicle travel speed is reduced as the operator platform elevates. Maximum travel speeds can be reduced to meet the application requirements. An auto power shutdown can be programmed from 0 to 90 minutes to assist in preventive or unauthorised use.

Intelligent Control

A system controller manages vehicle travel, steering, braking, lift/lower and the display. The vehicle operates quietly and efficiently, extending battery charge. Vehicle performance is infinitely variable for excellent control and manoeuvrability.

Steering

The Wave® vehicle has a zero turning radius. A unique steer control interfaces with the operator. The system controller and dual drive units provide exceptional vehicle turning ability.

Braking

Regenerative braking is automatic when drive speed is reduced or when the operator removes a hand from the controls. A parking brake is automatically set one-half second after travel has stopped.

Serviceability

Modular design for servicing keeps the vehicle cost effective. Component access is simple. Battery charger operation is intuitive, with the built-in automatic start/stop. Maintenance-free batteries eliminate battery watering.

Crown's Access 1 2 3 technology provides optimum performance and control by offering a communication interface for both operators and service engineers, intelligent coordination of lift truck systems and simplified service with advanced diagnostics.

The Crown display is used for easy troubleshooting, access event history and to set performance features.

Three models of performance can be selected to accommodate operator experience or application requirements.

Durability

Cast steer and load wheels for improved durability. Steel front and rear bumpers offer protection to the truck if an impact would happen. Steel service and side panels. Service panel switch to prevent travel when panel is open.

Safety Regulations

Conforms to European safety standards. Dimensions and performance data given may vary due to manufacturing tolerances. Performance is based on an average size vehicle and is affected by weight, condition of truck, how it is equipped and the conditions of the operating area. Crown products and specifications are subject to change without notice.