

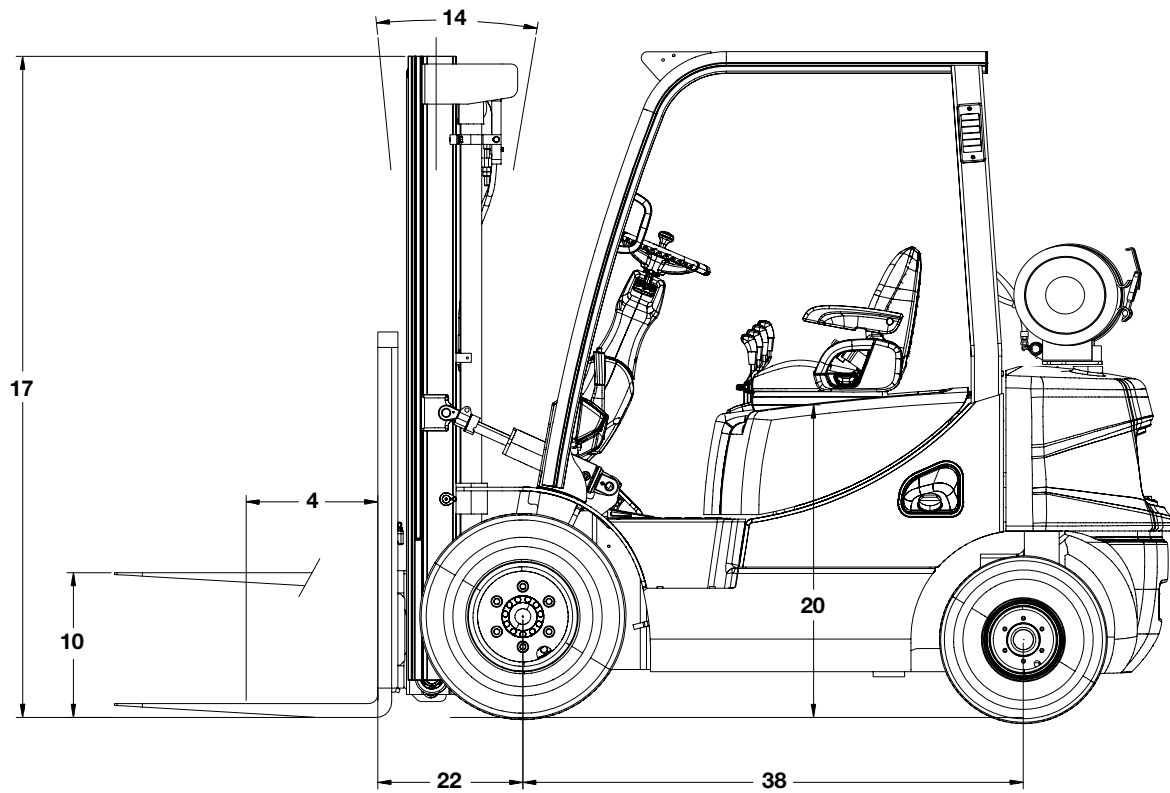
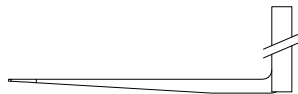
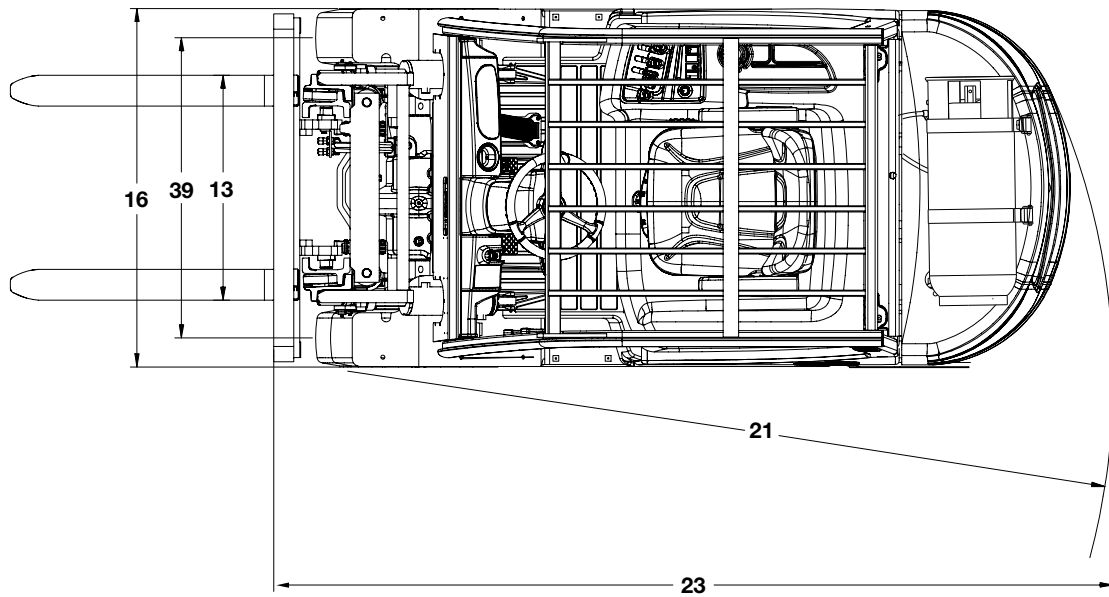
CROWN

C-G

3,000-4,000 lb Capacity
LPG Pneumatic Tire

Specifications





C-G Series

Specifications

Characteristics	2	Model			CG15S-5	CG18S-5	CG20SC-5		
	3	Load Capacity	at rated load center	lb(kg)	3,000 (1,500)	3,500 (1,750)	4,000 (2,000)		
	4	Load Center		in(mm)	24 (500)				
	5	Power Type	Electric, Diesel, LPG, Gasoline		LPG				
	6	Operator Type	Seated						
	7	Tire Type	P:Pnu, E:Solid Soft, C: Cush						
	8	Wheels (x=Driven)	Front / Rear		x2 / 2				
	Dimensions	9	Max. Fork Height	with STD 2-stage mast	in(mm)	129.9 (3,300)			
10		Free Lift		in(mm)	5.3 (135)		5.5 (140)		
12		Fork Carriage	ISO Class		II				
13		Forks	Length x Width x Thickness		in(mm)	35.4 x 3.9 x 1.4 (900 x 100 x 35)		35.4 x 3.9 x 1.6 (900 x 100 x 40)	
			Fork Spacing(Min x Max)		in(mm)	9.5 x 35.6 (240 x 905)			
14		Tilt of Mast	Forward / Backward		deg	6 / 8			
15		Overall Dimensions	Length to Fork Face		in(mm)	85.4 (2,170)	87.2 (2,215)	88.6 (2,250)	
16			Overall Width	Single		in(mm)	42.1 (1,070)		
				Dual		in (mm)			
17			Mast Lowered Height		in(mm)	86 (2,185)			
18			Mast Extended Height		in(mm)	171.5 (4,355)		171.7 (4,360)	
19		Overhead Guard Height		in(mm)	85.4 (2,170)				
20		Seat Height		in(mm)	39.6 (1,005)				
21	Turning Radius	Minimum outside		in(mm)	77.8 (1,977)	79.6 (2,022)	80.7 (2,050)		
22	Load Distance			in(mm)	15.5 (394)		15.7 (399)		
23	Right Angle Stack			in(mm)	92.9 (2,360)	94.4 (2,398)	95.4 (2,422)		
Performance	24	Travel Speed	Loaded / Unloaded	mph(km/h)	11.2 / 11.8 (18 / 19)				
	25	Lifting Speed	Loaded / Unloaded	fpm(mm/s)	118.1 / 128.0 (600 / 650)				
	26	Lowering Speed	Loaded / Unloaded	fpm(mm/s)	98.4 / 88.6 (500 / 450)				
	28	Max. Drawbar Pull	Loaded at 1.0 mph (1.6km / h)		lb(kg)	3,174.7 (1,440)	3,152.6 (1,430)	3,130.6 (1,420)	
	30	Max. Gradeability	Loaded at 1.0 mph (1.6km / h)		%	35.5	31	28.5	
Weight	32	Total Service Weight, Unloaded		lb(kg)	6,172.9 (2,800)	6,635.9 (3,010)	6,988.6 (3,170)		
	33	Axle Load	Loaded, Front / Rear		lb(kg)	8,322.4 / 1,157.4 (3,775 / 525)	9,127.2 / 1,366.9 (4,140 / 620)	9,946.9 / 1,433 (4,520 / 650)	
			Unloaded, Front / Rear		lb(kg)	2,910.1 / 3,273.9 (1,320 / 1,485)	2,799.9 / 3,836 (1,270 / 1,740)	2,722.2 / 4,265.9 (1,235 / 1,935)	
Chassis	35	Tires	Number of wheels (F / R)		2 / 2				
			Size, Front		6.50 x 10-12				
			Size, Rear		5.00 x 8-10				
	38	Wheel Base	Distance		in(mm)	55.1 (1,400)			
	39	Tread Width	Front / Rear		in(mm)	35.0 / 35.8 (890 / 910)			
	40	Ground Clearance	Loaded at the lowest point		in(mm)	4.7 (120)			
			Loaded at center of wheelbase		in(mm)	5.9 (150)			
	42	Brakes	Service			Foot / Hyd			
			Parking			Hand / Mech			
	Powertrain	45	Battery	Voltage / Ampere		V / AH	12 / 45		
49		Engine	Model			HMC 2.4L			
			Rated Power (DIN)	HP/rpm		45.5 / 2,450			
				kW/rpm		33.9 / 2,450			
			Maximum Torque	lb-ft/rpm		109.2 / 1,600			
				kg-m/rpm		15.1 / 1,600			
52		Cylinders / Displacement		in3(cc)	4 / 144 (2,359)				
55		Transmission	Type			Powershift			
	Number of Speeds (Fwd / Rev)			1 / 1					
57	Hydraulic Pressure	System		psi(bar)	2,552 (176)	2,880 (199)	3,132 (216)		
		Attachment		psi(bar)	2,552 (176)	2,880 (199)	3,132 (216)		

C-G Series

Specifications

Mast Chart CG15S-5

Mast Type	Maximum Fork Height		Maximum Lowered Height		Fully Extended Height With Load Backrest		Free Lift With Load Backrest		Rated Load Capacities			
									Tilt Angle		Load Capacities	
									FWD	BWD	LC 500mm	LC 24in
	mm	in	mm	in	mm	in	mm	in	deg	deg	kg	lb
TL	3000	118	2035	80	4055	160	135	5	6	8	1500	3000
	3300	130	2185	86	4355	171	135	5	6	8	1500	3000
	3500	138	2285	90	4555	179	135	5	6	8	1500	3000
	3700	146	2385	94	4755	187	135	5	6	8	1500	3000
	4000	157	2585	102	5055	199	135	5	6	8	1500	3000
	4500	177	2835	112	5555	219	135	5	6	8	1500	3000
TF	2700	106	1885	74	3755	148	880	35	6	8	1500	3000
	3000	118	2035	80	4055	160	1030	41	6	8	1500	3000
	3300	130	2185	86	4355	171	1180	46	6	8	1500	3000
TT	4000	157	1915	75	5055	199	910	36	6	8	1500	3000
	4500	177	2080	82	5555	219	1075	42	6	8	1475	2950
	4750	187	2165	85	5805	229	1160	46	6	8	1425	2850
	5000	197	2280	90	6055	238	1275	50	6	5	1400	2800
	5500	217	2515	99	6555	258	1510	59	6	5	1275	2550
	6000	236	2680	106	7055	278	1675	66	6	5	975	1950

Mast Chart CG18S-5

Mast Type	Maximum Fork Height		Maximum Lowered Height		Fully Extended Height With Load Backrest		Free Lift With Load Backrest		Rated Load Capacities			
									Tilt Angle		Load Capacities	
									FWD	BWD	LC 500mm	LC 24in
	mm	in	mm	in	mm	in	mm	in	deg	deg	kg	lb
TL	3000	118	2035	80	4055	160	135	5	6	8	1750	3500
	3300	130	2185	86	4355	171	135	5	6	8	1750	3500
	3500	138	2285	90	4555	179	135	5	6	8	1750	3500
	3700	146	2385	94	4755	187	135	5	6	8	1750	3500
	4000	157	2585	102	5055	199	135	5	6	8	1750	3500
	4500	177	2835	112	5555	219	135	5	6	8	1750	3500
TF	2700	106	1885	74	3755	148	880	35	6	8	1750	3500
	3000	118	2035	80	4055	160	1030	41	6	8	1750	3500
	3300	130	2185	86	4355	171	1180	46	6	8	1750	3500
TT	4000	157	1915	75	5055	199	910	36	6	8	1750	3500
	4500	177	2080	82	5555	219	1075	42	6	8	1750	3500
	4750	187	2165	85	5805	229	1160	46	6	8	1500	3000
	5000	197	2280	90	6055	238	1275	50	6	5	1575	3150
	5500	217	2515	99	6555	258	1510	59	6	5	1200	2400
	6000	236	2680	106	7055	278	1675	66	6	5	900	1800

Mast Chart CG20S-5

Mast Type	Maximum Fork Height		Maximum Lowered Height		Fully Extended Height With Load Backrest		Free Lift With Load Backrest		Rated Load Capacities			
									Tilt Angle		Load Capacities	
									FWD	BWD	LC 500mm	LC 24in
	mm	in	mm	in	mm	in	mm	in	deg	deg	kg	lb
TL	3000	118	2035	80	4060	160	140	6	6	8	2000	4000
	3300	130	2185	86	4360	172	140	6	6	8	2000	4000
	3500	138	2285	90	4560	180	140	6	6	8	2000	4000
	3700	146	2385	94	4760	187	140	6	6	8	2000	4000
	4000	157	2585	102	5060	199	140	6	6	8	2000	4000
	4500	177	2835	112	5560	219	140	6	6	8	1675	3350
TF	2700	106	1885	74	3760	148	880	35	6	8	2000	4000
	3000	118	2035	80	4060	160	1030	41	6	8	2000	4000
	3300	130	2185	86	4360	172	1180	46	6	8	2000	4000
TT	4000	157	1915	75	5060	199	910	36	6	8	2000	4000
	4500	177	2080	82	5560	219	1075	42	6	8	1700	3400
	4750	187	2165	85	5810	229	1160	46	6	5	1750	3500
	5000	197	2280	90	6060	239	1275	50	6	5	1525	3050
	5500	217	2515	99	6560	258	1510	59	6	5	1150	2300
	6000	236	2680	106	7060	278	1675	66	6	5	850	1700

Standard Features

1. Hyundai 2.4L Engine
2. Power shift transmission
3. Oil-cooled disc brakes
4. Power steering
5. Tilting steer column
6. Anti-restart ignition switch
7. Dual-element air cleaner
8. 85.4" OHG
9. Class II fork carriage
10. Front - worklights (pair)
11. Vinyl suspension seat with hip restraint

Optional Equipment

1. Inversion Control
2. Tilt Position Assist
3. FODC (Mono-Pedal) with Neutral
Note: Must be ordered with Autoshift Controller
4. Fire extinguisher 1.5 lb. ABC chemical
5. Pre-cleaner
6. Steer knob
7. Low fuel warning light
8. LP cradle (swing out)
9. LP cradle (swing out and down)
10. Vented side panels
11. Large rear view mirrors (pair)
12. Radiator screen
13. Ground speed control
14. 4th function lockout (clamp interlock)
15. Hydraulic accumulator (uncharged)
16. Seat belt interlock
17. Lights
 - Front - LED worklights
 - Combination lights - LED front - worklights & turn signals
 - Rear - stop, tail, backup, and turn signals
 - Rear worklight - LED
18. Audible warning devices
 - Back up alarm
19. Visual warning devices
 - Flashing light (amber or red)
 - Floor spot light (blue light)
 - Zone lighting (red)
20. Attachments
 - Hang-on sideshifter
 - Integral sideshifter
 - Integral sideshifting fork positioner
21. Partial cabin
 - Roof cover
 - Roof cover and front windshield
 - Roof cover, front and rear windshields

Warning Device Options

Audible or Visual Alerts

Safety considerations and dangers associated with audible travel alarms and lights include:

- Multiple alarms and/or lights can cause confusion.
- Workers ignore the alarms and/or lights after day-in and day-out exposure.
- Operator may transfer the responsibility for "looking out" to the pedestrians.
- Annoys operators and pedestrians.

Other Options Available

Contact factory for additional options.

Dimensions and performance data given may vary due to manufacturing tolerances. Performance is based on an average size vehicle and is affected by weight, condition of vehicle, how it is equipped and the conditions of the operating area. Products and specifications are subject to change without notice.



Crown Equipment Corporation

crown.com

You can count on Crown to sell lift trucks designed for safe operation, but that's only part of the safety equation. Crown encourages safe operating practices through ongoing operator training, safety-focused supervision, maintenance and a safe working environment. Go to crown.com and view our safety section to learn more.

Because Crown is continually improving its products, specifications are subject to change without notice.

Notice: Not all products and product features are available in all countries in which this literature is published.

Crown, the Crown logo, the color beige, the Momentum symbol, and InfoLink are trademarks of Crown Equipment Corporation in the United States and other countries.

Copyright 2023 Crown Equipment Corporation
SF20704 01-23
Printed in U.S.A