

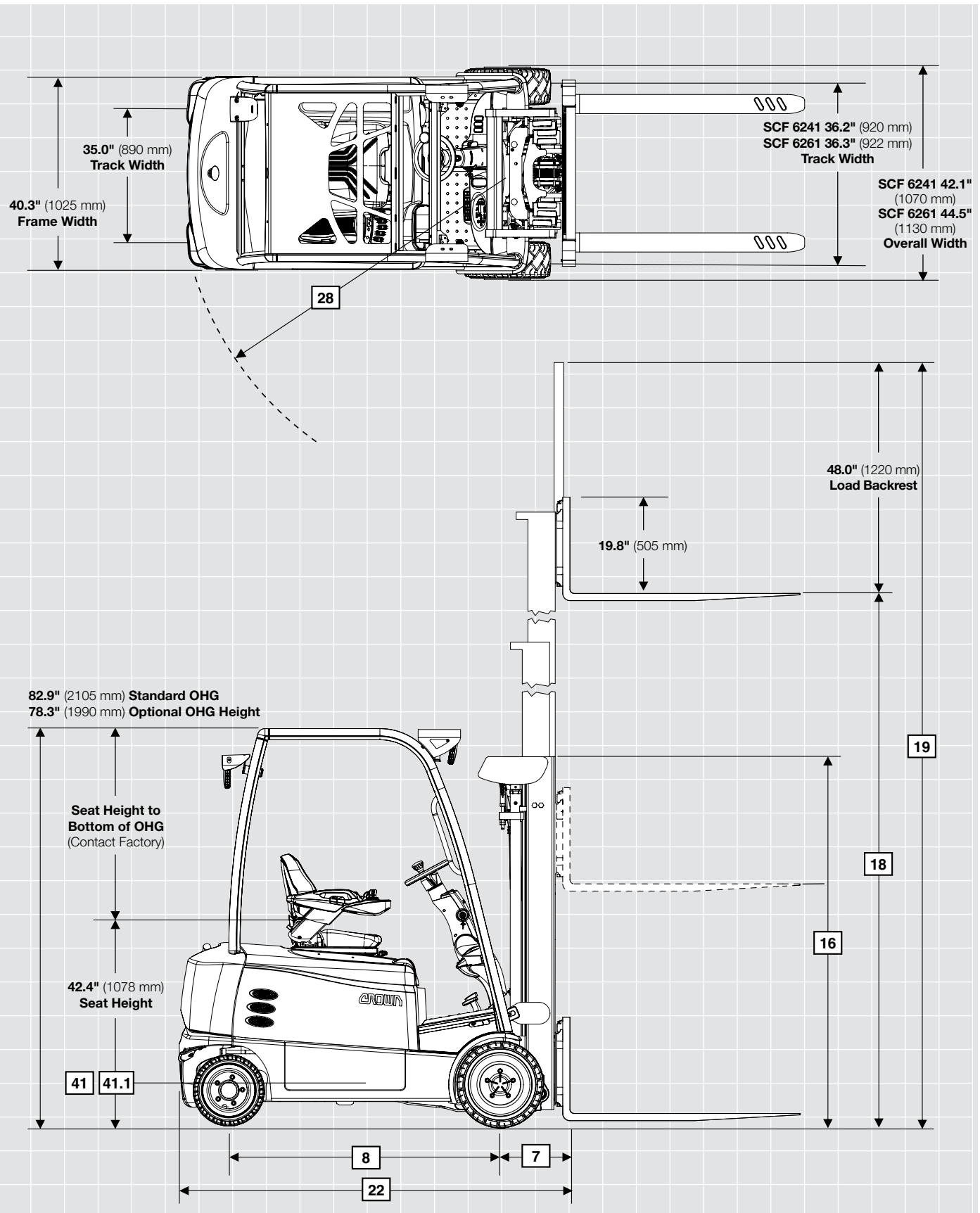
CROWN

SC 6200 SERIES

Specifications

Four Wheel
Counterbalance Truck





SC 6200 Series

Specifications

			<i>Imperial</i>	<i>Metric</i>	<i>Imperial</i>	<i>Metric</i>				
General Information	1	Manufacturer	Crown Equipment Corporation							
	2	Model	SCF 6241-35		SCF 6241-40					
	3	Power (Fuel) Type	Electric, Diesel, Gas, LPG							
	4	Operator Type	Electric							
	5	Load Capacity	Sit-down Rider							
	6	Load Center	lb kg	3,500	1585	4,000	1810			
	7	Load Distance	Per ANSI B56.1	in mm	24	600	24	600		
	8	Wheelbase	TT Mast, Forks only	in mm	14.5	370	14.5	370		
Weight	9	Truck Weight	in mm	56.7	1440	56.7	1440			
	9.1	Axle Load, Loaded	Less Battery	lb kg	Contact Factory					
	9.2	Axle Load, Empty	Front / Rear	lb kg	Contact Factory					
Tires	10	Tire Type	Cushion, Solid Pneumatic, Air-filled Pneumatic							
	11	Tire Size, Front	18 x 7-8		200 / 50-10					
	12	Tire Size, Rear	140 / 55-9							
	13	Wheels	Number (x = driven) Front / Rear							
Dimensions	14	Track Width	Standard, Front / Rear	in mm	36.2 / 35.0	920 / 890	36.2 / 35.0	920 / 890		
	15	Mast	Tilt	deg deg	See Mast Charts					
	16		Collapsed Height	in mm						
	17		Free Lift	in mm						
	18		Lift Height	in mm						
	19		Extended Height	in mm						
	20	Overhead Guard Height	in mm				See Line Drawing			
	21	Seat Height	From floor to SIP				in mm		See Line Drawing	
	21.1	Seat Height to Bottom of OHG	From SIP to Bottom of OHG				in mm		Contact Factory	
	22	Headlength	TT mast, forks only	in mm	80.9	2055	81.2	2060		
	23	Overall Width	Standard Tread	in mm	42.4	1080	44.5	1130		
	24	Forks	Standard L x W x T	in mm	36 x 4 x 1.75	915 x 102 x 44	36 x 4 x 1.75	915 x 102 x 44		
	25	Fork Carriage	in mm				ITA Class II			
	26	Ground Clearance	Loaded Below Mast	in mm	3	75	3	75		
26.1	Center of Wheelbase		in mm	4.2	105	4.2	105			
27	Working Aisle Width	Minimum non-intrusive right angle stack	in mm	Calculate using RAS Calculator						
28	Turning Radius	TT Mast, Forks only	in mm	67.3	1710	67.3	1710			
Performance	29	Travel Speed, Forks First	Loaded / Empty	mph km/h	10 / 10	16 / 16	10 / 10	16 / 16		
	30	Travel Speed, Power Unit First	Loaded / Empty	mph km/h	10 / 10	16 / 16	10 / 10	16 / 16		
	31	Lift Speed	Loaded / Empty	fpm m/s	108 / 110	0.55 / 0.56	102 / 110	0.52 / 0.56		
	32	Lowering Speed	Loaded / Empty	fpm m/s	98 / 98	0.50 / 0.50	98 / 98	0.50 / 0.50		
	33	Drawbar Pull	Loaded / Empty (60 min. rating)	lbf N	490 / 560	2186 / 2500	475 / 550	2113 / 2466		
	34	Gradeability	Loaded / Empty (30 min. rating)	% %	9.5 / 14.8		8.7 / 14.0			
	35	Brake	Service / Park				Foot - Motor / Auto - Electro-mechanical			
Motors / Batteries	36	Traction Motor	36V, 60 min. rating	hp kW	7.4 2x	5.5 2x	7.4 2x	5.5 2x		
	37	Lift Motor	48V, 15% ON time	hp kW	15.0	11.2	15.0	11.2		
	38	Battery Compartment	Nominal				25	635	25	635
	38.1	Max. Battery Size	Without Rollers, L x W x H	in mm	32.7 x 24.8 x 24.9	831 x 630 x 633	32.7 x 24.8 x 24.9	831 x 630 x 633		
	38.2		With Rollers, L x W x H	in mm	32.7 x 24.8 x 24.7	831 x 630 x 627	32.7 x 24.8 x 24.7	831 x 630 x 627		
	39	Battery Voltage / Max. Ah / Max. kWh	48V @ 5 hour Rate	V / Ah / kWh	48V / 625Ah / 29.1kWh		48V / 625Ah / 29.1kWh			
	40	Battery Weight	Min. / Max.	lb kg	1,793 / 1,981	815 / 895	1,793 / 1,981	815 / 895		
41	Battery Floor Height	With Rollers	in mm	8.3	210	8.3	210			
41.1		Without Rollers	in mm	8.0	204	8.0	204			
Misc.	42	Max. Op. Pressure for Attachments	psi Bar		2,540	175	2,540	175		
	43	Max. Hyd. Oil Flow for Attachments	gpm lpm		8	30.3	8	30.3		

Performance specifications are based on a truck equipped with a 190" (4825 mm) triple telescopic mast and standard forks only. For specific truck configuration capacities and right angle stack dimensions, contact your local dealer.

SC 6200 Series

Specifications

			<i>Imperial</i>	<i>Metric</i>	<i>Imperial</i>	<i>Metric</i>		
General Information	1	Manufacturer	Crown Equipment Corporation					
	2	Model	SCF 6261-40		SCF 6261-43			
	3	Power (Fuel) Type	Electric, Diesel, Gas, LPG					
	4	Operator Type	Electric					
	5	Load Capacity			Sit-down Rider			
	5	Load Capacity		lb kg	4,000	1810	4,300	1950
	6	Load Center	Per ANSI B56.1	in mm	24	600	24	600
	7	Load Distance	TT Mast, Forks only	in mm	14.5	370	14.5	370
8	Wheelbase		in mm	60.9	1545	60.9	1545	
Weight	9	Truck Weight	Less Battery	lb kg	Contact Factory			
	9.1	Axle Load, Loaded	Front / Rear	lb kg	Contact Factory			
	9.2	Axle Load, Empty	Front / Rear	lb kg	Contact Factory			
Tires	10	Tire Type	Cushion, Solid Pneumatic, Air-filled Pneumatic					
	11	Tire Size, Front	Solid Pneumatic					
	12	Tire Size, Rear	200 / 50-10					
	13	Wheels	140 / 55-9					
Dimensions	14	Track Width	Number (x = driven) Front / Rear		2x / 2			
	14	Track Width	Standard, Front / Rear	in mm	36.2 / 35.0	920 / 890	36.2 / 35.0	920 / 890
	15	Mast	Tilt	deg deg	See Mast Charts			
	16		Collapsed Height	in mm				
	17		Free Lift	in mm				
	18		Lift Height	in mm				
	19		Extended Height	in mm				
	20	Overhead Guard Height		in mm	See Line Drawing			
	21	Seat Height	From floor to SIP	in mm	Contact Factory			
	21.1	Seat Height to Bottom of OHG	From SIP to Bottom of OHG	in mm	Contact Factory			
	22	Headlength	TT mast, forks only	in mm	85.4	2170	85.4	2170
	23	Overall Width	Standard Tread	in mm	44.5	1130	44.5	1130
	24	Forks	Standard L x W x T	in mm	36 x 4 x 1.75	915 x 102 x 44	36 x 4 x 1.75	915 x 102 x 44
	25	Fork Carriage		in mm	ITA Class II			
26	Ground Clearance	Loaded Below Mast	in mm	3	75	3	75	
26.1		Center of Wheelbase	in mm	4.2	105	4.2	105	
27	Working Aisle Width	Minimum non-intrusive right angle stack	in mm	Calculate using RAS Calculator				
28	Turning Radius	TT Mast, Forks only	in mm	71.5	1820	71.5	1820	
Performance	29	Travel Speed, Forks First	Loaded / Empty	mph km/h	10 / 10	16 / 16	10 / 10	16 / 16
	30	Travel Speed, Forks First	Loaded / Empty	mph km/h	10 / 10	16 / 16	10 / 10	16 / 16
	31	Lift Speed	Loaded / Empty	fpm m/s	102 / 110	0.52 / 0.56	96 / 110	0.49 / 0.56
	32	Lowering Speed	Loaded / Empty	fpm m/s	98 / 98	0.50 / 0.50	98 / 98	0.50 / 0.50
	33	Drawbar Pull	Loaded / Empty (60 min. rating)	lbf N	470 / 550	2109 / 2462	455 / 545	2037 / 2429
	34	Gradeability	Loaded / Empty (30 min. rating)	% %	8.7 / 13.9		8.0 / 13.2	
	35	Brake	Service / Park		Foot - Motor / Auto - Electro-mechanical			
Motors / Batteries	36	Traction Motor	36V, 60 min. rating	hp kW	7.4 2x	5.5 2x	7.4 2x	5.5 2x
	37	Lift Motor	48V, 15% ON time	hp kW	15.0	11.2	15.0	11.2
	38	Battery Compartment	Nominal	in mm	29	737	29	737
	38.1	Max. Battery Size	Without Rollers, L x W x H	in mm	32.7 x 29.1 x 24.9	931 x 739 x 633	32.7 x 29.1 x 24.9	831 x 739 x 633
	38.2		With Rollers, L x W x H	in mm	32.7 x 29.1 x 24.7	830 x 739 x 627	32.7 x 29.1 x 24.7	830 x 739 x 627
	39	Battery Voltage / Max. Ah / Max. kWh	48V @ 5 hour Rate	V / Ah / kWh	48V / 660Ah / 30.57kWh		48V / 660Ah / 30.57kWh	
	40	Battery Weight	Min. / Max.	lb kg	2,122 / 2,435	965 / 1100	2,122 / 2,435	965 / 1100
41	Battery Floor Height	With Rollers	in mm	8.3	210	8.3	210	
41.1		Without Rollers	in mm	8.0	204	8.0	204	
Misc.	42	Max. Op. Pressure for Attachments		psi Bar	2,540	175	2,540	175
	43	Max. Hyd. Oil Flow for Attachments		gpm lpm	8	30.3	8	30.3

Performance specifications are based on a truck equipped with a 190" (4825 mm) triple telescopic mast and standard forks only. For specific truck configuration capacities and right angle stack dimensions, contact your local dealer.

Mast Chart SC 6200			TL - Truckers Mast										
Dimensions	16	Collapsed Height	in mm	54.0	1370	58.0	1470	60.0	1520	61.0	1545	76.0	1930
	18	Lift Height	in mm	68.0	1725	76.0	1930	80.0	2030	82.0	2080	112.0	2840
	19	Extended Height ¹	in mm	116.5	2955	124.5	3155	128.0	3255	130.0	3305	160.5	4075
	15	Tilt (B/F) Std. OHG	degree	5/5		5/5		5/5		5/5		5/5	
	15.1	Tilt (B/F) Drive-in Rack OHG	degree	5/5		5/5		5/5		5/5		5/5	

¹ Includes 48" (1219 mm) tall load backrest

Mast Chart SC 6200			TL - Limited Free Lift Mast																
Dimensions	16	Collapsed Height	in mm	77.0	1955	83.0	2105	89.0	2260	95.0	2410	100.0	2540	105.0	2665	112.0	2840	119.5	3035
	18	Lift Height	in mm	114.0	2895	126.0	3200	138.0	3505	150.0	3810	160.0	4060	165.0	4190	179.0	4545	194.0	4925
	19	Extended Height ¹	in mm	162.5	4125	174.5	4425	186.5	4735	198.5	5035	208.5	5295	213.5	5425	227.5	5775	243.0	6165
	15	Tilt (B/F) Std. OHG	degree	5/5		5/5		5/5		3/5		3/5		3/5		3/5		3/5	
	15.1	Tilt (B/F) Drive-in Rack OHG	degree	3/5		5/5		5/5		3/5		3/5		3/5		3/5		3/5	

¹ Includes 48" (1219 mm) tall load backrest

Mast Chart SC 6200			TF - Free Lift Mast										
Dimensions	16	Collapsed Height	in mm	77.0	1955	83.0	2105	89.0	2260	95.0	2410	100.0	2540
	18	Lift Height	in mm	117.0	2970	129.0	3275	141.0	3580	153.0	3885	163.0	4140
	17	Free Lift Height ¹	in mm	29.0	735	35.0	885	41.0	1040	47.0	1190	52.0	1320
	19	Extended Height ¹	in mm	166.0	4215	178.0	4515	190.0	4825	202.0	5125	212.0	5385
	15	Tilt (B/F) ² Std. OHG	degree	5/5		5/5		5/5		3/5		3/5	
15.1	Tilt (B/F) ² Drive-in Rack OHG	degree	3/5		5/5		5/5		3/5		3/5		

¹ Includes 48" (1219 mm) tall load backrest

² Tilt listed is when below tilt interlock height

Mast Chart SC 6200			TT - Triple Telescopic Mast																
Dimensions	16	Collapsed Height	in mm	77.0	1955	83.0	2105	89.0	2260	95.0	2410	100.0	2540	105.0	2665	112.0	2840	119.5	3035
	18	Lift Height	in mm	172.0	4365	190.0	4825	208.0	5280	226.0	5740	241.0	6120	252.0	6400	273.0	6930	295.0	7490
	17	Free Lift Height ¹	in mm	29.0	735	35.0	885	41.0	1040	47.0	1190	52.0	1320	57.0	1445	64.0	1620	71.5	1815
	19	Extended Height ¹	in mm	220.5	5600	238.5	6050	256.5	6515	274.5	6965	289.0	7345	300.5	7625	321.0	8155	343.0	8715
	15	Tilt (B/F) ² Std. OHG	degree	5/5		5/5		5/5		3/5		3/5		3/5		3/5		3/5	
15.1	Tilt (B/F) ² Drive-in Rack OHG	degree	3/5		5/5		5/5		3/5		3/5		3/5		3/5		3/5		

¹ Includes 48" (1219 mm) tall load backrest

² Tilt listed is when below tilt interlock height

Mast Chart SC 6200			QUAD		
Dimensions	16	Collapsed Height	in mm	83.0	2105
	18	Lift Height	in mm	240.0	6095
	17	Free Lift Height ¹	in mm	35.0	885
	19	Extended Height ¹	in mm	288.5	7330
	15	Tilt (B/F) ² Std. OHG	degree	3/5	
15.1	Tilt (B/F) ² Drive-in Rack OHG	degree	3/5		

¹ Includes 48" (1219 mm) tall load backrest

² Tilt listed is when below tilt interlock height

Standard Equipment

1. Crown's Access 1 2 3 Comprehensive System Control
2. 48-volt system
3. AC traction and hydraulic systems
4. Crown-manufactured traction and hydraulic motors
5. Steer linkage with large diameter king pins and tapered roller bearing
6. Intrinsic Stability System
 - System-controlled hydraulics
 - Travel and cornering speed control
 - Tilt Interlock
 - Stability-enhanced counterweight
 - Intelligent ramp control
7. e-GEN braking system with automatic parking brake
8. Suspension Seat - vinyl with hip restraint and anti-cinch seatbelt
9. Extended steering wheel column with infinite adjustment
10. Manual hydraulic control levers
11. Crown Display
 - Battery discharge indicator with lift interrupt and re-key feature
 - Hour meters
 - User code ready
 - Event code indicator and notification
 - P1, P2, & P3 performance modes
 - Access 1 2 3 service menus
12. 10" diameter steering wheel with spinner knob
13. SB350 battery connector
14. InfoPoint System Maps
15. 48" (1220 mm) high load backrest
16. 5° forward tilt
17. On-demand power steering
18. Lift interrupt
19. Lift-out or side battery removal access
20. Solid pneumatic tires
21. Keyswitch On/Off
22. Class II Hang-on fork carriage
23. Corrosion package

Optional Equipment

1. TL Truckers, TL, TF, TT and QUAD masts
2. Mast stops and lift limit options
3. Crown integral sideshifter
4. Factory installed attachments
 - Hang-on sideshifter
 - Fork positioners
 - Push/pulls
5. Additional load backrest heights
6. Additional fork lengths
7. Partial and fully tapered forks
8. Alternate Power Sources
 - V-Force® Li-ion Ready
9. Battery rollers
10. Battery retainer switch
11. Additional battery connectors
12. Seat Deck Connector Options
 - Single battery cable – 1 connector on seat deck
 - Dual battery cable – 2 connector on seat deck
13. Additional Tire options
 - Cushion, smooth rubber tires
 - Cushion, smooth non-marking rubber tires
 - Cushion, lugged rubber tires
 - Cushion, lugged non-marking rubber tires
 - Solid pneumatic - non-marking
14. Drive-in Rack OHGs
15. Hard door ready overhead guard
16. OHG Top covers
 - Plexiglass
 - Roll-up sunshade
17. Cabins
 - Partial cabins
 - Soft cabins
 - Hard cabins
 - Cabin heater
18. Suspension seat - fabric
19. D4 Armrest

20. Bionic hydraulic controls
 - Fingertip
 - Mini-lever
 - Dual-lever
 - Combination
21. Additional seatbelts
 - Black seatbelt
 - Orange Hi-vis seatbelt with interlock
22. Additional directional controls
 - Foot Operated Directional Control (FODC)
 - Dual pedal
23. Single or double accy hydraulic functions
24. Hydraulic quick disconnects
25. 5th function hydraulics
26. Rearview mirrors
27. Light packages
 - Travel light package
 - Brake, back-up, and taillight package
 - Turn signals
 - Front and rear worklights - LED
28. Floor spot lights
29. Flashing lights
30. Floor line lights
31. Travel alarms
32. WorkAssist Options
 - Clip Pad and Hook
 - Clip Pad
 - Hook
 - Accessory Clamp
 - Accessory Clamp and Mounting Plate
 - Pockets
 - Organization kits
 - Rear storage bin

33. Productivity Options
 - InfoLink Ready
 - Tilt position assist
 - Traction motor cooling fan
34. Miscellaneous Options
 - Accessory Cable
 - Rear mud flaps
 - Interior dome light
35. Environmental Packages
 - Freezer package
 - EE Rating

Warning Device Options

- Audible or Visual Alerts
Safety considerations and dangers associated with audible travel alarms and lights include:
- Multiple alarms and/or lights can cause confusion.
 - Workers ignore the alarms and/or lights after day-in and day-out exposure.
 - Operator may transfer the responsibility for "looking out" to the pedestrians.
 - Annoys operators and pedestrians.



crown.com

You can count on Crown to build lift trucks designed for safe operation, but that's only part of the safety equation. Crown encourages safe operating practices through ongoing operator training, safety-focused supervision, maintenance and a safe working environment. Go to crown.com and view our safety section to learn more.

Because Crown is continually improving its products, specifications are subject to change without notice.

Crown, the Crown logo, the color beige, the Momentum symbol, Access 1 2 3, InfoPoint, e-GEN, Intrinsic Stability System, InfoLink, V-Force and Work Assist are trademarks of Crown Equipment Corporation.

Copyright 2016-2024 Crown Equipment Corporation
SF19394 Rev. 05-24
Printed in U.S.A.