

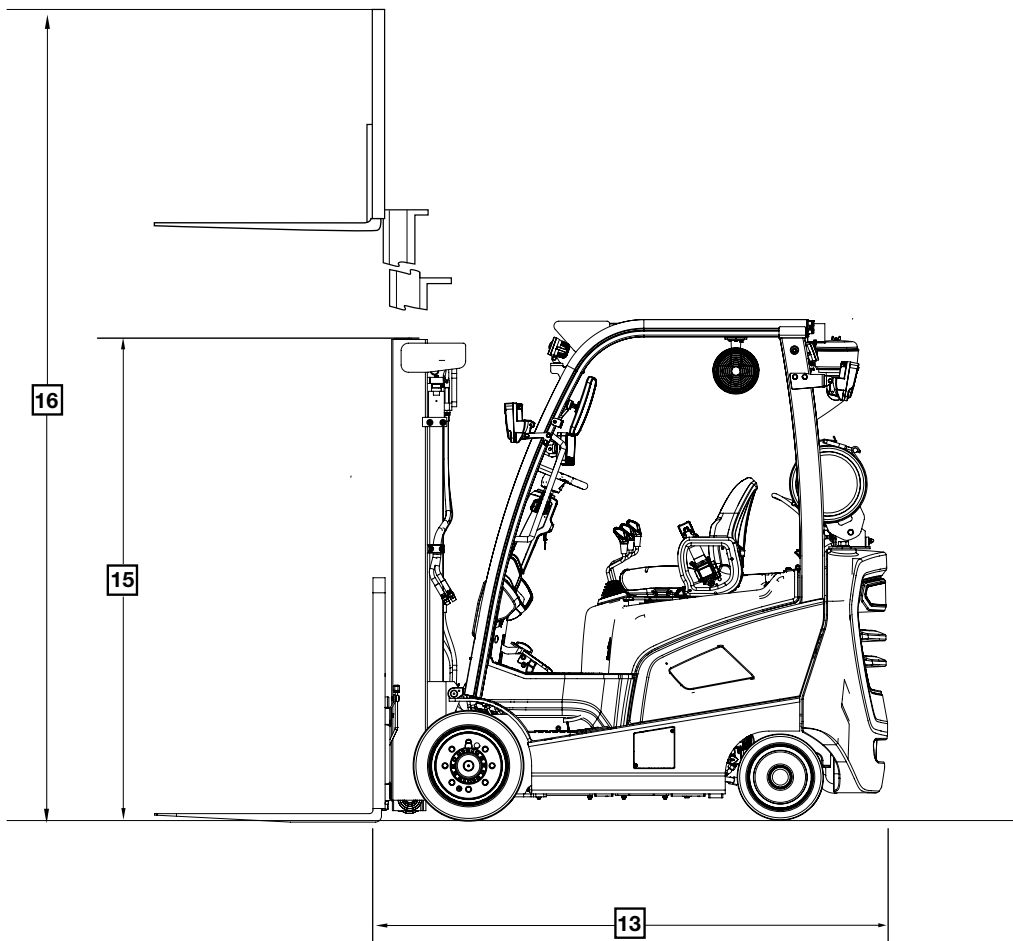
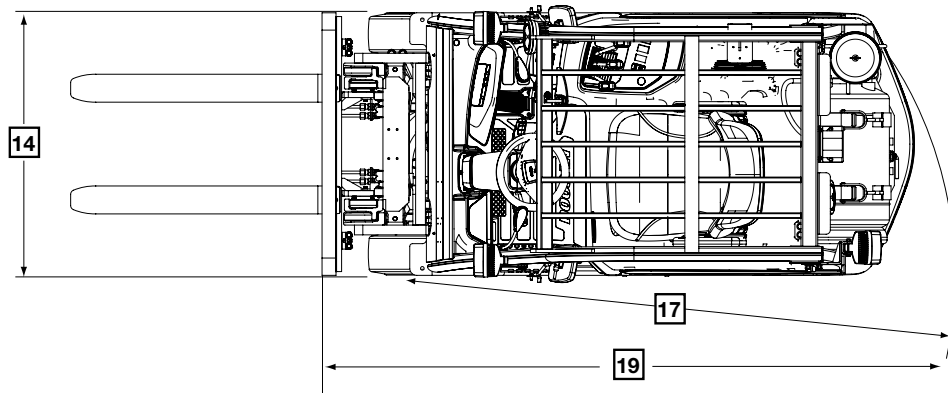
**CROWN**

**C-G**

**3,000-4,000 lb Capacity**  
LPG Cushion Tire

**Specifications**





**C-G Series**

**Specifications**

<b>Characteristics</b>	1	<b>Model</b>		<b>CGC15S-9</b>	<b>CGC18S-9</b>	<b>CGC20SC-9</b>		
	2	<b>Load Capacity</b>	At Rated Load Center	lb (kg)	3,000 (1,340)	3,500 (1,560)	4,000 (1,785)	
	3	<b>Load Center</b>	Fork Face to Load CG	in (mm)	24 (600)			
	4	<b>Power Type</b>	Elec, Diesel, LPG, Gasoline		LPG			
	5	<b>Operator Type</b>	Sit-down					
	6	<b>Tire Type</b>	P:Pnu, E:Solid Soft, C:Cush					
	7	<b>Wheels (x = driven)</b>	Front / Rear					
	8	<b>Steering Type</b>	Hydrostatic					
	9	<b>Mast</b>	Lifting Height (MFH)	See Mast Chart				
		Free Lift Height						
<b>Dimensions</b>	10	<b>Fork Carriage</b>	ISO 2328, Class / Type A, B		II / A			
	11	<b>Forks</b>	Length x Width x Thickness	in (mm)	41x4x1.4 (1,050x100x35)			
			Optional Lengths	in (mm)	35, 39, 45, 47, 53 (889, 991, 1143, 1194, 1346)		35, 39, 45, 47 (889, 991, 1143, 1194)	
	12	<b>Tilt of Mast</b>	Forward / Backward		6 / 8			
	13	<b>Headlength</b>	Length to Fork Face	in (mm)	82.8 (2,102)	83.6 (2,123)	85.7 (2,178)	
	14	<b>Overall Width</b>	in (mm)				37.0 (940)	
	15	<b>Mast Collapsed Ht.</b>	Mast Lowered Height		See Mast Chart			
	16	<b>Mast Extended Ht.</b>	With Load Backrest					
	17	<b>Turning Radius</b>	Minimum Outside	in (mm)	71.9 (1,826)	73.5 (1,867)	74.4 (1,891)	
	18	<b>Load Distance</b>	Center of Drive Axle to Fork Face	in (mm)	15.5 (394)		15.7 (399)	
19	<b>Aisle Width</b>	Right Angle Stack (L = 48" x W = 40")	in (mm)	127.6 (3,242)	129.3 (3,284)	130.5 (3,314)		
<b>Performance</b>	20	<b>Travel Speed</b>	Loaded / Unloaded	mph (km/h)	11.1 / 11.1 (17.8 / 17.8)			
	21	<b>Lifting Speed</b>	Loaded / Unloaded	fpm (m/s)	126 / 130 (0.64 / 0.66)	124 / 130 (0.63 / 0.66)	122 / 130 (0.62 / 0.66)	
	22	<b>Lowering Speed</b>	Loaded / Unloaded	fpm (m/s)	100.4 / 98.4 (0.51 / 0.50)			
	23	<b>Drawbar Pull @ 1 mph</b>	Loaded / Unloaded	lb (kg)	3,196 (1,450)			
	24	<b>Drawbar Pull Max.</b>	Loaded / Unloaded	lb (kg)	3,636 (1,649)			
	25	<b>Gradeability @ 1 mph</b>	Loaded / Unloaded	%	38.5 / 69.4	33.0 / 60.1	31.0 / 56.1	
	26	<b>Gradeability Max.</b>	Loaded / Unloaded	%	46.8 / 90.1	39.8 / 76.0	36.5 / 70.3	
<b>Weight</b>	27	<b>Vehicle Weight</b>			lb (kg)	6,038 (2,739)	6,460 (2,930)	6,903 (3,131)
	28	<b>Axle Load</b>	Loaded, Front / Rear	lb (kg)	7,529 / 1,462 (3,415 / 663)	8,393 / 1,504 (3,807 / 682)	9,292 / 1,545 (4,215 / 701)	
	29		Unloaded, Front / Rear	lb (kg)	2,266 / 3,770 (1,028 / 1,710)	2,266 / 4,191 (1,028 / 1,901)	2,266 / 4,634 (1,028 / 2,102)	
<b>Chassis</b>	30	<b>Tire Size - Front</b>	OD x Width x Rim Dia.		in	18 x 6 x 12.12		
	31	<b>Tire Size - Rear</b>	OD x Width x Rim Dia.		in	14 x 5 x 10		
	32	<b>Wheelbase</b>	Distance		in (mm)	50.6 (1,285)		
	34	<b>Tread / Track Width</b>	Front / Rear		in (mm)	31 / 32 (786 / 814)		
	35	<b>Ground Clearance</b>	Loaded at the lowest point	in (mm)	3.0 (75)			
	36		Loaded at center of wheelbase	in (mm)	4.1 (105)			
	37	<b>Brakes</b>	Service		Foot / Hydraulic			
	38		Parking		Electro-mechanical			
<b>Powertrain</b>	39	<b>Battery</b>	Voltage / Ampere		V/AH	12 / 45		
	40	<b>Engine</b>	Manufacturer / Model		GCT / GK25L			
	41		Rated Power (SAE Gross)	HP/rpm	50.6 / 2,450			
				kW/rpm	37.7 / 2,450			
	42		Maximum Torque (SAE)	lb_ft/rpm	109.3 / 1,800			
				N-m/rpm	148.2 / 1,800			
	43		Cylinders / Displacements	Liters	4 / 2.5L			
	44	<b>Transmission</b>	Type	Powershift				
		Number of Speeds (Fwd / Rev)	1 / 1					
45	<b>Hydraulic Pressure</b>	System	psi (bar)	2,550 (176)	2,880 (198)	3,125 (215)		
		Attachment	psi (bar)	2,040 (140)				
46	<b>Attachments</b>	Oil Volume	gpm (lpm)	6 (23)				

# C-G Series

# Specifications

## Forks Only with 14 x 5 x 10 Rear Tires

Truck Capacity at Height at 24 in (600 mm) Horizontal Load Center

Mast Type	Maximum Fork Height		Maximum Lowered Height		Fully Extended Height		Free Lift		Tilt Angle		Rated Load Capacities					
	in	mm	in	mm	in	mm	in	mm	deg	deg	CGC15S-9		CGC18S-9		CGC20SC-9	
	in	mm	in	mm	in	mm	in	mm	deg	deg	lb	kg	lb	kg	lb	kg
TL	118	3000	78	1980	159	4045	5	130	6	8	2,976	1350	3,472	1575	3,968	1800
	130	3300	84	2130	171	4345	5	130	6	8	2,976	1350	3,472	1575	3,968	1800
	146	3700	92	2330	187	4745	5	130	6	8	2,976	1350	3,472	1575	3,968	1800
TF	118	3000	78	1980	159	4045	38.4	975	6	8	2,976	1350	3,472	1575	3,968	1800
	130	3300	84	2130	171	4345	44.3	1125	6	8	2,976	1350	3,472	1575	3,968	1800
TT	157	4000	73.2	1860	198.8	5050	34	855	6	5	2,976	1350	3,472	1575	3,968	1800
	177	4500	79.7	2025	218.3	5545	40	1020	6	5	2,965	1345	3,450	1565	3,505	1590
	187	4750	83.1	2110	228.1	5795	44	1105	6	5	2,954	1340	3,395	1540	3,439	1560
	197	5000	87.6	2225	238	6045	48	1220	6	5	2,888	1310	2,987	1355	3,086	1400
	216	5500	96.9	2460	257.9	6550	57	1455	6	5	1,895	860	2,094	950	2,733	1240
	236	6000	103.3	2625	277.4	7045	64	1620	6	5	1,256	570	1,940	880	1,884	855

## Forks Only with 16 x 5 x 10 Rear Tires

Truck Capacity at Height at 24 in (600 mm) Horizontal Load Center

Mast Type	Maximum Fork Height		Maximum Lowered Height		Fully Extended Height		Free Lift		Tilt Angle		Rated Load Capacities					
	in	mm	in	mm	in	mm	in	mm	deg	deg	CGC15S-9		CGC18S-9		CGC20SC-9	
	in	mm	in	mm	in	mm	in	mm	deg	deg	lb	kg	lb	kg	lb	kg
TL	118	3000	78	1980	159	4045	5	130	6	8	2,976	1350	3,472	1575	3,968	1800
	130	3300	84	2130	171	4345	5	130	6	8	2,976	1350	3,472	1575	3,968	1800
	146	3700	92	2330	187	4745	5	130	6	8	2,976	1350	3,472	1575	3,968	1800
TF	118	3000	78	1980	159	4045	38.4	975	6	8	2,976	1350	3,472	1575	3,968	1800
	130	3300	84	2130	171	4345	44.3	1125	6	8	2,976	1350	3,472	1575	3,968	1800
TT	157	4000	73.2	1860	198.8	5050	34	855	6	5	2,976	1350	3,472	1575	3,769	1710
	177	4500	79.7	2025	218.3	5545	40	1020	6	5	2,965	1345	3,450	1565	3,604	1635
	187	4750	83.1	2110	228.1	5795	44	1105	6	5	2,954	1340	3,395	1540	3,494	1585
	197	5000	87.6	2225	238	6045	48	1220	6	5	2,943	1335	2,987	1355	3,428	1555
	216	5500	96.9	2460	257.9	6550	57	1455	6	5	2,292	1040	2,480	1125	3,218	1460
	236	6000	103.3	2625	277.4	7045	64	1620	6	5	1,499	680	2,325	1055	2,226	1010

## Hang-on Sideshifter with 14 x 5 x 10 Rear Tires

Truck Capacity at Height at 24 in (600 mm) Horizontal Load Center

Mast Type	Maximum Fork Height		Maximum Lowered Height		Fully Extended Height		Free Lift		Tilt Angle		Rated Load Capacities					
	in	mm	in	mm	in	mm	in	mm	deg	deg	CGC15S-9		CGC18S-9		CGC20SC-9	
	in	mm	in	mm	in	mm	in	mm	deg	deg	lb	kg	lb	kg	lb	kg
TL	118	3000	78	1980	159	4045	5	130	6	8	2,766	1255	3,240	1470	3,714	1685
	130	3300	84	2130	171	4345	5	130	6	8	2,766	1255	3,240	1470	3,714	1685
	146	3700	92	2330	187	4745	5	130	6	8	2,766	1255	3,240	1470	3,714	1685
TF	118	3000	78	1980	159	4045	38.4	975	6	8	2,766	1255	3,240	1470	3,714	1685
	130	3300	84	2130	171	4345	44.3	1125	6	8	2,766	1255	3,240	1470	3,714	1685
TT	157	4000	73.2	1860	198.8	5050	34	855	6	5	2,766	1255	3,240	1470	3,714	1685
	177	4500	79.7	2025	218.3	5545	40	1020	6	5	2,755	1250	3,218	1460	3,262	1480
	187	4750	83.1	2110	228.1	5795	44	1105	6	5	2,744	1245	3,163	1435	3,207	1455
	197	5000	87.6	2225	238	6045	48	1220	6	5	2,689	1220	2,777	1260	2,877	1305
	216	5500	96.9	2460	257.9	6550	57	1455	6	5	1,741	790	1,929	875	2,535	1150
	236	6000	103.3	2625	277.4	7045	64	1620	6	5	1,135	515	1,774	805	1,730	785

# C-G Series

# Specifications

## Hang-on Sideshifter with 16 x 5 x 10 Rear Tires

Truck Capacity at Height at 24 in (600 mm) Horizontal Load Center

Mast Type	Maximum Fork Height		Maximum Lowered Height		Fully Extended Height		Free Lift		Tilt Angle		Rated Load Capacities					
	in	mm	in	mm	With Load Backrest		With Load Backrest		FWD	BWD	CGC15S-9		CGC18S-9		CGC20SC-9	
	in	mm	in	mm	in	mm	in	mm	deg	deg	lb	kg	lb	kg	lb	kg
TL	118	3000	78	1980	159	4045	5	130	6	8	2,766	1255	3,240	1470	3,714	1685
	130	3300	84	2130	171	4345	5	130	6	8	2,766	1255	3,240	1470	3,714	1685
	146	3700	92	2330	187	4745	5	130	6	8	2,766	1255	3,240	1470	3,714	1685
TF	118	3000	78	1980	159	4045	38.4	975	6	8	2,766	1255	3,240	1470	3,714	1685
	130	3300	84	2130	171	4345	44.3	1125	6	8	2,766	1255	3,240	1470	3,714	1685
TT	157	4000	73.2	1860	198.8	5050	34	855	6	5	2,766	1255	3,240	1470	3,527	1600
	177	4500	79.7	2025	218.3	5545	40	1020	6	5	2,755	1250	3,218	1460	3,362	1525
	187	4750	83.1	2110	228.1	5795	44	1105	6	5	2,744	1245	3,163	1435	3,251	1475
	197	5000	87.6	2225	238	6045	48	1220	6	5	2,733	1240	2,777	1260	3,196	1450
	216	5500	96.9	2460	257.9	6550	57	1455	6	5	2,116	960	2,303	1045	2,998	1360
	236	6000	103.3	2625	277.4	7045	64	1620	6	5	1,366	620	2,149	975	2,061	935

## Integral Sideshifter with 14 x 5 x 10 Rear Tires

Truck Capacity at Height at 24 in (600 mm) Horizontal Load Center

Mast Type	Maximum Fork Height		Maximum Lowered Height		Fully Extended Height		Free Lift		Tilt Angle		Rated Load Capacities					
	in	mm	in	mm	With Load Backrest		With Load Backrest		FWD	BWD	CGC15S-9		CGC18S-9		CGC20SC-9	
	in	mm	in	mm	in	mm	in	mm	deg	deg	lb	kg	lb	kg	lb	kg
TL	118	3000	78	1980	159	4045	5	130	6	8	2,843	1290	3,317	1505	3,802	1725
	130	3300	84	2130	171	4345	5	130	6	8	2,843	1290	3,317	1505	3,802	1725
	146	3700	92	2330	187	4745	5	130	6	8	2,843	1290	3,317	1505	3,802	1725
TF	118	3000	78	1980	159	4045	38.4	975	6	8	2,843	1290	3,317	1505	3,802	1725
	130	3300	84	2130	171	4345	44.3	1125	6	8	2,843	1290	3,317	1505	3,802	1725
TT	157	4000	73.2	1860	198.8	5050	34	855	6	5	2,843	1290	3,317	1505	3,802	1725
	177	4500	79.7	2025	218.3	5545	40	1020	6	5	2,821	1280	3,295	1495	3,351	1520
	187	4750	83.1	2110	228.1	5795	44	1105	6	5	2,810	1275	3,240	1470	3,284	1490
	197	5000	87.6	2225	238	6045	48	1220	6	5	2,755	1250	2,854	1295	2,943	1335
	216	5500	96.9	2460	257.9	6550	57	1455	6	5	1,796	815	1,984	900	2,601	1180
	236	6000	103.3	2625	277.4	7045	64	1620	6	5	1,179	535	1,829	830	1,785	810

## Integral Sideshifter with 16 x 5 x 10 Rear Tires

Truck Capacity at Height at 24 in (600 mm) Horizontal Load Center

Mast Type	Maximum Fork Height		Maximum Lowered Height		Fully Extended Height		Free Lift		Tilt Angle		Rated Load Capacities					
	in	mm	in	mm	With Load Backrest		With Load Backrest		FWD	BWD	CGC15S-9		CGC18S-9		CGC20SC-9	
	in	mm	in	mm	in	mm	in	mm	deg	deg	lb	kg	lb	kg	lb	kg
TL	118	3000	78	1980	159	4045	5	130	6	8	2,843	1,290	3,317	1505	3,802	1725
	130	3300	84	2130	171	4345	5	130	6	8	2,843	1,290	3,317	1505	3,802	1725
	146	3700	92	2330	187	4745	5	130	6	8	2,843	1,290	3,317	1505	3,802	1725
TF	118	3000	78	1980	159	4045	38.4	975	6	8	2,843	1,290	3,317	1505	3,802	1725
	130	3300	84	2130	171	4345	44.3	1125	6	8	2,843	1,290	3,317	1505	3,802	1725
TT	157	4000	73.2	1860	198.8	5050	34	855	6	5	2,843	1,290	3,317	1505	3,604	1635
	177	4500	79.7	2025	218.3	5545	40	1020	6	5	2,821	1,280	3,295	1495	3,439	1560
	187	4750	83.1	2110	228.1	5795	44	1105	6	5	2,810	1,275	3,240	1470	3,340	1515
	197	5000	87.6	2225	238	6045	48	1220	6	5	2,799	1,270	2,854	1295	3,273	1485
	216	5500	96.9	2460	257.9	6550	57	1455	6	5	2,171	985	2,358	1070	3,064	1390
	236	6000	103.3	2625	277.4	7045	64	1620	6	5	1,410	640	2,204	1000	2,116	960

**Standard Features**

1. GCT 2.5 Liter 4 cylinder LPG engine compliant to current EPA standards
2. Heavy duty dual-core radiator with high-speed pulley
3. Cast Iron one piece drive axle housing with reinforced mast mounts
4. Oil Cooled Disc Brakes – Fully Enclosed
5. Push button electronic parking brake
6. Heavy-duty steer axle including large kingpins with tapered roller bearings
7. Operator design features
  - Wide spacious floorboard with thick rubber floormat
  - Suspension seat with hip restraint and high visibility seat belt
  - Operator Sensing System (OSS)
  - Rear travel handle with horn
  - Low front cowl/dash optimizes site lines
  - Clear view overhead guard and mast design
  - Low step height
  - Tilt steering column with small steering wheel and steer knob
  - Large dual rear view mirrors
  - Two front headlights – halogen
  - Easy to read large LED display
  - Two USB ports

**Optional Equipment**

1. 12V power supply (relocates two USB ports to operator console)
2. Cup holder
3. Clip board
4. Operator fan
5. Fire extinguisher
6. LED light packages
7. Travel light package
8. Pre-cleaner
9. Low fuel warning light
10. Vented side panels
11. Open core radiator
12. Panoramic mirror
13. Single and double hydraulic quick disconnects
14. Weight scale
15. Inversion control with ground speed control
16. UL rated LP to LPS
17. Floor spot light (blue light)
18. InfoLink® Ready
19. Belly pan
20. Radiator screen
21. Polycarbonate top cover
22. Keyless ignition

**Warning Device Options**

- Audible or Visual Alerts
- Safety considerations and dangers associated with audible travel alarms and lights include:
- Multiple alarms and/or lights can cause confusion.
  - Workers ignore the alarms and/or lights after day-in and day-out exposure.
  - Operator may transfer the responsibility for “looking out” to the pedestrians.
  - Annoys operators and pedestrians.

**Other Options Available**

Contact factory for additional options.

*Dimensions and performance data given may vary due to manufacturing tolerances. Performance is based on an average size vehicle and is affected by weight, condition of vehicle, how it is equipped and the conditions of the operating area. Products and specifications are subject to change without notice.*



**crown.com**

**You can count on Crown to sell lift trucks designed for safe operation, but that's only part of the safety equation. Crown encourages safe operating practices through ongoing operator training, safety-focused supervision, maintenance and a safe working environment. Go to [crown.com](https://crown.com) and view our safety section to learn more.**

Because Crown is continually improving its products, specifications are subject to change without notice.

Crown, the Crown logo, the color beige, the Momentum symbol, and InfoLink are trademarks of Crown Equipment Corporation in the United States and other countries.

Copyright 2020-2023 Crown Equipment Corporation  
SF20213 Rev. 04-23  
Printed in U.S.A.