

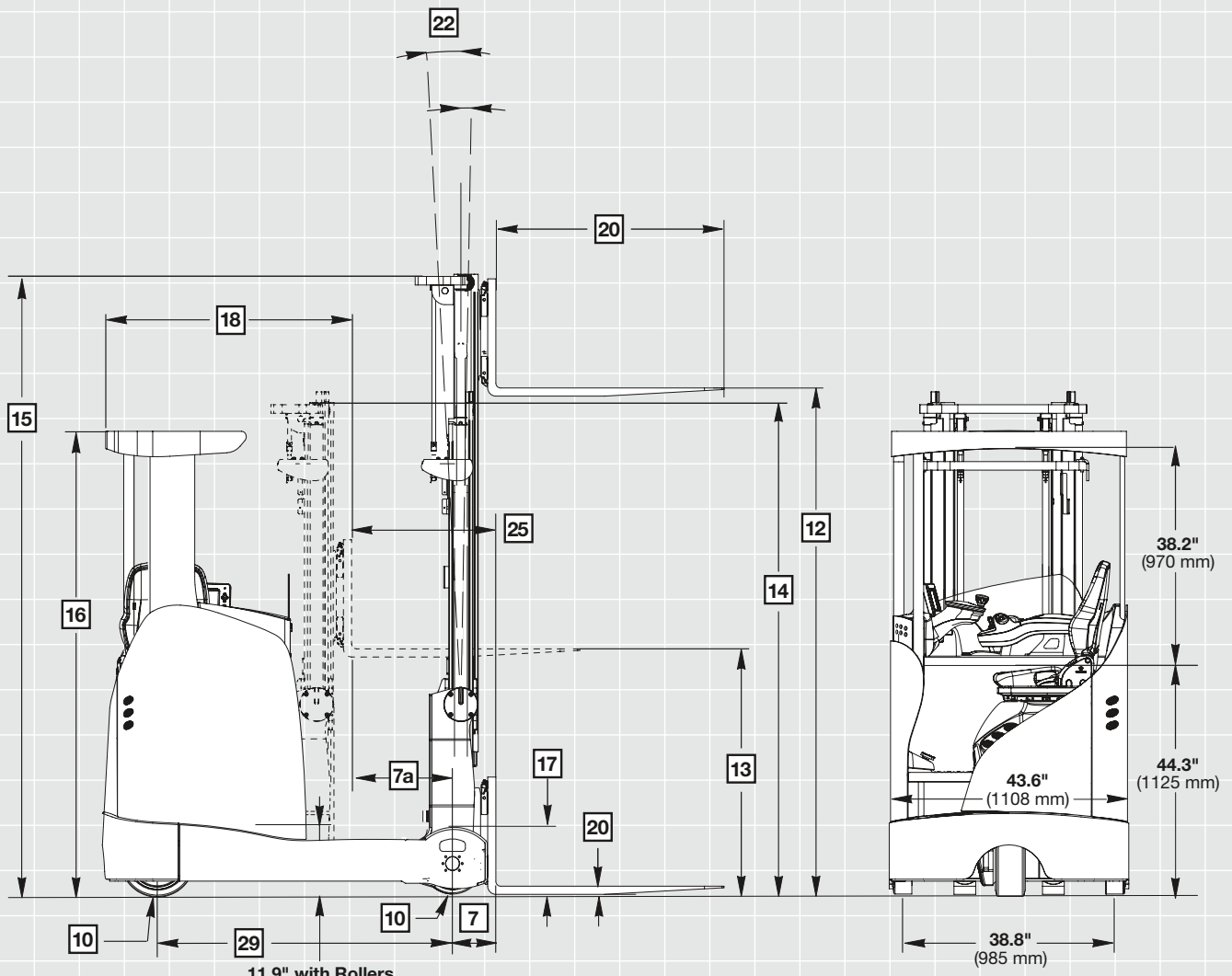
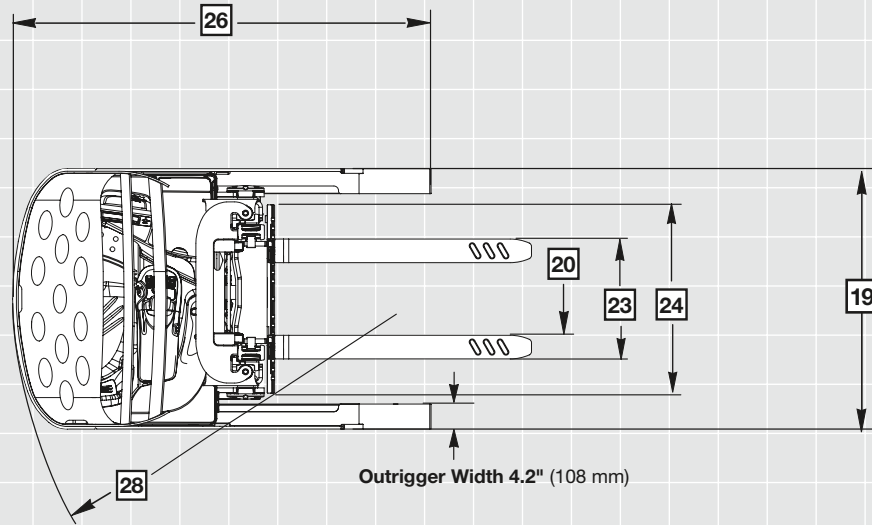
**CROWN**

# ESR 1200 SERIES

## Specifications

Moving Mast Reach Truck





**11.9" with Rollers**  
(303 mm)  
**11.5" without Rollers**  
(292 mm)  
**Battery Floor Height**

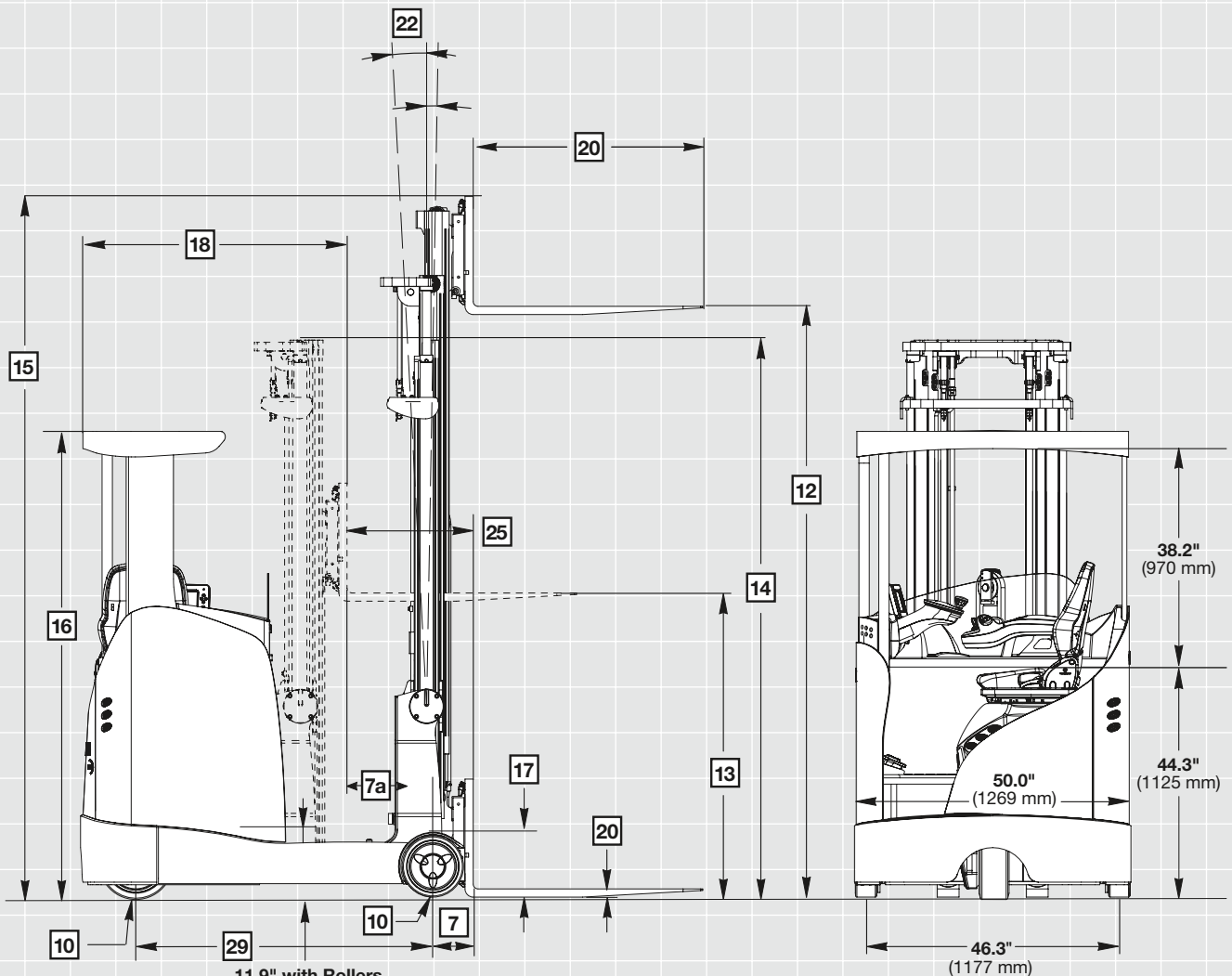
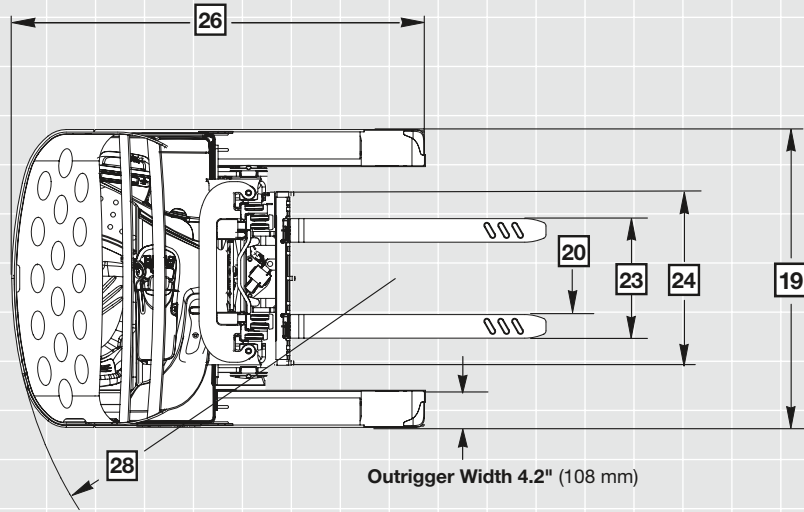
# ESR 1220 Series

# Specifications

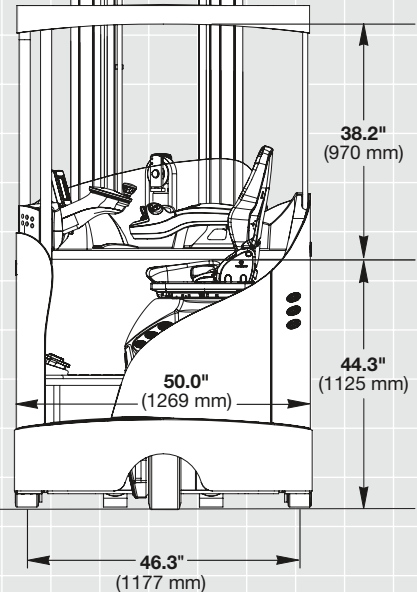
			Imperial	Metric	Imperial	Metric		
General	1	Manufacturer	Crown Equipment Corporation					
	2	Model	ESR 1220-30		ESR 1220-35			
	3	Load Capacity	lb kg	3,000	1400	3,500	1600	
	4	Load Center	Fork face to load CG	in mm	24	600	24	600
	5	Power	Electric					
	6	Operator Type	48 Volts					
	7/7a	Load Distance	Extended/Retracted	in mm	7.95/Battery Chart	202/Battery Chart	7.95/Battery Chart	202/Battery Chart
	8	Wheels (x = driven)	Number Front/Rear					
	9	Tire Type	1x/2					
	10	Tires	Size - Drive/Caster	in mm	13.5x4.5, 11.2x3.2	343x114, 285x80	13.5x4.5, 11.2x3.2	343x114, 285x80
11	Truck Weight	Less Battery	lb kg	4,090*	1855*	4,090*	1855*	
Dimensions	12	Lift Height	Max Fork Height	in mm	See Mast Chart			
	13	Free Lift Height	w/o Load Backrest	in mm				
	14	Overall Collapsed Height		in mm				
	15	Overall Extended Height	w/o Load Backrest	in mm				
	16	Overhead Guard Height		in mm	85.6	2175	85.6	2175
	17	Outrigger Height		in mm	12.3	312	12.3	312
	18	Head Length		in mm	See Battery Chart			
	19	Overall Width		in mm	44.1	1120	44.1	1120
	20	Fork	Standard L x W x T	in mm	39x4x1.5	990x102x38	39x4x1.75	990x102x38
			Optional Lengths	in mm	31.5,42,45,48	800,1065,1145, 1220	31.5,42,48,48	800,1065,1145, 1220
	21	Sideshift	Left/Right	in mm	2	50	2	50
	22	Mast/Carriage Tilt	Forward/Backward	degree	See Mast Chart			
	23	Width Across Forks	Max	in mm	27.4	695	27.4	695
	24	Fork Carriage Width	with Sideshift	in mm	30.3	770	30.3	770
25	Reach		in mm	See Battery Chart				
26	Length Over Outriggers		in mm	70.9	1800	74.6	1895	
27	Ground Clearance		in mm	3	76	3	76	
28	Turning Radius		in mm	64.5	1638	64.5	1638	
29	Wheelbase (Standard Wheel)		in mm	54.3	1380	54.3	1380	
Performance	30	Speed Travel**	Empty/Loaded	mph km/h	6.2	10.0	6.2	10
	31	Speed Lift	Empty	fpm m/s	118	0.6	118	0.6
			Loaded	fpm m/s	79	0.4	79	0.4
	32	Speed Lower	Empty	fpm m/s	98	0.5	98	0.5
			Loaded	fpm m/s	98	0.5	98	0.5
33	Max Gradeability	w/wo Load	%	12/12				
34	Brakes	Regen/Load Wheel Brake		Tilting Mast: Regen/No Tilting Carriage: Regen/2x		Tilting Mast: Regen/No Tilting Carriage: Regen/2x		
Battery	35	Battery Type	Lead Acid					
	36	Max Amp	Ah	930				
	37	Max Battery Size LxWxH	in mm	See Battery Chart				

\* TL Mast 109" (2760 mm) + Option 5 Battery Tray

\*\* 5.6 mph (9.0 km/h) in fork direction



11.9" with Rollers  
(303 mm)  
11.5" without Rollers  
(292 mm)  
Battery Floor Height



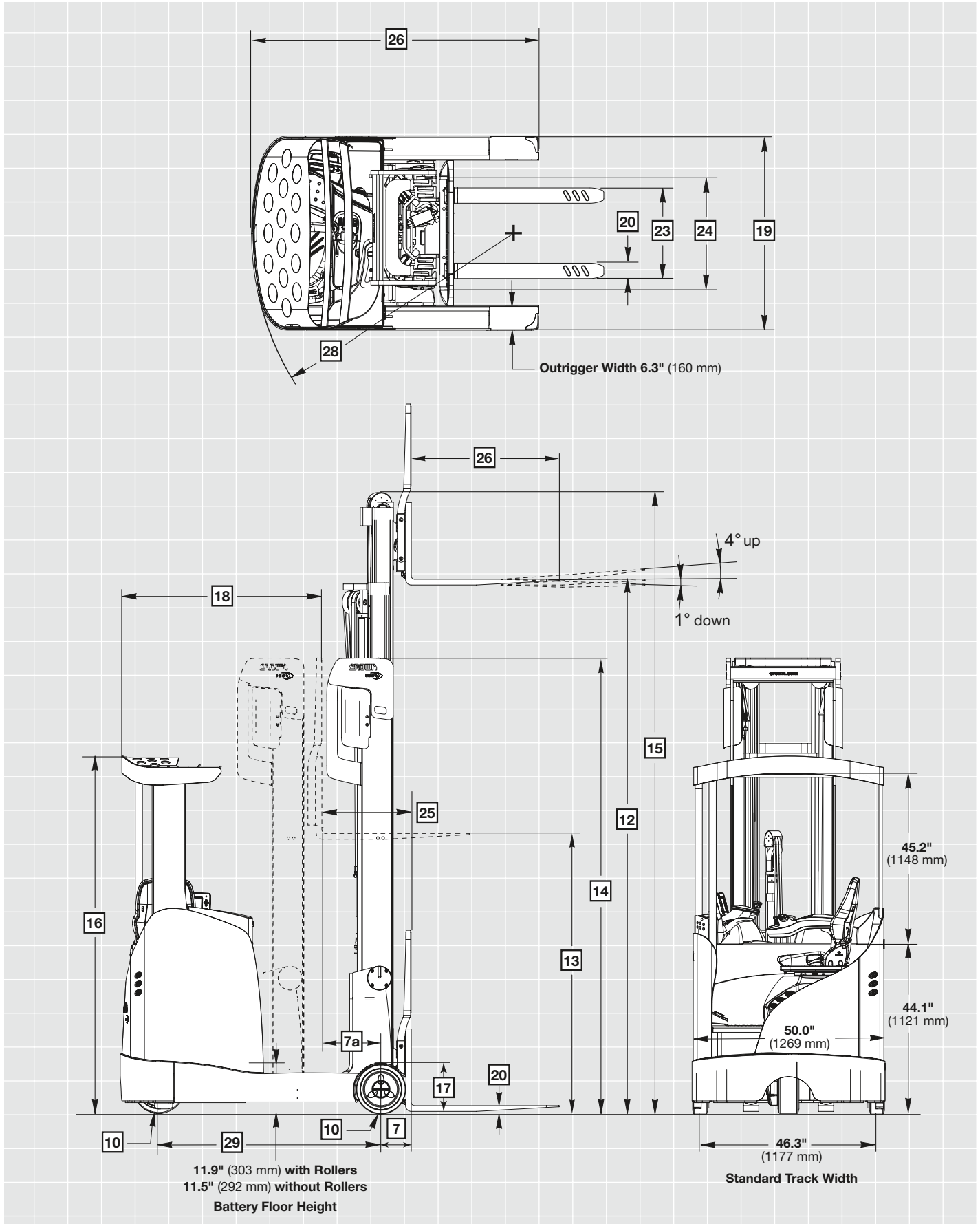
# ESR 1240 Series

# Specifications

			Imperial	Metric	Imperial	Metric	Imperial	Metric		
<b>General</b>	1	<b>Manufacturer</b>	Crown Equipment Corporation							
	2	<b>Model</b>	ESR 1240-30		ESR 1240-35		ESR 1240-45			
	3	<b>Load Capacity</b>	lb kg	3,000	1400	3,500	1600	4,500	2000	
	4	<b>Load Center</b>	Fork face to load CG	in mm	24	600	24	600	24	600
	5	<b>Power</b>	Electric							
	6	<b>Operator Type</b>	48 Volts							
	7/7a	<b>Load Distance</b>	Extended/Retracted	in mm	7.95/Battery Chart	202/Battery Chart	7.95/Battery Chart	202/Battery Chart	7.95/Battery Chart	202/Battery Chart
	8	<b>Wheels (x = driven)</b>	Number Front/Rear							
	9	<b>Tire Type</b>	1x/2							
	10	<b>Tires</b>	Size - Drive/Caster	in mm	13.5x4.5, 11.2x3.9	343x114, 285x80	13.5x4.5, 11.2x3.2	343x114, 285x80	13.5x4.5, 11.2x3.2	343x114, 285x80
11	<b>Truck Weight</b>	Less Battery	lb kg	4,530*	2055*	4,530*	2055*	5,867*	2661*	
<b>Dimensions</b>	12	<b>Lift Height</b>	Max Fork Height	in mm	See Mast Chart					
	13	<b>Free Lift Height</b>	w/o Load Backrest	in mm						
	14	<b>Overall Collapsed Height</b>		in mm						
	15	<b>Overall Extended Height</b>	w/o Load Backrest	in mm						
	16	<b>Overhead Guard Height</b>		in mm	85.6	2175	85.6	2175	85.6	2175
	17	<b>Outrigger Height</b>		in mm	11.9	301	11.9	301	13.6	346
	18	<b>Head Length</b>		in mm	See Battery Chart					
	19	<b>Overall Width</b>		in mm	50.6	1285	50.6	1285	50.6	1285
	20	<b>Fork</b>	Standard L x W x T	in mm	39x4x1.5	990x102x38	39x4x1.5	990x102x38	39x4x1.5	990x102x38
			Optional Lengths	in mm	31.5,42, 48,48	800,1065, 1145,1220	31.5,42, 48,48	800,1065, 1145,1220	31.5,42, 48,48	800,1065, 1145,1220
	21	<b>Sideshift</b>	Left/Right	in mm	2	50	2	50	2	50
	22	<b>Mast/Carriage Tilt</b>	Forward/Backward	degree	See Mast Chart					
	23	<b>Width Across Forks</b>	Max	in mm	27.4	695	27.4	695	27.4	695
24	<b>Fork Carriage Width</b>	with Sideshift	in mm	30.3	770	30.3	770	30.3	770	
25	<b>Reach</b>		in mm	See Battery Chart						
26	<b>Length Over Outriggers</b>		in mm	70.3	1785	74.1	1880	74.1	1880	
27	<b>Ground Clearance</b>		in mm	3	76	3	76	3	76	
28	<b>Turning Radius</b>		in mm	64.8	1645	68.5	1740	68.5	1740	
29	<b>Wheelbase (Standard Wheel)</b>		in mm	54.3	1380	58.1	1475	58.1	1475	
<b>Performance</b>	30	<b>Speed Travel**</b>	Empty/Loaded	mph km/h	6.2	10	6.2	10	8.7	14
	31	<b>Speed Lift</b>	Empty	fpm m/s	118	0.6	118	0.6	118	0.6
			Loaded	fpm m/s	79	0.4	79	0.4	79	0.4
	32	<b>Speed Lower</b>	Empty	fpm m/s	98	0.5	98	0.5	98	0.5
			Loaded	fpm m/s	98	0.5	98	0.5	98	0.5
33	<b>Max Gradeability</b>	w/wo Load	%	12/12						
34	<b>Brakes</b>	Regen/Load Wheel Brake		Regen/No		Regen/1x				
<b>Battery</b>	35	<b>Battery Type</b>	Lead Acid							
	36	<b>Max Amp</b>	Ah	775						
	37	<b>Max Battery Size LxWxH</b>	in mm	See Battery Chart						

\* TL Mast 109" (2760 mm) + Option 5 Battery Tray

\*\* 5.6 mph (9.0 km/h) in fork direction



**ESR 1260 Series**

**Specifications**

			Imperial	Metric	Imperial	Metric	Imperial	Metric		
<b>General</b>	1	<b>Manufacturer</b>	<b>Crown Equipment Corporation</b>							
	2	<b>Model</b>	<b>ESR 1260-30</b>		<b>ESR 1260-35</b>		<b>ESR 1260-45</b>			
	3	<b>Load Capacity</b>	lb kg	3,000	1400	3,500	1600	4,500	2000	
	4	<b>Load Center</b>	Fork face to load CG	in mm	24	600	24	600	24	600
	5	<b>Power</b>	Electric							
	6	<b>Operator Type</b>	Sit Down							
	7/7a	<b>Load Distance</b>	Extended/Retracted	in mm	7.4/Battery Chart	187/Battery Chart	8.5/Battery Chart	217/Battery Chart	8.5/Battery Chart	217/Battery Chart
	8	<b>Wheels (x = driven)</b>	Number Front/Rear							
	9	<b>Tire Type</b>	Poly							
	10	<b>Tires</b>	Size - Drive/Caster	in mm	13.5x5.5, 11.2x3.9	343x140, 285x80	13.5x5.5, 11.2x3.9	343x140, 285x100	13.5x5.5, 11.2x3.9	343x140, 285x100
11	<b>Truck Weight</b>	Less Battery	lb kg	5,587*	2534*	5,637*	2557*	5,637*	2557*	
<b>Dimensions</b>	12	<b>Lift Height</b>	Max Fork Height	in mm	See Mast Chart					
	13	<b>Free Lift Height</b>	w/o Load Backrest	in mm						
	14	<b>Overall Collapsed Height</b>		in mm						
	15	<b>Overall Extended Height</b>	w/o Load Backrest	in mm						
	16	<b>Overhead Guard Height†</b>		in mm	85.6, 93.5, 100.6	2175, 2375, 2554	85.6, 93.5, 100.6	2175, 2375, 2554	85.6, 93.5, 100.6	2175, 2375, 2554
	17	<b>Outrigger Height</b>		in mm	11.9	301	13.6	346	13.6	346
	18	<b>Head Length</b>		in mm	See Battery Chart					
	19	<b>Overall Width</b>		in mm	See Table 1					
	20	<b>Fork</b>	Standard L x W x T	in mm	39x4x1.5	990x102x38	39x4x1.75	990x102x45	39x4x1.75	990x102x45
			Optional Lengths	in mm	31.5,42, 48,48	800,1065, 1145,1220	31.5,42, 45,48	800,1065, 1145,1220	31.5,42, 45,48	800,1065, 1145,1220
	21	<b>Sideshift</b>	Left/Right	in mm	See Chassis Frame Chart					
	22	<b>Mast/Carriage Tilt</b>	Forward/Backward	degree	2/4					
	23	<b>Width Across Forks</b>	Max	in mm	See Chassis Frame Chart					
	24	<b>Fork Carriage Width</b>	wi/wo Load Backrest	in mm	30.3/29.5	770/750	30.3/29.5	770/750	30.3/29.5	770/750
25	<b>Reach</b>		in mm	See Battery Chart						
26	<b>Length Over Outriggers</b>		in mm	70.3	1785	74.9	1903	74.9	1903	
27	<b>Ground Clearance</b>		in mm	3	76	3	76	3	76	
28	<b>Turning Radius</b>		in mm	64.8	1645	68.3	1734	68.3	1734	
29	<b>Wheelbase (Standard Wheel)</b>		in mm	54.3	1380	58.1	1475	58.1	1475	
<b>Performance</b>	30	<b>Speed Travel**</b>	Empty/Loaded	mph km/h	6.2	10	8.7	14	8.7	14
	31	<b>Speed Lift</b>	Empty	fpm m/s	118	0.6	157	0.8	140	0.71
			Loaded	fpm m/s	79	0.4	114	0.58	116	0.59
	32	<b>Speed Lower</b>	Empty	fpm m/s	98	0.5	112	0.57	112	0.57
			Loaded	fpm m/s	98	0.5	112	0.57	112	0.57
	32a	<b>Xpress Lower Speed</b>	Empty	fpm m/s	217	1.1	217	1.1	217	1.1
			Loaded	fpm m/s	217	1.1	217	1.1	217	1.1
33	<b>Max Gradeability</b>	w/wo Load	%	12/12						
34	<b>Brakes</b>	Regen/Load Wheel Brake		Regen/2x						
<b>Battery</b>	35	<b>Battery Type</b>	Lead Acid							
	36	<b>Max Amp</b>	Ah	1,085						
	37	<b>Max Battery Size LxWxH</b>	in mm	See Battery Chart						

\* TT 4-Roller Mast 192" (4890 mm) + Option 1 Battery Tray  
 \*\* RR 6-Roller Mast 181" (4595 mm) + Option 2 Battery Tray  
 † Panoramic Overhead Guard Height Option is 90.6" (2300 mm)

# ESR 1200 Series

# Specifications

Battery Chart ESR 1220											
Battery Option		Option 5		Option 6		Option 7		Option 8			
<b>Dimensions</b>	<b>Battery Weight Min-Max</b>	lb kg	1,193-1,360	541-617	1,563-1,360	709-830	1,962-2,696	890-1223	2,343-3,056	1063-1035	
	<b>Battery Length</b>	in mm	39.9-40.75	1014-1035	39.9-40.75	1014-1035	39.9-40.75	1014-1035	39.9-40.75	1014-1035	
	<b>Max Battery Height</b>	in mm	30.9	785	30.9	785	30.9	785	30.9	785	
	<b>Battery Width</b>										
		<b>ESR 1220-30</b>	in mm	9.75-10.35	248-263	13.30-13.90	338-353	16.80-17.45	427-443	na	na
		<b>ESR 1220-35</b>	in mm	na	na	13.30-13.90	338-353	16.80-17.45	427-443	20.45-21.0	520-533
	<b>Load Distance Retracted</b>										
	7a	<b>ESR 1220-30</b>	in mm	18.6	472	15.2	387	11.7	297	na	na
	7a	<b>ESR 1220-35</b>	in mm	na	na	19	482	15.43	392	11.9	302
	<b>Head Length</b>										
	18	<b>ESR 1220-30</b>	in mm	45.9	1166	49.3	1251	52.8	1341	na	na
	18	<b>ESR 1220-35</b>	in mm	na	na	49.3	1251	52.8	1341	56.3	1431
	<b>Reach</b>										
	25	<b>ESR 1220-30</b>	in mm	26.5	674	23.2	589	19.7	499	na	na
25	<b>ESR 1220-35</b>	in mm	na	na	26.9	684	23.4	594	19.8	504	

Battery Chart ESR 1240 and ESR 1260											
Battery Option		Option 1		Option 2		Option 3		Option 4			
<b>Dimensions</b>	<b>Battery Weight Min-Max</b>	lb kg	1,572-1,781	713-808	1,965-2,218	891-1006	2,343-2,734	1063-1258	2,736-3,508	1241-1591	
	<b>Battery Length</b>	in mm	47.25-48.20	1200-1224	47.25-48.20	1200-1224	47.25-48.20	1200-1224	47.25-48.20	1200-1224	
	<b>Max Battery Height</b>	in mm	30.9	785	30.9	785	30.9	785	30.9	785	
	<b>Battery Width</b>										
		<b>ESR 1240-30</b>	in mm	10.55-11.15	268-283	13.35-14.00	339-355	16.25-16.80	412-427	na	na
		<b>ESR 1240-35</b>	in mm	10.55-11.15	268-283	13.35-14.00	339-355	16.25-16.80	412-427	na	na
		<b>ESR 1240-45</b>	in mm	10.55-11.15	268-283	13.35-14.00	339-355	16.25-16.80	412-427	na	na
		<b>ESR 1260-30</b>	in mm	10.55-11.15	268-283	13.35-14.00	339-355	16.25-16.80	412-427	na	na
		<b>ESR 1260-35</b>	in mm	10.55-11.15	268-283	13.35-14.00	339-355	16.25-16.80	412-427	19.10-19.65	485-499
		<b>ESR 1260-45</b>	in mm	na	na	13.35-14.00	339-355	16.25-16.80	412-427	19.10-19.65	485-499
	<b>Load Distance Retracted</b>										
	7a	<b>ESR 1240-30</b>	in mm	17.8	452	15.2	385	12.4	315	na	na
	7a	<b>ESR 1240-35</b>	in mm	21.5	547	18.9	480	16.1	410	na	na
	7a	<b>ESR 1240-45</b>	in mm	na	na	18.9	480	16.1	410	na	na
	7a	<b>ESR 1260-30</b>	in mm	14.1	357	11.8	300	9	228	na	na
	7a	<b>ESR 1260-35</b>	in mm	17.5	445	15.3	388	12.4	316	9.6	244
	7a	<b>ESR 1260-45</b>	in mm	na	na	15.3	388	12.4	316	9.6	244
	<b>Head Length</b>										
	18	<b>ESR 1240-30</b>	in mm	46.7	1186	49.3	1253	52.1	1323	na	na
18	<b>ESR 1240-35</b>	in mm	46.7	1186	49.3	1253	52.1	1323	na	na	
18	<b>ESR 1240-45</b>	in mm	na	na	18.9	480	16.1	410	na	na	
18	<b>ESR 1260-30</b>	in mm	14.1	357	11.8	300	9	228	na	na	
18	<b>ESR 1260-35</b>	in mm	17.5	445	15.3	388	12.4	316	9.6	244	
18	<b>ESR 1260-45</b>	in mm	na	na	15.3	388	12.4	316	9.6	244	
<b>Reach</b>											
25	<b>ESR 1240-30</b>	in mm	25.2	639	22.5	572	19.8	503	na	na	
25	<b>ESR 1240-35</b>	in mm	28.9	734	26.3	667	23.5	598	na	na	
25	<b>ESR 1240-45</b>	in mm	28.9	734	26.3	667	23.5	598	na	na	
25	<b>ESR 1260-30</b>	in mm	21.4	544	19.2	487	16.3	415	na	na	
25	<b>ESR 1260-35</b>	in mm	26.1	662	23.8	605	21	533	18.2	461	
25	<b>ESR 1260-45</b>	in mm	na	na	23.8	605	21	533	18.2	461	

Bolt-on spacer kit will be included as standard.

All ESR 1220-30 and 1240-30 models with a lift height  $\geq 313"$  (7950 mm), or 1220-35 and 1240-35 models, will have a TT mast and an integrated sideshifter, this adds 1.8"(46 mm) to load distance retracted and head length.



# ESR 1200 Series

# Specifications

Chassis Frame		ESR 1220	Standard									
		ESR 1240			Standard		Option		Option		Option	
		ESR 1260			Standard		Option		Option		Option	
	<b>Track Width Rear</b>	in mm	38.8	985	46.3	1177	45.1	1146	51.9	1317	58.1	1476
19	<b>Overall width rear - chassis bottom</b>	in mm	44.1	1120	50.6	1285	50.6	1285	56.1	1425	62	1575
	<b>Overall width rear - chassis middle section</b>	in mm	43.6	1108	50	1269	50	1269	50	1269	50	1269
24	<b>Fork Carriage</b>	in mm	29.5	750	29.5	750	29.5	750	29.5	750	38.6	980
23	<b>Width across forks, max.</b>	in mm	27.4	695	27.4	695	27.4	695	27.4	695	36.4	925
	<b>Width inside straddle</b>	in mm	35.6	905	38	965	42.1	1070	43.5	1105	49.4	1255
21	<b>Sideshift Movement (Left/Right)</b>	in mm	2	50	2.8	70	2.8	70	2.8	70	3.9	100

		TL Tilting Mast																			
Mast Chart ESR 1220/1240		ESR 1220-30*/ESR 1240-30*																			
Dimensions	12	<b>Lift Height</b>	in mm	109	2760	121	3070	137	3490	150	3810	161	4080	176	4480	185	4710	195	4950	207	5250
	13	<b>Free Lift Height*</b>	in mm	4	100	4	100	4	100	4	100	4	100	4	100	4	100	4	100	4	100
	14	<b>Mast Collapsed Ht</b>	in mm	78	1990	85	2150	93	2360	99	2520	104	2650	112	2850	117	2970	122	3090	128	3240
	15	<b>Mast Extended Ht*</b>	in mm	130	3305	143	3620	159	4045	172	4360	182	4630	198	5030	207	5260	217	5500	228	5800
	22	<b>Mast Tilt</b>	Degree	F°/B°	2/4		2/4		1/3		1/3		1/3		1/3		1/3		1/3		1/3

		TT Tilting Mast																			
Mast Chart ESR 1220/1240		ESR 1220-30*/ESR 1240-30*																			
Dimensions	12	<b>Lift Height</b>	in mm	166	4210	184	4680	209	5315	228	5790	244	6190	268	6795	281	7140	295	7500	303	7700
	13	<b>Free Lift Height*</b>	in mm	55	1415	61	1570	70	1785	76	1945	81	2075	89	2275	94	2395	99	2515	106	2710
	14	<b>Mast Collapsed Ht</b>	in mm	76	1935	82	2090	91	2305	97	2465	102	2595	110	2795	115	2915	119	3030	127	3235
	15	<b>Mast Extended Ht*</b>	in mm	187	4740	205	5210	230	5850	249	6325	265	6725	288	7320	302	7675	316	8035	324	8235
	22	<b>Mast Tilt</b>	Degree	F°/B°	1/3		1/3		1/3		1/3		1/3		0.5/3		0.5/3		0.5/3		0.5/3

\* All -30 models with lift heights  $\geq 313"$  (7950 mm) will have sideshifter.  
 For Lift Heights below 313" (7950 mm) with a sideshifter, Free Lift Height will be reduced by 3.9" (100 mm) and Mast Extended Height will increase by 0.59" (15 mm).

# ESR 1200 Series

# Specifications

Mast TT			4.4 Lift Height 12		4.2 Collapsed 14		4.3 Free-lift h2		4.5 Extended h4		ESR 1220-30 ESR 1220-35	ESR 1240-30 ESR 1260-30	ESR 1240-35 ESR 1260-35	ESR 1240-45 ESR 1260-45
4-Roller Tilting Carriage	Heavy Duty	in mm	176	4450	79	2025	53	1350	197	5025	•	•	•	-
		in mm	185	4675	82	2100	56	1425	206	5250	•	•	•	-
		in mm	214	5425	92	2350	65	1675	236	6000	•	•	•	-
		in mm	232	5875	98	2500	71	1825	253	6450	•	•	•	-
		in mm	264	6700	109	2775	82	2100	286	7275	•	•	•	-
		in mm	273	6925	112	2850	85	2175	295	7500	•	•	•	-
		in mm	285	7225	116	2950	89	2275	307	7800	•	•	•	-
		in mm	297	7525	120	3050	93	2375	318	8100	•	•	•	-
		in mm	309	7825	124	3150	97	2475	330	8400	•	•	•	-
		in mm	332	8425	131	3350	105	2675	354	9000	④	①	①	-
		in mm	353	8950	138	3525	112	2850	375	9525	④	①	①	-
		in mm	362	9175	141	3600	115	2925	383	9750	④	①	①	-
		in mm	374	9475	148	3700	119	3025	395	10050	-	①	①	-
		in mm	382	9700	148	3775	122	3100	404	10275	-	①	①	-
		in mm	403	10225	155	3950	128	3275	425	10800	-	①	①	-
		in mm	421	10675	165	4200	138	3525	442	11250	-	①	①	-
in mm	427	10825	167	4250	140	3575	448	11400	-	①	①	-		
in mm	436	11050	170	4325	143	3650	457	11625	-	①	①	-		
6-Roller Tilting Carriage	Super Duty	in mm	427	10830	167	4250	140	3580	450	11455	-	-	①	-
		in mm	436	11055	170	4325	143	3655	459	11680	-	-	①	-
		in mm	450	11430	175	4450	148	3780	474	12055	-	-	①	-
		in mm	474	12030	183	4650	156	3980	498	12655	-	-	①	-
	Heavy Duty	in mm	164	4155	79	2025	53	1355	188	4780	-	-	-	①
		in mm	185	4680	86	2200	60	1530	208	5305	-	-	-	①
		in mm	214	5430	96	2450	70	1780	238	6055	-	-	-	①
		in mm	232	5880	102	2600	75	1930	256	6505	-	-	-	①
		in mm	253	6405	109	2775	82	2105	276	7030	-	-	-	①
		in mm	273	6930	116	2950	89	2280	297	7555	-	-	-	①
		in mm	285	7230	120	3050	93	2380	309	7855	-	-	-	①
		in mm	309	7830	127	3250	101	2580	332	8455	-	-	-	①
		in mm	329	8355	134	3425	108	2755	353	8980	-	-	-	①
		in mm	353	8955	142	3625	116	2955	377	9580	-	-	-	①
	Super Duty	in mm	362	9180	145	3700	119	3030	386	9805	-	-	-	①
		in mm	383	9705	152	3875	126	3205	406	10330	-	-	-	①
		in mm	391	9930	155	3950	129	3280	415	10555	-	-	-	①
		in mm	421	10680	165	4200	138	3530	445	11305	-	-	-	①
		in mm	427	10830	167	4250	140	3580	450	11455	-	-	-	①
		in mm	450	11430	175	4450	148	3780	474	12055	-	-	-	①
		in mm	474	12030	183	4650	156	3980	498	12655	-	-	-	①
		in mm	392	9955	174	4425	147	3755	416	10580	-	-	-	②
		in mm	422	10705	184	4675	157	4005	446	11330	-	-	-	②
		in mm	451	11455	193	4925	167	4255	475	12080	-	-	-	②
Super Duty+	in mm	475	12055	201	5125	175	4455	499	12680	-	-	-	②	
	in mm	490	12430	206	5250	180	4580	513	13055	-	-	-	②	
	in mm	499	12655	209	5325	183	4655	522	13280	-	-	-	②	
	in mm	513	13030	214	5450	188	4780	537	13655	-	-	-	②	
	in mm	534	13555	221	5625	195	4955	558	14180	-	-	-	②	
	in mm	551	13980	236	6000	210	5335	575	1461	-	-	-	②	
	in mm	560	14205	239	6075	212	5405	583	14830	-	-	-	② ③	

\*ESR 1260 Xpress Lower collapsed h1 & free lift h2 add 80 ± 5 mm and extd h4 add max. 90 mm.

• = available

① = option 1 battery type no available

② = option 1 battery type and option 2 battery type not available

③ = Xpress Lower not available, chassis width 1425 mm recommended

④ = option 5 battery type not available

Standard ● / Optional ○	ESR 1220	ESR 1240	ESR 1260
<b>Truck Features</b>			
44.1" (1120 mm) overall width	●		
50.6" (1285 mm) overall width		●	●
56.1" (1425 mm) overall width			○
62" (1575 mm) overall width*			○
3000 lb (1400 kg) lift capacity at 24" (600 mm) load center	●	●	●
3500 lb (1600 kg) lift capacity at 24" (600 mm) load center	●	●	●
4500 lb (2000 kg) lift capacity at 24" (600 mm) load center			●
<b>Battery Compartment</b>			
Battery rollers for horizontal extraction	○	○	○
SB 350 connector blue	●	●	●
SB 350 connector red	○	○	○
Li-Ion ready	○	○	○
<b>Controls and Instruments</b>			
Gena operating system control	●	●	●
7" color touch screen display tiltable with navigation keypad	○	●	●
Display Navigation Knob	○	○	○
Keyless start-up with User Access Code (ID reader also included)	●	●	●
Key switch start-up (ID reader not available)	○	○	○
Travel/steer direction indicator	●	●	●
Real-time clock and date	●	●	●
Battery discharge indicator with lift lockout	●	●	●
Hour meters for various system functions	●	●	●
Fingertip hydraulic controls	●	●	●
Dual lever hydraulic controls	○	○	○
Multi-task hydraulic controls	○	○	○
<b>Driving Features</b>			
Cornering Speed Control	●	●	●
e-GEN® braking system	●	●	●
On-Trac anti slip traction + brake	●	●	●
Loadwheel brake system	④	④	●
Ramp hold automatic braking for slopes + push-back rack	●	●	●
Electro-mechanical parking brake	●	●	●
Selectable performance levels (F1, F2, P1, P2, P3)	●	●	●
360 Select™ steering system + indicator	●	●	●
<b>Lifting Features</b>			
Offset mast design	●	●	●
Tilting duplex mast (TL)	○	○	
Tilting triplex mast (TT)	①	①	
Integrated sideshift for tilting masts	○	○	
Triplex mast (TT) with tilting fork carriage and sideshift	②	②	●
Patented Xpress Lower faster mast lowering speed incl. Regen Lower			○
Tilt and sideshift single activation	●	●	
Tilt Position Assist (TPA)	⑥	⑥	○
Lift height and load weight indicator	⑥	⑥	○
Free lift indicator	●	●	●
Auto Height Select (AHS)	⑥	⑥	○
Capacity Data Monitor (CDM)	⑥	⑥	○
Sideshift Position Assist (SPA)	⑥	⑥	○
Lift speed reduction before maximum height	●	●	●
Travel speed reduction above 1000 mm lift height	○	○	○
Travel speed reduction above free lift	●	●	●
No load on outrigger function + override switch	③	③	③
Five raise cutouts with override switch incl. zone select	○	○	○
Color camera system (fork or mast mounted)	⑤	⑤	⑧
ISO class 2 fork carriage	●	●	●
Forktip indicators	●	●	●
4th hydraulic function	○	○	●

\* 62" overall width requires 3.9" (100 mm) sideshifter

Standard ● / Optional ○	ESR 1220	ESR 1240	ESR 1260
<b>Lifting Features</b>			
5th hydraulic function			○
Load backrest	○	○	●
<b>Operator Comfort</b>			
Panorama Glass Overhead Guard		○	○
High-visibility overhead guard	●	●	●
Plexiglass or mesh overhead guard cover	○	○	○
MSG 65 seat with adjustable lumbar support	○	○	●
FlexBack seat backrest			○
Suspension seat	●	●	
Heated vinyl seat	○	○	○
Heated cloth seat	○	○	○
Headrest	○	○	○
Controls mounted on armrest	●	●	●
Armrest adjustable back + forth	⑦	●	●
Armrest adjustable back + forth + tiltable armrest pad	○	○	○
Adjustable steering column with tools	●	●	
Adjustable steering column without tools	○	○	●
Automotive-type accelerator and brake pedals	●	●	●
Multiple storage areas for tools	●	●	●
Low, wide entry step	●	●	●
Desktop with clipboard	○	○	●
Speaker	●	●	●
<b>Safety Features</b>			
Operator presence pedal	●	●	●
Seat switch	●	●	●
Power disconnect switch	●	●	●
Safety reminders	●	●	●
<b>Maintenance Features</b>			
Event code history	●	●	●
Built-in diagnostic system	●	●	●
InfoPoint maps	●	●	●
Brushless AC motors	●	●	●
Swing-out seat deck for easy access	●	●	●
InfoLink® fleet management system hardware, integrated	●	●	●
<b>Work Assist Accessories</b>			
Clipboard	○	○	○
Scan gun holder	○	○	○
Adjustable arm for WMS monitor	○	○	○
12, 24 or 48V power supply	○	○	○
Reading light	○	○	○
Trash bin			○
Beverage holder	○	○	○
Storage pocket	○	○	○
USB-Port	○	○	○
<b>Lighting and Warning Device Options</b>			
Work lights (halogen or LED)	○	○	○
Flashing light (strobe or LED)	○	○	○
Blue floor spot light	○	○	○
Audible travel alarm	○	○	○
Rearview mirror	○	○	○
Laser guidance system	○	○	○
<b>Special Applications</b>			
Drive-in rack overhead guard	○	○	○
Aisle guide rollers	○	○	○
Coldstore condition to -22°F (-30°C)	○	○	○
Coldstore cabin with environmental control			○
Load wheel protection			○

- ① Lift heights ≤ 303" (7700 mm)
- ② Lift heights > 303" (7700 mm)
- ③ Stops forks above outriggers if mast is retracted
- ④ ESR 1220/1240 -30 tilt mast no load wheel brake
- ⑤ Lift height ≥ 313" (7950 mm) only
- ⑥ Not applicable for tilt mast
- ⑦ ESR 1220 Armrest fixed
- ⑧ Mast camera for lift heights above 240" (6090 mm) only

## Operator Compartment and Controls

A comfortable low, wide step speeds entry. Non-slip floor mat ensures smooth and safe entry/exit. Once seated, the operator position can be adjusted to suit small and large operators.

A 7" (17.8 cm) color touchscreen delivers real-time information on the truck's operating status. Thirteen selectable widgets allow the operator to customize the display.

The travel direction switch, accessory controls, Auto Height Select and all hydraulic functions are at the operator's fingertip. Operators can maneuver the truck while blending lift and attachment functions to improve productivity.

The ergonomic armrest is wide and soft with fore and aft adjustment. There are five easily accessible storage compartments and an optional on-board USB-Port for charging mobile devices.

## Gena operating system

Crown's next generation lift truck operating system with integrated InfoLink hardware helps improve performance and safety by making it easy for operators and technicians to see, understand and use vital information. It provides a real-time, data-rich user experience and enhanced control of all primary lift truck systems.

- Traction motor control
- Hydraulic valve and motor control
- Steer & Brake motor control
- Programmable performance profiles
- Personalized information/ advanced diagnostic display/ operator messaging
- Safety checklists and Dynamic Coaching

The Gena user experience is designed to let operators easily adapt the display for the specific task at hand. Screens also offer context-sensitive help including alerts, automated assistance, real-time feedback and coaching.

The Crown display is used for easy trouble shooting, accessing service history and setting performance features. No handset or laptop required – all functions are on-board and easy to use.

## Productivity Features

Speed up your productivity with optional Xpress Lower. This exclusive technology lets you double lowering speeds, resulting in substantial savings in time and money.

Auto Height Select with one-touch control provides precision load stop at programmed rack heights. Tilt Position Assist with mast deflection compensation ensures the forks are level to the ground, regardless of load weight. Capacity Data Monitor provides visual indication and warning when limits are reached. Mast reach/retract speed adjusts depending on lift height and load for more confident handling.

## Traction Control

OnTrac anti-slip traction control monitors truck dynamics, optimizes tractive effort, reduces spinning during acceleration, prevents lock-up during braking, and can extend tire life. It increases traction performance in wet, dusty or freezer conditions.

## Travel

Crown's AC traction system is a closed loop traction control system that maintains top speed throughout the battery charge. Engineered and manufactured by Crown, the AC motor, controller and drive unit are designed specifically for lift truck applications.

Crown's intelligent Cornering Speed Control recognizes whether the operator is driving into or out of a curve, with the system analyzing steer tire angle, driving direction and steering direction. It then automatically adjusts speed and acceleration for maximum safe performance. Ramp Hold is an automatic braking function for slopes and push-back racks.

## Hydraulic System

The control system for the hydraulic pump motor and proportional valves facilitates precise and sensitive execution of all hydraulic functions. All hydraulic parameters such as lift, lower, tilt, side shift, and reach speeds are fully adjustable and can therefore be adapted to different applications.

## Moving Mast

Crown's offset, wide view mast delivers excellent visibility at height as well as for low-level operations. Mast cross-bracing and overhead guard bracing have been angled, and hose and chain rollers have been canted to further enhance visibility.

The ESR 1220 and 1240 feature a range of duplex and triplex masts with limited or full free lift. Tilting masts can compensate for uneven floors common in wet and outdoor applications.

The ESR 1260 features optional heavy and super duty triplex masts with full free lift, integrated side shift and tilting fork carriage. Mast channels are reinforced to minimize static and dynamic deflection when storing heavy loads at tall lift heights.

## Drive Unit

A highly efficient drive unit with Rhein-tacho sensor, helical gearing, integrated pinion and vertically mounted 3-phase (AC) noise reduced traction motor provides silent, powerful traction performance. The large heavy duty poly drive wheel offers high load capacity, long lift, and excellent travel comfort.

## Steering

360 Select control system allows the operator to choose between 180° and 360° steer tire rotation to match driving conditions, experience level or personal preference. The system can be locked in either mode with password-protected access.

## Braking

A disc brake on the motor armature shaft combined with motor regenerative e-GEN braking provides sure braking with fewer parts and maintenance requirements.

A foot pedal applies the service brake. The truck can also be brought to a stop by reversing the travel direction using the electric regenerative plugging function.

The parking brake is activated automatically when the truck comes to a stop. Once the operator has their feet on both pedals and has selected the travel direction, the parking brake will automatically be released.



**You can count on Crown to build lift trucks designed for safe operation, but that's only part of the safety equation. Crown encourages safe operating practices through ongoing operator training, safety-focused supervision, maintenance and a safe working environment. Go to crown.com and view our safety section to learn more.**

## Motors

The Crown manufactured 3-phase (AC) motors deliver high torque and seamless reversal. Traction and hydraulic motors are oversized for superior thermal capability and are especially suitable for high lift heights, high loads and high ambient temperature applications.

## Warning Device Options

Audible or Visual Alerts

Safety considerations and dangers associated with audible travel alarms and lights include:

- Multiple alarms and/or lights can cause confusion.
- Workers ignore the alarms and/or lights after day-in and day-out exposure.
- Operator may transfer the responsibility for "looking out" to the pedestrians.
- Annoys operators and pedestrians.

## Other Options Available

Contact factory for additional options.

*Dimensions and performance data given may vary due to manufacturing tolerances.*

*Performance is based on an average size vehicle and is affected by weight, condition of truck, how it is equipped and the conditions of the operating area. Crown products and specifications are subject to change without notice.*

## crown.com

Because Crown is continually improving its products, specifications are subject to change without notice.

Crown Lift Trucks with Gena Operating Systems are connected products. Please see crown.com for the data use policy to learn more.

Crown, the Crown logo, the color beige, Gena, the Gena logo, the Momentum Mark, InfoLink, OnTrac, e-GEN, Xpress Lower, InfoPoint and the ecologic logo are trademarks of Crown Equipment Corporation in the United States and other countries.

Copyright 2023-2024 Crown Equipment Corporation  
SF20878 Rev 05-24  
Printed in U.S.A.