

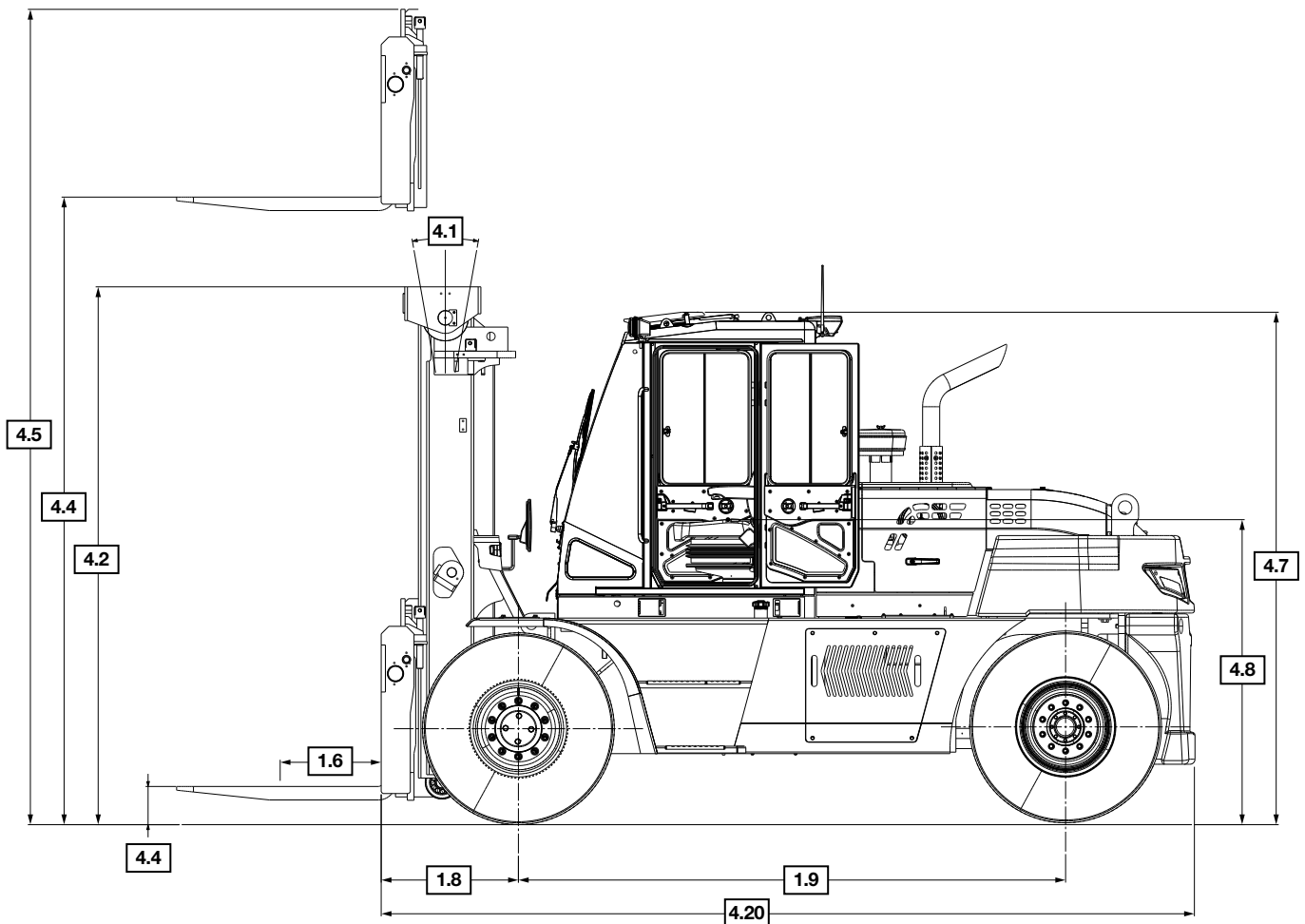
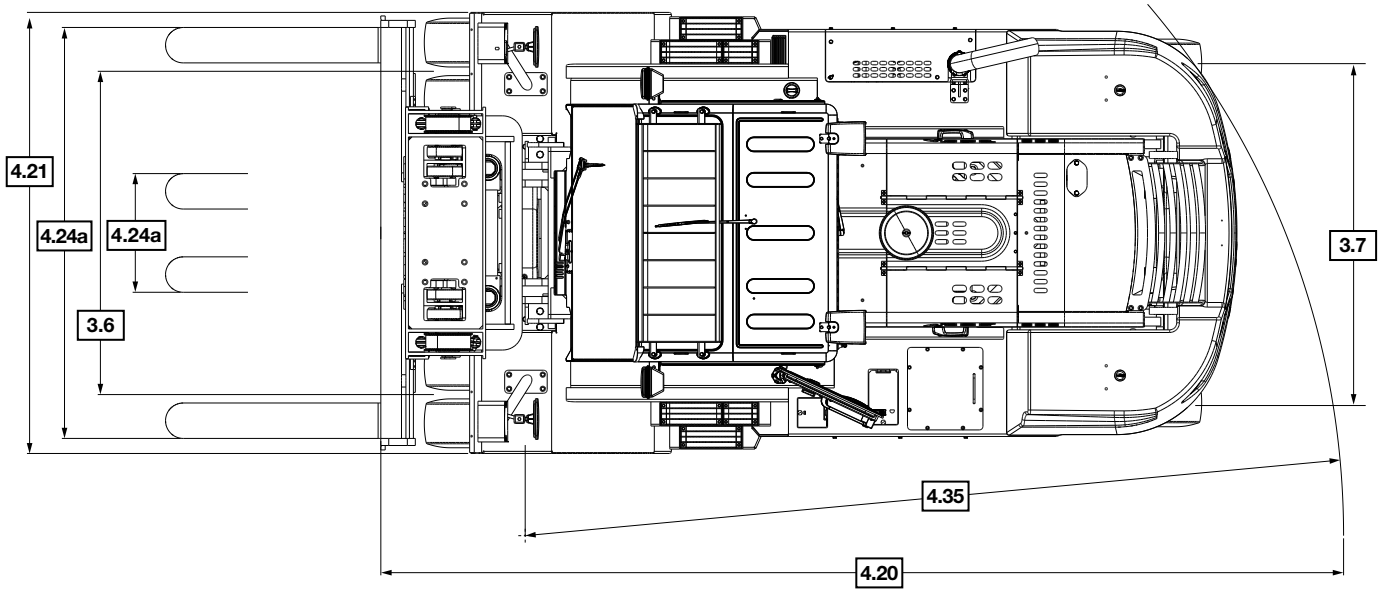
CROWN

C-D

22,000–36,000 lb. Capacity
Diesel Pneumatic Tire

Specifications





C-D Series

Specifications

			Imperial	Metric	Imperial	Metric		
Characteristics	1.2	Model	CD100S-7		CD120S-7			
	1.3	Power	Diesel, Gasoline, LPG					
	1.4	Operator Type	Diesel					
	1.5	Load Capacity	lb kg	22,000	10000	26,000	12000	
	1.6	Load Center	Fork Face to Load CG	in mm	24	600	24	600
	1.8	Load Distance	Center of Wheel to Fork Face	in mm	29.7	755	30.3	770
	1.9	Wheelbase		in mm	118.1	3000	118.1	3000
Weight	2.1	Service Weight	with min. battery wt.	lb kg	33,490	15190	35,690	16190
	2.2	Axle Load	Loaded, Front/Rear	lb kg	48,480/7,010	21985/3205	54,450/7,240	24960/3230
	2.3		Empty, Front/Rear	lb kg	16,470/17,020	7470/7720	16,490/19,200	7480/8710
Tires	3.1	Tire Type	P=Pneumatic, E=Solid		P/E			
	3.2	Tire Size	Front	OD x Width x Rim Dia.	10.00 X 20-16PR			
	3.3		Rear	OD x Width x Rim Dia.				
	3.5	Wheels	Number Front / Rear	x = driven	x4/2			
	3.6	Track Width	Front	in mm	67.8	1724	67.8	1724
	3.7		Rear	in mm	73.2	1860	73.2	1860
Dimensions	4.1	Mast	Tilt, Forward / Backward	deg	See Mast Charts			
	4.2		Collapsed Height	in mm				
	4.3		Free Lift	in mm				
	4.4		Fork Height	in mm				
	4.5		Extended Height	in mm				
	4.7	Height	Overhead Guard (Cabin)	in mm	113.8 (117.7)	2890 (2990)	113.8 (117.7)	2891 (2990)
	4.8	Seat Height		in mm	71.9	1455	71.9	1455
	4.19	Overall Length	with 53-inch fork length	in mm	229.9	5839.5	229.9	5839.5
	4.20	Headlength	Length to Fork Face	in mm	176.8	4490	177.4	4505
	4.21	Overall Width		in mm	92.5	92.5	2350	92.5
	4.22	Forks	Thickness x Width x Length	in mm	2.7x7.87x53.1	70x200x1350	3.1x7.87x53.1	80x200x1350
	4.23		Carriage Type, ISO Class	V				
	4.24		Carriage Width	in mm	See Price Page			
	4.24a		Spacing (Minimum x Maximum)	in mm	18.5x84.2	470x2140	18.5x84.2	470x2140
	4.31	Ground Clearance	Loaded, Lowest Point	in mm	10.6	270	10.6	270
4.32	Center of Wheelbase		in mm	14.2	360	14.2	360	
4.34	Aisle Width (Right Angle Stack)	Add Load Length and Clearance	in mm	198.6	5045	199.2	5060	
4.35	Turning Radius	Minimum Outside	in mm	168.9	4290	168.9	4290	
Performance	5.1	Travel Speed	Loaded/Empty	mph km/h	21.1/23.0	34/37	20.5/22.4	33/36
	5.2	Lift Speed	Loaded/Empty	fpm mm/s	80.7/92.5	410/470	78.7/92.5	400/470
	5.3	Lowering Speed	Loaded/Empty	fpm mm/s	84.6/80.7	430/410	84.6/80.7	430/410
	5.5	Drawbar Pull	Loaded/Empty (1.6km/h)	lb(N)	20790	9430	20613	9350
	5.7	Gradeability	Loaded/Empty (1.6km/h)	%	42	42	36	36
Engine	7.1	Manufacturer/Model	DI/DL06P					
	7.2	Power	DIN ISO1585	HP/kW	172.6 (128.7)			
	7.3	Rated Speed	RPM	min-1	2100			
	7.3.1	Torque	@ 1-min	ft-lb/Nm @ rpm	535/725.7 @ 1400			
	7.4	Number of Cylinders/ Displacement	6 Cyl/5.9L					
	7.10	Battery Voltage/nominal capacity	Voltage/Ampere hour	V/Ah	24/100			
Drive	8.0	Transmission		Type	Powershift			
	8.2.1	Number of Speeds	Forward/Reverse		3/3			
	8.4	Brakes	Service	Type	Oil-Cooled Disc			
	8.5		Parking	Type	Mechanical			
Misc.	10.1	Operating Pressure for Attachments	System/Attachment	psi bar	2,755/2,320	190/160	3,045/2,320	210/160
	10.5	Steering Design		Type	Power Steering			

C-D Series

Specifications

			Imperial	Metric	Imperial	Metric		
Characteristics	1.2	Model	CD140S-7		CD160S-7			
	1.3	Power	Diesel, Gasoline, LPG					
	1.4	Operator Type	Diesel					
	1.5	Load Capacity	Rider-Seated					
	1.6	Load Center	Fork Face to Load CG	in mm	24	600	24	600
	1.8	Load Distance	Center of Wheel to Fork Face	in mm	32/815			
	1.9	Wheelbase		in mm	128	3250	128	3250
Weight	2.1	Service Weight	with min. battery wt.	lb kg	39,675	17995	41,880	18995
	2.2	Axle Load	Loaded, Front/Rear	lb kg	63,415/7,255	28630/3365	70,665/7,210	31525/3470
	2.3		Empty, Front/Rear	lb kg	19,050/20,625	8640/9355	19,105/22,775	8665/10330
Tires	3.1	Tire Type	P=Pneumatic, E=Solid		P/E			
	3.2	Tire Size	Front	OD x Width x Rim Dia.	12.00 X 20-18PR			
	3.3		Rear	OD x Width x Rim Dia.				
	3.5	Wheels	Number Front / Rear	x = driven	x4/2			
	3.6	Track Width	Front	in mm	71.8	1825	71.8	1825
	3.7		Rear	in mm	75.2	1910	75.2	1910
Dimensions	4.1	Mast	Tilt, Forward / Backward	deg	See Mast Charts			
	4.2		Collapsed Height	in mm				
	4.3		Free Lift	in mm				
	4.4		Fork Height	in mm				
	4.5		Extended Height	in mm				
	4.7	Height	Overhead Guard (Cabin)	in mm	116.1 (120.1)	2950 (3050)	116.1 (120.1)	2950 (3050)
	4.8	Seat Height		in mm	74.2	1526	74.2	1526
	4.19	Overall Length	with 53-inch fork length	in mm	243.3	6179.8	243.3	6179.8
	4.20	Headlength	Length to Fork Face	in mm	190.2	4830	190.2	4830
	4.21	Overall Width		in mm	98	2490	98	2490
	4.22	Forks	Thickness x Width x Length	in mm	3.3x7.87x53.1	85x200x1350	3.3x7.87x53.1	85x200x1350
	4.23		Carriage Type, ISO Class		V			
	4.24		Carriage Width	in mm	See Price Page			
	4.24a		Spacing (Minimum x Maximum)	in mm	18.5x90.2	470x2290	18.5x90.2	470x2290
	4.31	Ground Clearance	Loaded, Lowest Point	in mm	10.6	270	10.6	270
4.32	Center of Wheelbase		in mm	14.6	370	14.6	370	
4.34	Aisle Width (Right Angle Stack)	Add Load Length and Clearance	in mm	214.0	5435	214.0	5435	
4.35	Turning Radius	Minimum Outside	in mm	181.9	4620	181.9	4620	
Performance	5.1	Travel Speed	Loaded/Empty	mph km/h	16.2/18.6	26/30	15.5/18.0	25/29
	5.2	Lift Speed	Loaded/Empty	fpm mm/s	72.8/84.6	370/430	70.9/84.6	360/430
	5.3	Lowering Speed	Loaded/Empty	fpm mm/s	84.6/80.7	430/410	84.6/80.7	430/410
	5.5	Drawbar Pull	Loaded/Empty (1.6km/h)	lb(N)	23347	10590	23193	10520
	5.7	Gradeability	Loaded/Empty (1.6km/h)	%	36	36	32	32
Engine	7.1	Manufacturer/Model	DI/DL06P					
	7.2	Power	DIN ISO1585	HP/kW	172.6 (128.7)			
	7.3	Rated Speed	RPM	min-1	2100			
	7.3.1	Torque	@ 1-min	ft-lb/Nm @ rpm	535/725.7 @ 1400			
	7.4	Number of Cylinders/ Displacement	6 Cyl/5.9L					
7.10	Battery Voltage/nominal capacity	Voltage/Ampere hour	V/Ah	24/100				
Drive	8.0	Transmission		Type	Powershift			
	8.2.1	Number of Speeds	Forward/Reverse		3/3			
	8.4	Brakes	Service	Type	Oil-Cooled Disc			
	8.5		Parking	Type	Mechanical			
Misc.	10.1	Operating Pressure for Attachments	System/Attachment	psi bar	3,045/2,320	210/160	3,265/2,320	225/160
	10.5	Steering Design		Type	Power Steering			

C-D Series

Specifications

Mast Chart CD 100S-7

Mast Type	Maximum Fork Height		Maximum Lowered Height		Fully Extended Height		Free Lift		Rated Load Capacities			
					With Load Backrest		With Load Backrest		Double Pneumatic			
					With Load Backrest		With Load Backrest		Tilt Angle		Load Capacities	
					FWD	BWD	LC24in	LC600mm				
	in	mm	in	mm	in	mm	in	mm	deg	deg	lb	kg
TL	118	3000	117	2965	176	4465	0	0	15	12	22,000	10000
	138	3500	127	3215	195	4965	0	0	15	12	22,000	10000
	157	4000	136	3465	215	5465	0	0	15	12	22,000	10000
	177	4500	146	3715	235	5965	0	0	15	12	22,000	10000
	197	5000	164	4165	262	6665	0	0	15	12	22,000	10000
	217	5500	174	4415	282	7165	0	0	15	12	22,000	10000
	236	6000	184	4665	302	7665	0	0	15	12	22,000	10000
TT	157	4000	111	2815	217	5500	55	1385	15	10	22,000	10000
	177	4500	117	2980	236	6000	61	1550	15	10	22,000	10000
	197	5000	124	3145	256	6500	68	1720	15	10	22,000	10000
	216	5500	131	3315	276	7000	74	1885	15	10	22,000	10000
	236	6000	137	3480	295	7500	81	2050	15	10	22,000	10000

Mast Chart CD 120S-7

Mast Type	Maximum Fork Height		Maximum Lowered Height		Fully Extended Height		Free Lift		Rated Load Capacities			
					With Load Backrest		With Load Backrest		Double Pneumatic			
					With Load Backrest		With Load Backrest		Tilt Angle		Load Capacities	
					FWD	BWD	LC24in	LC600mm				
	in	mm	in	mm	in	mm	in	mm	deg	deg	lb	kg
TL	118	3000	117	2965	176	4465	0	0	15	12	26,450	12000
	138	3500	127	3215	195	4965	0	0	15	12	26,450	12000
	157	4000	136	3465	215	5465	0	0	15	12	26,450	12000
	177	4500	146	3715	235	5965	0	0	15	12	26,450	12000
	197	5000	164	4165	262	6665	0	0	15	12	26,450	12000
	217	5500	174	4415	282	7165	0	0	15	12	26,450	12000
	236	6000	184	4665	302	7665	0	0	15	12	26,450	12000
TT	157	4000	111	2815	216	5495	55	1400	15	10	26,450	12000
	177	4500	117	2980	236	5995	62	1565	15	10	26,450	12000
	197	5000	124	3145	256	6495	68	1735	15	10	26,450	12000
	216	5500	131	3315	275	6995	75	1900	15	10	25,850	11800
	236	6000	137	3480	295	7495	81	2065	15	10	25,850	11425

C-D Series

Specifications

Mast Chart CD 140S-7

Mast Type	Maximum Fork Height		Maximum Lowered Height		Fully Extended Height		Free Lift		Rated Load Capacities			
					With Load Backrest		With Load Backrest		Double Pneumatic			
					With Load Backrest		With Load Backrest		Tilt Angle		Load Capacities	
					in	mm	in	mm	in	mm	deg	deg
TL	118	3000	125	3170	184	4670	0	0	15	12	30,850	14000
	138	3500	135	3420	204	5170	0	0	15	12	30,850	14000
	157	4000	144	3670	223	5670	0	0	15	12	30,850	14000
	177	4500	154	3920	243	6170	0	0	15	12	30,850	14000
	197	5000	172	4370	270	6870	0	0	15	12	30,850	14000
	217	5500	182	4620	290	7370	0	0	15	12	30,850	14000
	236	6000	192	4870	310	7870	0	0	15	12	30,500	13925
	256	6500	202	5130	330	8382	0	0	15	12	28,560	12925
TT	145	3700	115	2930	210	5330	54	1380	15	8	30,850	14000
	157	4000	119	3030	222	5630	58	1480	15	8	30,850	14000
	177	4500	126	3195	241	6130	65	1645	15	8	30,550	13950
	197	5000	132	3360	261	6630	71	1815	15	8	29,650	13525
	216	5500	139	3530	281	7130	78	1980	15	8	28,700	13100
	236	6000	145	3695	300	7630	84	2145	15	8	27,800	12675

Mast Chart CD 160S-7

Mast Type	Maximum Fork Height		Maximum Lowered Height		Fully Extended Height		Free Lift		Rated Load Capacities			
					With Load Backrest		With Load Backrest		Double Pneumatic			
					With Load Backrest		With Load Backrest		Tilt Angle		Load Capacities	
					in	mm	in	mm	in	mm	deg	deg
TL	118	3000	125	3170	184	4670	0	0	15	12	36,000	16000
	138	3500	135	3420	204	5170	0	0	15	12	36,000	16000
	157	4000	144	3670	223	5670	0	0	15	12	36,000	16000
	177	4500	154	3920	243	6170	0	0	15	12	36,000	16000
	197	5000	172	4370	270	6870	0	0	15	12	36,000	16000
	217	5500	182	4620	290	7370	0	0	15	12	34,900	15950
	236	6000	192	4870	310	7870	0	0	15	12	33,950	15475
	256	6500	202	5130	330	8382	0	0	15	12	28,560	12925
TT	145	3700	115	2930	210	5330	54	1380	15	8	35,750	16000
	157	4000	119	3030	222	5630	58	1480	15	8	35,100	16000
	177	4500	126	3195	241	6130	65	1645	15	8	34,050	15525
	197	5000	132	3360	261	6630	71	1815	15	8	33,000	15075
	216	5500	139	3530	281	7130	78	1980	15	8	31,950	14600
	236	6000	145	3695	300	7630	84	2145	15	8	30,950	14150

Standard Features

1. Doosan DL06P 6.0 Liter Turbo diesel engine
2. 3-speed autoshift transmission
3. Ground speed control
4. Oil-cooled disc brakes
5. Rugged steer axle with large king pins and tapered roller bearings
6. Direction lever function
7. Operator Presence System (OPS)
8. Anti-cinching orange seat belt
9. Autoshift controller
10. Emergency switch
11. Two large rear view mirrors
12. Combination lamps
13. Back-up alarm
14. Weight scale
15. Ergonomic pedals for accelerator, brake and inching
16. All-in-one electronic brake and inching pedal
17. Rear grab bar (with horn)
18. Telescopic steering column
19. Integrated instrument panel
20. Heated suspension seat
21. Steering knob
22. Waterproof connectors
23. Dual element air cleaner
24. Pre-cleaner
25. Rigid driveaxle (with OCDB)
26. Emission regulation (Tier 4 Final)
27. UL Certification
28. Tilting operator cab (Maintenance access)
29. Two front and two rear LED worklights

Optional Equipment

1. Engine block heater
2. Public announcement (PA) system
3. Hard cabin
4. Air compressor
5. Light options
 - Strobe light (amber or red)
 - Two additional mast lights
 - Two additional rear work lights
6. Front and rear camera options
7. UL DS Rating
8. Lifting eyes
9. Top roof cover
10. Reversible radiator fan (cleans debris from radiator)
11. Info Link ready
12. Hydraulic accumulator

Warning Device Options

Audible Alerts

Safety considerations and dangers associated with audible travel alarms include:

- Multiple alarms can cause confusion.
- Workers ignore the alarms after day-in and day-out exposure.
- Operator may transfer the responsibility for "looking out" to the pedestrians.
- Annoys operators and pedestrians.

Other Options Available

Contact factory for additional options.

Dimensions and performance data given may vary due to manufacturing tolerances.

Performance is based on an average size vehicle and is affected by weight, condition of vehicle, how it is equipped and the conditions of the operating area. Products and specifications are subject to change without notice.



crown.com

You can count on Crown to build lift trucks designed for safe operation, but that's only part of the safety equation. Crown encourages safe operating practices through ongoing operator training, safety-focused supervision, maintenance and a safe working environment. Go to crown.com and view our safety section to learn more.

Because Crown is continually improving its products, specifications are subject to change without notice.

Crown, the Crown logo, the color beige, and the Momentum symbol are trademarks of Crown Equipment Corporation in the United States and other countries.

Copyright 2024 Crown Equipment Corporation
SF20906 01-24
Printed in U.S.A.