

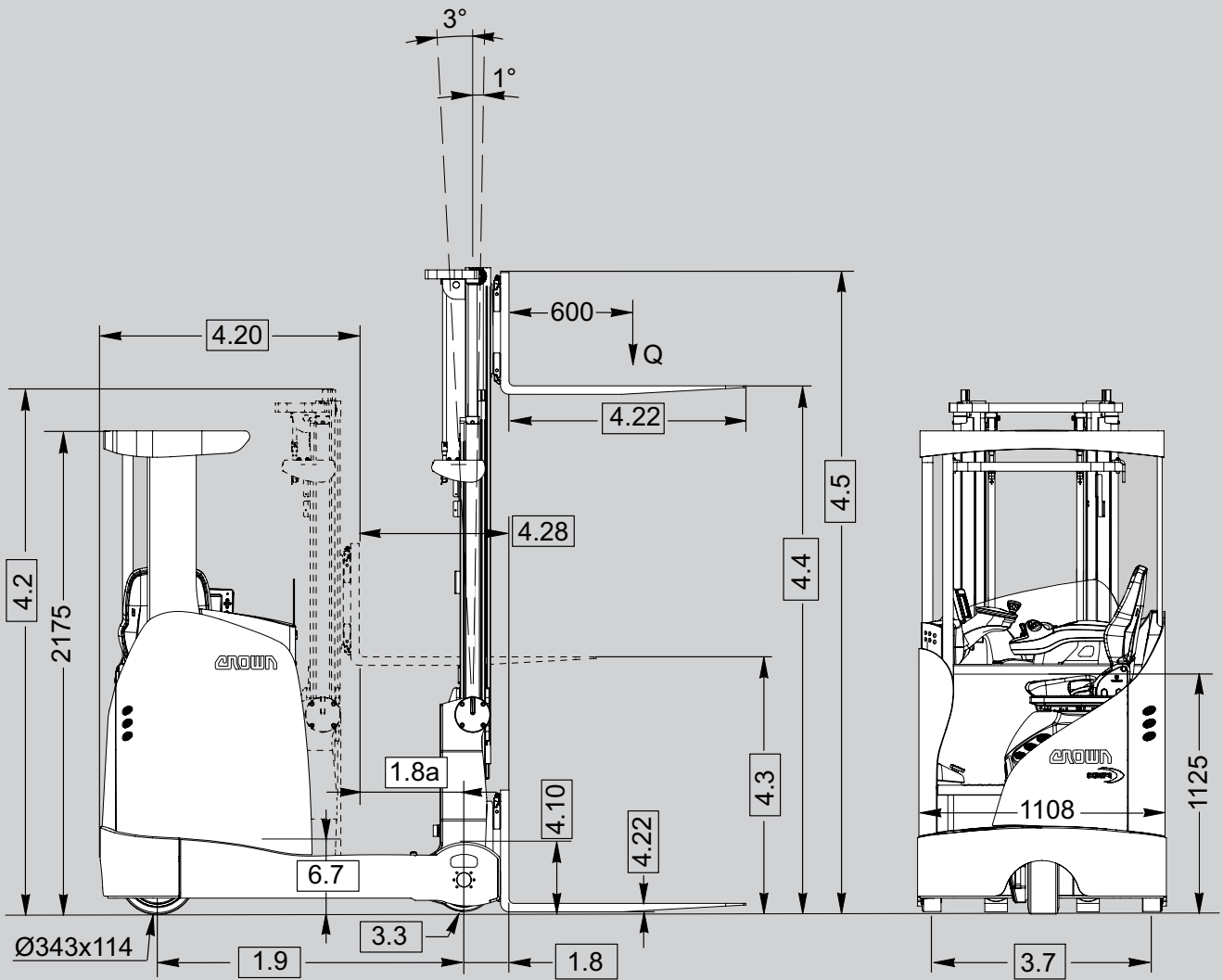
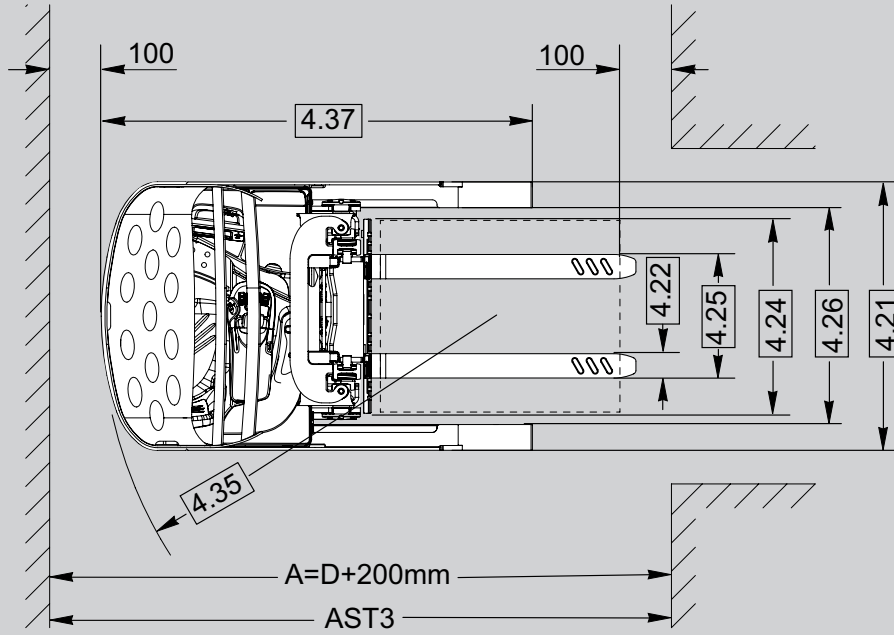
CROWN

ESR 1200 SERIES

Specifications

Reach Truck





Distinguishing Mark	1.1	Manufacturer	Crown Equipment Corporation							
	1.2	Model			ESR 1220-1.4 Tilting Mast	ESR 1220-1.4 Tilting Carriage	ESR 1220-1.6 Tilting Mast	ESR 1220-1.6 Tilting Carriage		
	1.3	Power Source	Electric							
	1.4	Operator Type	Sit-down							
	1.5	Rated Capacity		Q	t	1.4		1.6		
	1.6	Load Centre		c	mm	600				
	1.8	Load Distance	Fork advanced	x	mm	202		209		
	1.8a		Fork retracted	x1	mm	see table 6				
	1.9	Wheelbase		y	mm	1380		1475		
Weight	2.1	Service Weight	Less battery		kg	1855 ¹	2153 ²	1990 ³	2306 ⁴	
	2.4	Axle Load	Fork advanced		kg	see table 3				
	2.5		Fork retracted		kg	see table 3				
Tyres/Wheels/Chassis	3.1	Tyres	Front/Rear			Vulkollan				
	3.2	Tyre Size	Front		mm	343 x 114				
	3.3		Rear		mm	285 x 80				
	3.5	Wheels	Number front/rear (x=driven wheels)				1x / 2			
	3.7	Tread	Rear	b11	mm	see table 2				
Dimensions	4.1	Tilt of Mast	Forward/backward	α / β	°	see table 5	-	see table 5	-	
		Tilt of Fork Carriage	Forward/backward	α / β	°	-	2 / 4	-	2 / 4	
	4.2	Mast	Collapsed height	h1	mm	see table 5	see table 4	see table 5	see table 4	
	4.3	Free-lift	Without load backrest	h2	mm	see table 5	see table 4	see table 5	see table 4	
	4.4	Lift Height		h3	mm	see table 5	see table 4	see table 5	see table 4	
	4.5	Mast Extended Height	Extended height, without load backrest	h4	mm	see table 5	see table 4	see table 5	see table 4	
	4.7	Overhead Guard Height		h6	mm	2175				
	4.8	Seat Height relating to SIP		h7	mm	1125				
	4.10	Outrigger Height			mm	312				
	4.15	Fork Height		h13	mm	38		45		
	4.20	Head Length		l2	mm	see table 6				
	4.21	Overall Width		b1	mm	1120				
	4.22	Fork Dimensions	DIN ISO 2331	s	mm	38		45		
				e x l	mm	102 x 1145				
	4.23	Fork Carriage ISO 2328, Class/Type A, B					2 A			
	4.24	Fork Carriage Width	Without load backrest	b3	mm	750 ⁵	750			
	4.25	Fork Spread		b5	mm	see table 2				
	4.26	Inside Straddle Dimension		b4	mm	see table 2				
	4.28	Reach		l4	mm	see table 6				
	4.32	Ground Clearance	Centre wheelbase	m2	mm	76				
4.34.1	Aisle Width	For pallets 1000x1200 crossways	Ast	mm	see table 6					
4.34.2		For pallets 800x1200 lengthways	Ast	mm	see table 6					
4.35	Turning Radius		Wa	mm	1638		1733			
4.37	Length across Wheel Arms		l7	mm	1800		1895			
Performance Data	5.1	Travel Speed	With load / without load		km/h	10.0 / 10.0 ⁶	11.0 / 11.0	10.0 / 10.0 ⁶	11.0 / 11.0	
	5.2	Lift Speed	With load / without load		m/s	0.4 / 0.6				
	5.3	Lowering Speed	With load / without load		m/s	0.5 / 0.5				
	5.4	Reaching Speed	With load / without load		m/s	0.18 / 0.18				
	5.8	Max. Gradeability	With load / without load		%	12 / 12				
	5.10	Service Brake	Regenerative, electric / load wheel brake				regen. / no	regen. / 2x	regen. / 1x	regen. / 2x
Electric Motor	6.1	Traction Motor	60 min. rating		kW	9				
	6.2	Pump Motor	15% on time		kW	11.2				
	6.3	Max. Battery Box Size		l x h x w	mm	see table 1				
	6.4	Battery Voltage	Nominal capacity 5 h rating			V/Ah	48 / see table 1			
	6.5	Battery Weight				kg	see table 1			
	6.7	Battery Tray Height	With rollers / without rollers			mm	303 / 292			
	Add.	10.1	Available Working Pressure for Attachments				bar	210		
10.7		Sound Pressure Level at the Operator's seat				dB(A)	65			

¹ TL mast 2760 mm + option 5 battery type

² TT mast 4440 mm + option 5 battery type

³ TL mast 2760 mm + option 6 battery type

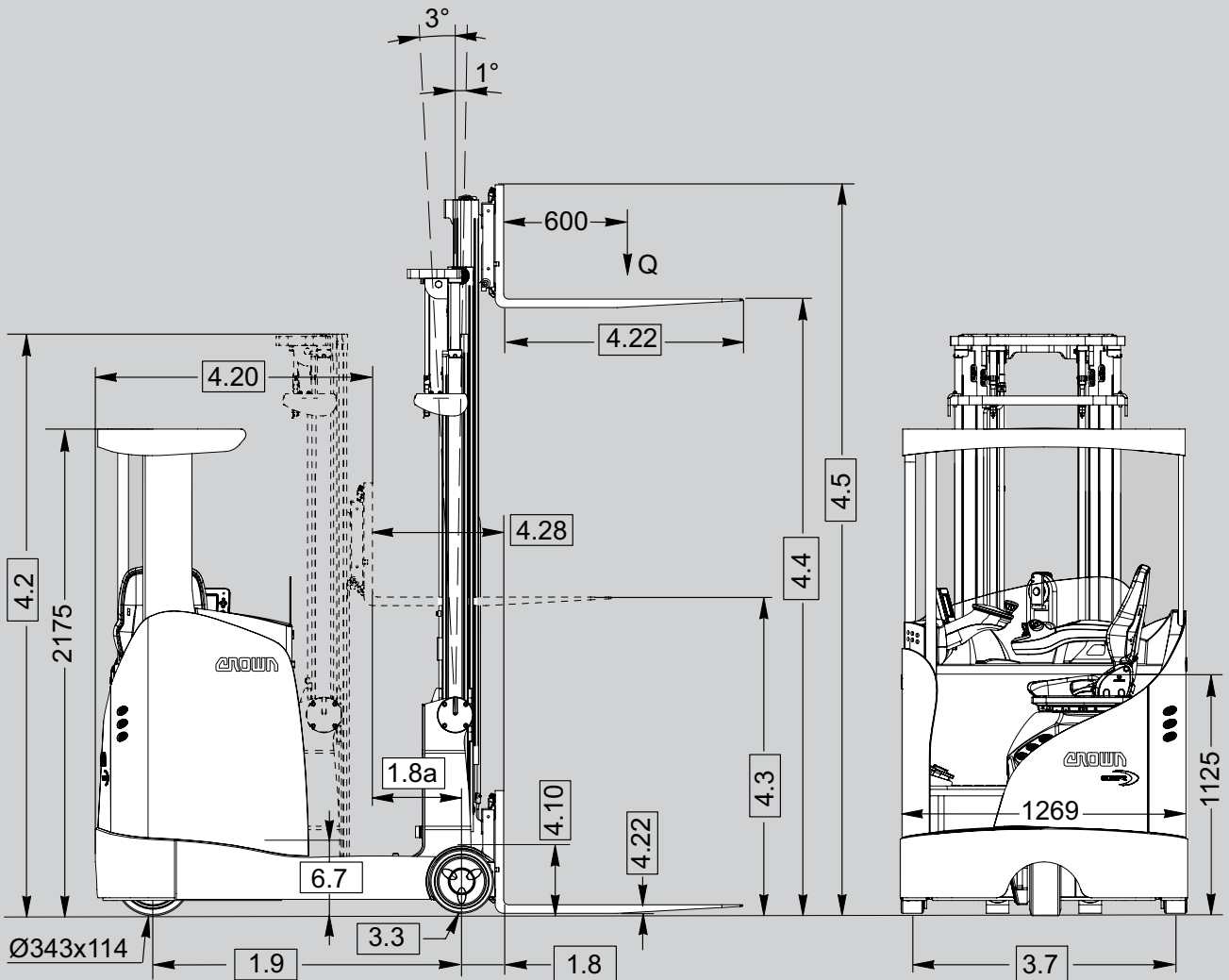
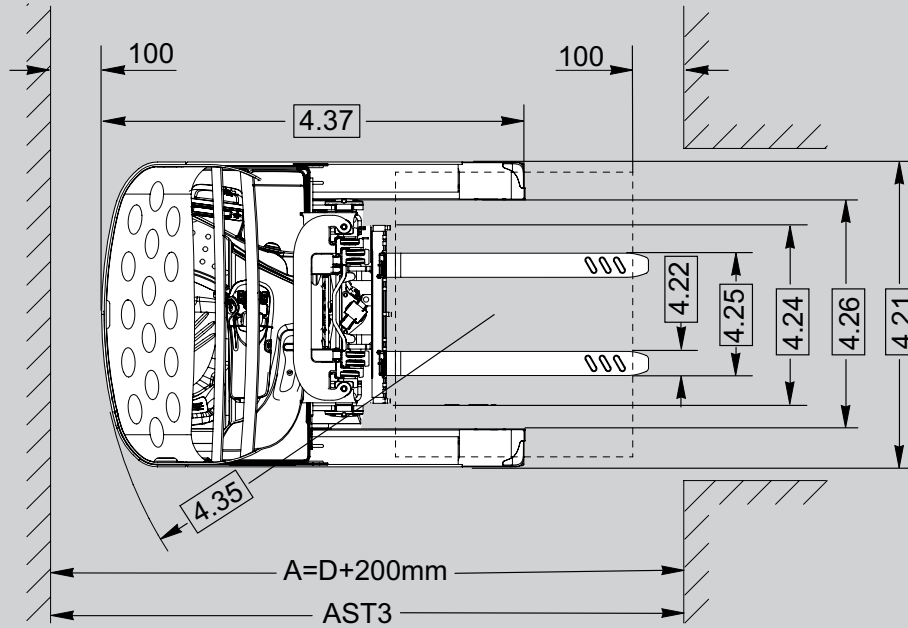
⁴ TT mast 4440 mm + option 6 battery type

⁵ Fork carriage without integrated sideshift: 810 mm

⁶ 1 km/h less in fork direction

TL = telescopic limited free-lift mast

TT = triple-telescopic mast



Distinguishing Mark	1.1	Manufacturer	Crown Equipment Corporation								
	1.2	Model				ESR 1240 1.4 Tilting Mast	ESR 1240 1.4 Tilting Carriage	ESR 1240 1.6 Tilting Mast	ESR 1240 1.6 Tilting Carriage	ESR 1240 2.0 Tilting Carriage	
	1.3	Power Source	Electric								
	1.4	Operator Type	Sit-down								
	1.5	Rated Capacity		Q	t	1.4		1.6		2.0	
	1.6	Load Centre		c	mm	600					
	1.8	Load Distance	Fork advanced	x	mm	187			217		
	1.8a		Fork retracted	x1	mm	see table 7	see table 8	see table 7	see table 8		
	1.9	Wheelbase		y	mm	1380			1475		
Weight	2.1	Service Weight	Less battery		kg	2055 ¹	2387 ²	2190 ¹	2467 ²	2555 ³	
	2.4	Axle Load	Fork advanced		kg	see table 3					
	2.5		Fork retracted		kg	see table 3					
Tyres/Wheels/Chassis	3.1	Tyres	Front/Rear			Vulkollan					
	3.2	Tyre Size	Front		mm	343 x 114				343 x 140	
	3.3		Rear		mm	285 x 100 ⁴		330 x 100 ⁵		330 x 100	
	3.5	Wheels	Number front/rear (x=driven wheels)			1x / 2					
	3.7	Tread	Rear	b11	mm	see table 2					
Dimensions	4.1	Tilt of Mast	Forward/backward	α / β	°	see table 5	-	see table 5	-		
		Tilt of Fork Carriage	Forward/backward	α / β	°	-	2 / 4	-	2 / 4		
	4.2	Mast	Collapsed height	h1	mm	see table 5	see table 4	see table 5	see table 4		
	4.3	Free-lift	Without load backrest	h2	mm	see table 5	see table 4	see table 5	see table 4		
	4.4	Lift Height		h3	mm	see table 5	see table 4	see table 5	see table 4		
	4.5	Mast Extended Height	Extended height, without load backrest	h4	mm	see table 5	see table 4	see table 5	see table 4		
	4.7	Overhead Guard Height	Low / Standard / Angled	h6	mm	2175 / 2375 / 2554					
	4.8	Seat Height relating to SIP		h7	mm	1125					
	4.10	Outrigger Height			mm	301		346			
	4.15	Fork Height		h13	mm	38		45			
	4.20	Head Length		l2	mm	see table 7	see table 8	see table 7	see table 8		
	4.21	Overall Width		b1	mm	1285					
	4.22	Fork Dimensions	DIN ISO 2331	s	mm	38		45			
				e x l	mm	102 x 1145					
	4.23	Fork Carriage ISO 2328, Class/Type A, B				2 A					
	4.24	Fork Carriage Width	Without load backrest	b3	mm	750 ⁶	750				
	4.25	Fork Spread		b5	mm	see table 2					
	4.26	Inside Straddle Dimension		b4	mm	see table 2					
	4.28	Reach		l4	mm	see table 7	see table 8	see table 7	see table 8		
4.32	Ground Clearance	Centre wheelbase	m2	mm	76						
4.34.1	Aisle Width	For pallets 1000x1200 crossways	Ast	mm	see table 7	see table 8	see table 7	see table 8			
4.34.2		For pallets 800x1200 lengthways	Ast	mm	see table 7	see table 8	see table 7	see table 8			
4.35	Turning Radius		Wa	mm	1645 ¹⁰			1734 ¹⁰			
4.37	Length across Wheel Arms		l7	mm	1785 ¹⁰			1903 ¹⁰			
Performance Data	5.1	Travel Speed	With load / without load		km/h	10.0/10.0 ⁷	11.0/11.0 ⁸	10.0/10.0 ⁷	11.0/11.0 ⁸		
	5.2	Lift Speed	With load / without load		m/s	0.4 / 0.6					
	5.3	Lowering Speed	With load / without load		m/s	0.5 / 0.5					
	5.4	Reaching Speed	With load / without load		m/s	0.18 / 0.18					
	5.8	Max. Gradeability	With load / without load		%	12 / 12					
	5.10	Service Brake	Regenerative, electric / load wheel brake			regen./no	regen./2x	regen./1x	regen./2x	regen./2x	
Electric Motor	6.1	Traction Motor	60 min. rating		kW	9					
	6.2	Pump Motor	15% on time		kW	11.2			11.2 ⁹	17.1	
	6.3	Max. Battery Box Size		lxhwxw	mm	see table 1					
	6.4	Battery Voltage	Nominal capacity 5 h rating		V/Ah	48 / see table 1					
	6.5	Battery Weight			kg	see table 1					
	6.7	Battery Tray Height	With rollers / without rollers		mm	303 / 292					
	Add.	10.1	Available Working Pressure for Attachments			bar	210				
10.7		Sound Pressure Level at the Operator's seat			dB(A)	65					

¹ TL mast 2760 mm + option 1 battery type

² TT mast 4440 mm + option 1 battery type

³ TT mast 4145 mm + option 2 battery type

⁴ Narrow outriggers 285 x 80 mm

⁵ Narrow outriggers 330 x 80 mm

⁶ Fork carriage without integrated sideshift: 810 mm

⁷ 1 km/h less in fork direction

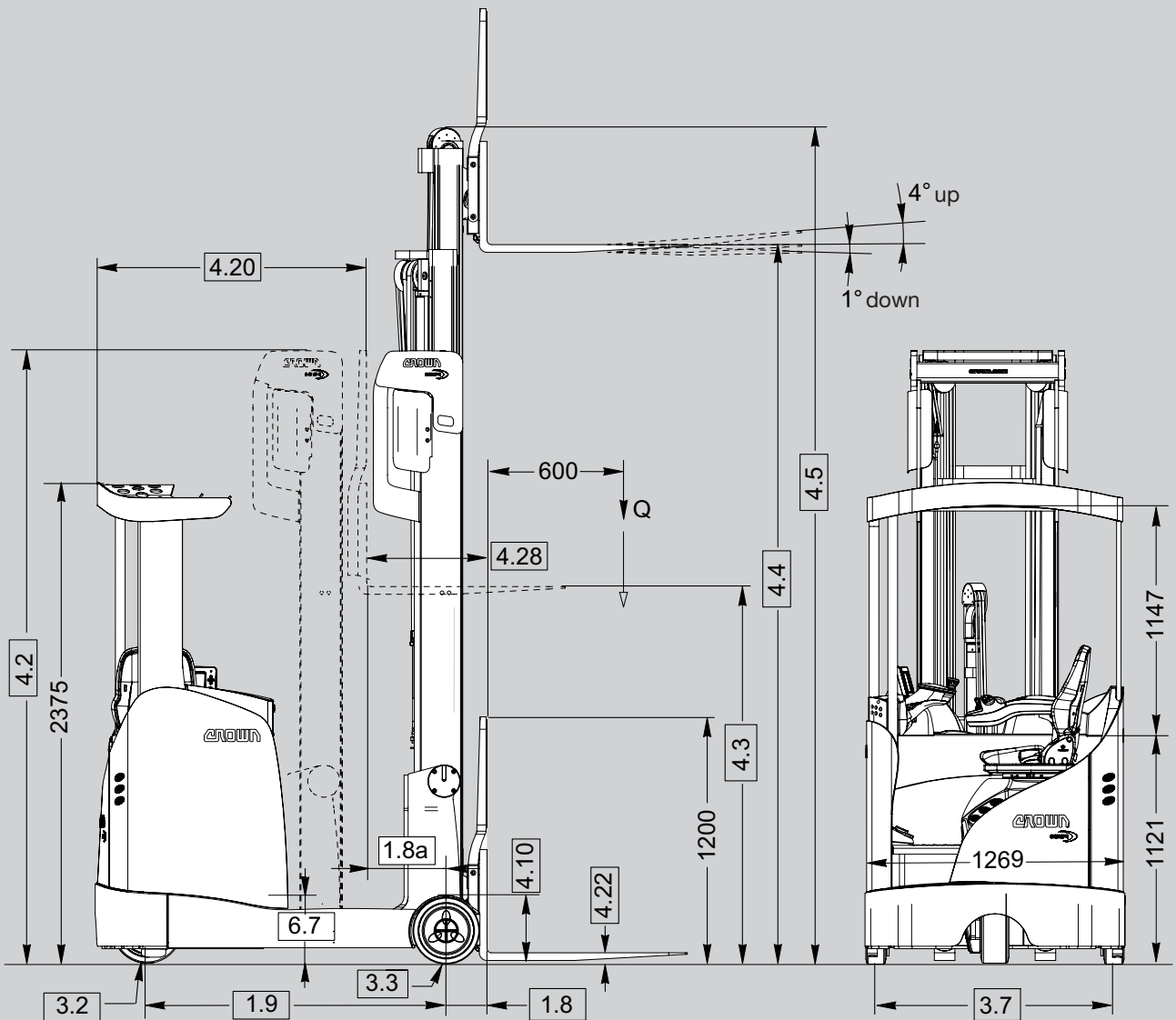
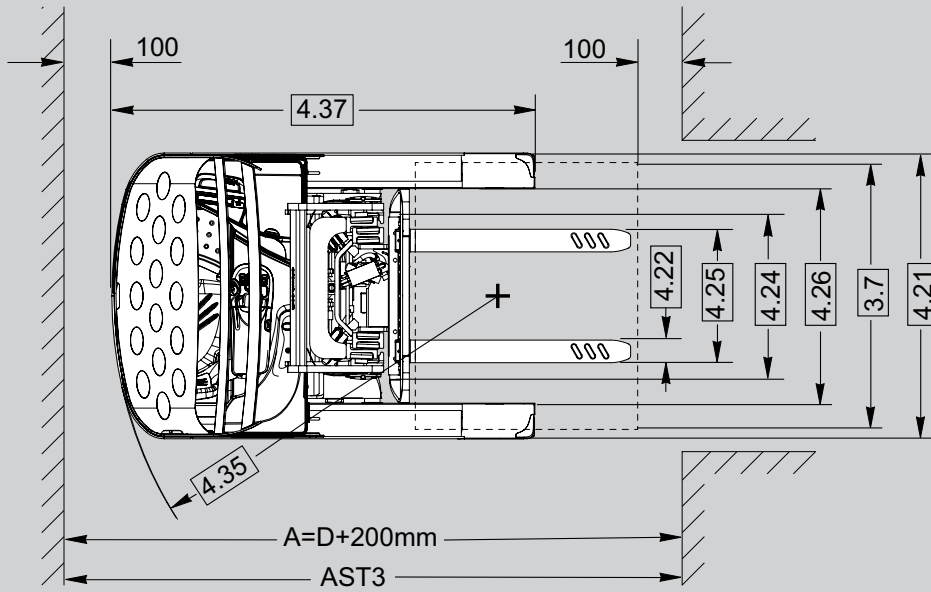
⁸ High travel speed option: 14.0 / 14.0 km/h

⁹ For super duty mast: 17.1 kW

¹⁰ Freezer Cabin: add 100 mm

TL = telescopic limited free-lift mast

TT = triple-telescopic mast



Distinguishing Mark	1.1	Manufacturer	Crown Equipment Corporation						
	1.2	Model			ESR 1260-1.4 Tilting Carriage	ESR 1260-1.6 Tilting Carriage	ESR 1260-2.0 Tilting Carriage		
	1.3	Power Source	Electric						
	1.4	Operator Type	Sit-down						
	1.5	Rated Capacity		Q	t	1.4	1.6	2.0	
	1.6	Load Centre	600						
	1.8	Load Distance	Fork advanced	x	mm	187	217		
	1.8a		Fork retracted	x1	mm	see table 8			
	1.9	Wheelbase		y	mm	1380	1475		
Weight	2.1	Service Weight	Less battery		kg	2534 ¹	2557 ¹	2661 ²	
	2.4	Axle Load	Fork advanced		kg	see table 3			
	2.5		Fork retracted		kg	see table 3			
Tyres/Wheels/Chassis	3.1	Tyres	Front/Rear						
	3.2	Tyre Size	Front		mm	343 x 140			
	3.3		Rear		mm	285 x 100 ³	330 x 100 ⁴	330 x 100	
	3.5	Wheels	Number front/rear (x=driven wheels)						
	3.7	Tread	Rear	b11	mm	see table 2			
	4.1	Tilt of Fork Carriage	Forward/backward	α / β	°	2 / 4			
	4.2	Mast	Collapsed height	h1	mm	see table 4			
	4.3	Free-lift	Without load backrest	h2	mm	see table 4 *			
	4.4	Lift Height		h3	mm	see table 4			
	4.5	Mast Extended Height	Extended height, without load backrest	h4	mm	see table 4 **			
	4.7	Overhead Guard Height	Low / Standard / Angled	h6	mm	2175 / 2375 / 2554			
	4.8	Seat Height relating to SIP		h7	mm	1113			
	4.10	Outrigger Height			mm	301	346		
	4.15	Fork Height		h13	mm	38	45		
	4.20	Head Length		l2	mm	see table 8			
	4.21	Overall Width	Front/rear	b1	mm	see table 2			
	4.22	Fork Dimensions	DIN ISO 2331	s	mm	38	45		
	4.23			e x l	mm	102 x 1145			
	4.23	Fork Carriage ISO 2328, Class/Type A, B					2 A		
	4.24	Fork Carriage Width	With / without load backrest	b3	mm	770 / 750			
	4.25	Fork Spread		b5	mm	see table 2			
	4.26	Inside Straddle Dimension		b4	mm	see table 2			
	4.28	Reach		l4	mm	see table 8			
	4.32	Ground Clearance	Centre wheelbase	m2	mm	76			
	4.34.1	Aisle Width	For pallets 1000x1200 crossways	Ast	mm	see table 8			
4.34.2	For pallets 800x1200 lengthways		Ast	mm	see table 8				
4.35	Turning Radius		Wa	mm	1645 ⁵	1734 ⁵			
4.37	Length across Wheel Arms		l7	mm	1785 ⁵	1903 ⁵			
Performance Data	5.1	Travel Speed	With load / without load		km/h	14.0 / 14.0			
	5.2	Lift Speed	With 1000 kg load / without load		m/s	0.58 / 0.80	0.58 / 0.71		
	5.3	Lowering Speed	With load / without load		m/s	0.57 / 0.57	0.57 / 0.50		
		Xpress Lowering Speed	With load / without load		m/s	1.1 / 1.1			
	5.4	Reaching Speed	With load / without load		m/s	0.21 / 0.21			
	5.8	Max. Gradeability	With load / without load		%	12 / 12			
5.10	Service Brake	Regenerative, electric / load wheel brake					regen. / 2x		
Electric Motor	6.1	Traction Motor	60 min. rating		kW	9			
	6.2	Pump Motor	15% on time		kW	17.1			
	6.3	Max. Battery Box Size		lxhwx	mm	see table 1			
	6.4	Battery Voltage	Nominal capacity 5 h rating		V/Ah	48 / see table 1			
	6.5	Battery Weight			kg	see table 1			
	6.7	Battery Tray Height	With rollers / without rollers		mm	303 / 292			
Add.	10.1	Available Working Pressure for Attachments			bar	210			
	10.7	Sound Pressure Level at the Operator's seat			dB(A)	65			

¹ TT mast 4890 mm + option 1 battery type

² TT mast 4595 mm + option 2 battery type

³ Narrow outriggers 285 x 80 mm

⁴ Narrow outriggers 330 x 80 mm

⁵ Freezer Cabin: add 100 mm

* with load backrest 1.4 / 1.6 t -650 mm; 2.0 t -535 mm

** with load backrest 1.4 / 1.6 t +650 mm; 2.0 t +535 mm

TL = telescopic limited free-lift mast

TT = triple-telescopic mast

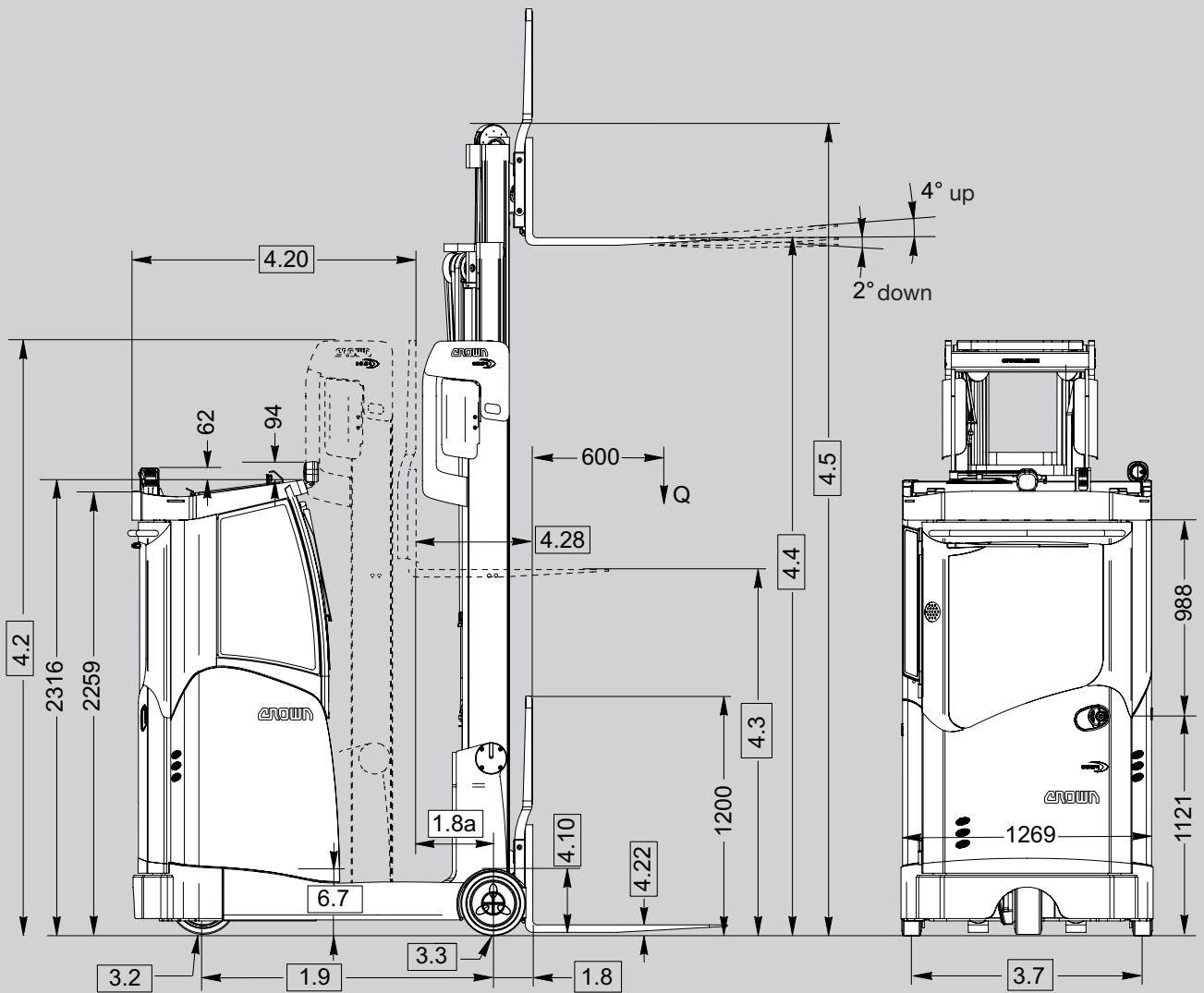
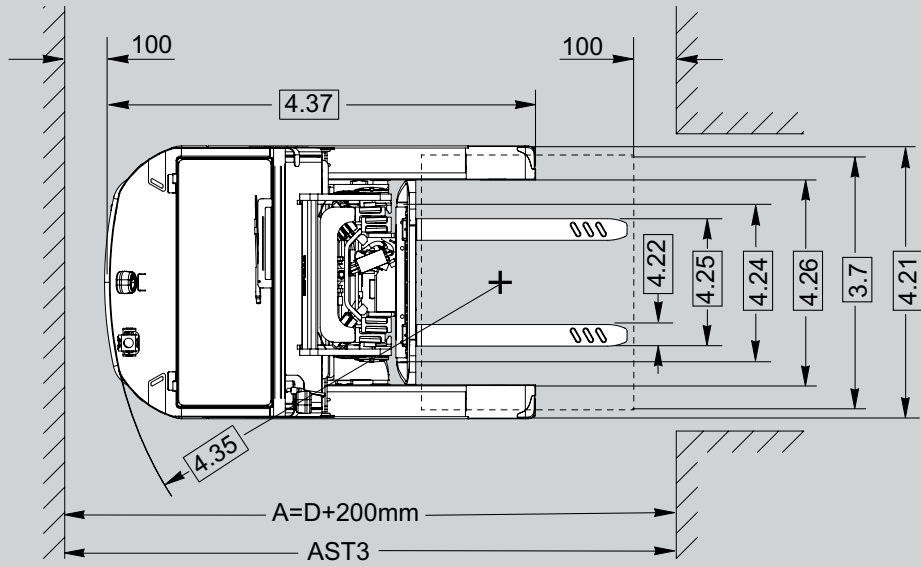


Table 1 Battery

	Battery Type		DIN C				DIN B				Length	Height
			Option 1	Option 2	Option 3	Option 4	Option 5	Option 6	Option 7	Option 8		
6.4	Battery Capacity	Ah	420-465	560-620	700-775	840-930	280-310	420-465	560-620	700-775		
6.5	Battery Weight min.-max.	kg	713-838	892-1056	1063-1258	1241-1467	542-621	709-816	890-1027	1063-1202		
6.3	Battery Box Size		Width				Width					
	ESR 1220 -1.4	mm	-	-	-	-	263	353	443	-	1035	784
	ESR 1220 -1.6	mm	-	-	-	-	-	353	443	533		
	ESR 1240 -1.4	mm	283	355	427	-	-	-	-	-	1223	784
	ESR 1240 -1.6	mm	283	355	427	499	-	-	-	-		
	ESR 1240 -2.0	mm	-	355	427	499	-	-	-	-		
	ESR 1260 -1.4	mm	283	355	427	-	-	-	-	-		
	ESR 1260 -1.6	mm	283	355	427	499	-	-	-	-		
	ESR 1260 -2.0	mm	-	355	427	499	-	-	-	-		

Table 2 Chassis Frame

		ESR 1220 ESR 1240 ESR 1260		Standard	Standard	Option	Option	Option
					Standard	Option	Option	Option
					Standard	Option	Option	Option
3.7	Tread rear	b11	mm	985	1177	1146	1317	1476
4.21	Overall width rear – chassis bottom	b1	mm	1120	1285*	1285*	1425*	1575*
	Overall width rear – chassis middle section	b1	mm	1108	1269	1269	1269	1269
4.24	Fork Carriage	b3	mm	750	750	750	750	980
4.25	Fork Spread	b5	mm	695	695	695	695	925
4.26	Inside Straddle Dimension	b4	mm	905	965	1070	1105	1255
	Sideshift movement	left / right	mm	50	70	70	70	100

* Load Wheel Protection: add 20 mm

Table 3 Axle Load

					without load			with load		
			Fork		front	rear	total	front	rear	total
ESR 1220-1.4 with battery option 5	7525 TT	2.4	advanced	kg	1558	1442	3000	783	3617	4400
		2.5	retracted	kg	1882	1118		1626	2774	
ESR 1240-1.4 with battery option 1	7525 TT	2.4	advanced	kg	1536	1664	3200	730	3870	4600
		2.5	retracted	kg	1930	1270		1596	3004	
ESR 1240-2.0 with battery option 3	9175 TT	2.4	advanced	kg	2150	2373	4523	1042	5481	6523
		2.5	retracted	kg	2660	1863		2043	4480	
ESR 1260-1.4 with battery option 1	6100 TT	2.4	advanced	kg	1607	1796	3403	807	3996	4803
		2.5	retracted	kg	2164	1239		1941	2862	
ESR 1260-1.6 with battery option 3	7825 TT	2.4	advanced	kg	1890	2103	3993	1037	4556	5593
		2.5	retracted	kg	2437	1556		2174	3419	
ESR 1260-2.0 with battery option 3	9175 TT	2.4	advanced	kg	2150	2373	4523	1042	5481	6523
		2.5	retracted	kg	2660	1863		2043	4480	

front = drive wheel rear = load wheels

Table 4 Mast Chart ESR 1200 Tilting Carriage (*Xpress Lower)

Mast TT		4.4	4.2	4.3	4.5	ESR 1220-1.4	ESR 1240-1.4	ESR 1240-1.6	ESR 1240-2.0	
		Lift Height h ₃	Collapsed h ₁	Free-lift h ₂	Extended h ₄	ESR 1220-1.6	ESR 1260-1.4	ESR 1260-1.6	ESR 1260-2.0	
4-Roller Tilting Carriage	Heavy Duty	mm	4450	2025	1350	5025	●	●	●	–
		mm	4675	2100	1425	5250	●	●	●	–
		mm	5425	2350	1675	6000	●	●	●	–
		mm	5875	2500	1825	6450	●	●	●	–
		mm	6700	2775	2100	7275	●	●	●	–
		mm	6925	2850	2175	7500	●	●	●	–
		mm	7225	2950	2275	7800	●	●	●	–
		mm	7525	3050	2375	8100	●	●	●	–
		mm	7825	3150	2475	8400	●	●	●	–
		mm	8425	3350	2675	9000	④	①	①	–
		mm	8950	3525	2850	9525	④	①	①	–
		mm	9175	3600	2925	9750	④	①	①	–
		mm	9475	3700	3025	10050	–	①	①	–
		mm	9700	3775	3100	10275	–	①	①	–
		mm	10225	3950	3275	10800	–	①	①	–
		mm	10675	4200	3525	11250	–	①	①	–
		mm	10825	4250	3575	11400	–	①	①	–
mm	11050	4325	3650	11625	–	①	①	–		
6-Roller Tilting Carriage	Super Duty	mm	10830	4250	3580	11455	–	–	①	–
		mm	11055	4325	3655	11680	–	–	①	–
		mm	11430	4450	3780	12055	–	–	①	–
		mm	12030	4650	3980	12655	–	–	①	–
	Heavy Duty	mm	4155	2025	1355	4780	–	–	–	①
		mm	4680	2200	1530	5305	–	–	–	①
		mm	5430	2450	1780	6055	–	–	–	①
		mm	5880	2600	1930	6505	–	–	–	①
		mm	6405	2775	2105	7030	–	–	–	①
		mm	6930	2950	2280	7555	–	–	–	①
		mm	7230	3050	2380	7855	–	–	–	①
		mm	7830	3250	2580	8455	–	–	–	①
		mm	8355	3425	2755	8980	–	–	–	①
		mm	8955	3625	2955	9580	–	–	–	①
	mm	9180	3700	3030	9805	–	–	–	①	
	Super Duty	mm	9705	3875	3205	10330	–	–	–	①
		mm	9930	3950	3280	10555	–	–	–	①
		mm	10680	4200	3530	11305	–	–	–	①
		mm	10830	4250	3580	11455	–	–	–	①
		mm	11430	4450	3780	12055	–	–	–	①
		mm	12030	4650	3980	12655	–	–	–	②
	Super Duty +	mm	9955	4425	3755	10580	–	–	–	②
		mm	10705	4675	4005	11330	–	–	–	②
mm		11455	4925	4255	12080	–	–	–	②	
mm		12055	5125	4455	12680	–	–	–	②	
mm		12430	5250	4580	13055	–	–	–	②	
mm		12655	5325	4655	13280	–	–	–	②	
mm		13030	5450	4780	13655	–	–	–	②	
mm		13555	5625	4955	14180	–	–	–	② ③	
mm	14205	6075	5405	14830	–	–	–	② ③		

* ESR 1260 Xpress Lower collapsed h1 & free-lift h2 add 75 ± 5 mm and extd h4 add max. 25 mm (4-Roller Tilting Carriage) or 75 mm (6-Roller Tilting Carriage)

- = available
- ① = option 1 battery type not available
- ② = option 1 battery type and option 2 battery type not available
- ③ = Xpress Lower not available, chassis width 1425 mm recommended
- ④ = option 5 battery type not available

Table 5 Mast Chart ESR 1220 / ESR 1240 Tilting Mast

Mast			4.4 Lift Height	4.2 Collapsed	4.3 Free-lift	4.5 Extended	4.1 Tilt of Mast				
							ESR 1220-1.4 ESR 1240-1.4		ESR 1220-1.6 ESR 1240-1.6		
							h ₃	h ₁	h ₂	h ₄	Forward
Tilting Mast	Standard Duty	TL	mm	2760	1990	100	3305	2°	4°	0,5°	3°
			mm	3070	2150		3620				
			mm	3490	2360		4045				
			mm	3810	2520		4360				
			mm	4080	2650		4630				
			mm	4480	2850		5030				
			mm	4710	2970		5260				
			mm	4950	3090		5500				
			mm	5250	3240		5800				
	TT	mm	4210	1935	1415*	4740	1°	3°	0,5°	3°	
		mm	4680	2090	1570*	5210					
		mm	5315	2305	1785*	5850					
		mm	5790	2465	1945*	6325					
		mm	6190	2595	2075*	6725					
		mm	6795	2795	2275*	7320					
		mm	7140	2915	2395*	7675					
		mm	7500	3030	2515*	8035					
		mm	7700	3235	2710*	8235					

* Free-lift h₂ with sideshift: -100 mm Extended height h₄ with sideshift: +15 mm

Table 6 Aisle Width ESR 1220

Pallet Size		ESR 1220		1.8a		4.20		4.28		4.34		Integrated Sideshift 1.4	Triplex Mast TT	
Pallet	Length x Width	Capacity	Battery Size DIN 43531B	Mast	Load Distance		Head Length		Reach		Aisle Width			Add dimension
	mm	Ah		Type	1.4	1.6	1.4	1.6	1.4	1.6	1.4	1.6	mm	mm
Euro	800 x 1200	280 - 310	Option 5	TL	472	-	1166	-	674	-	2522	-	17	14
		420 - 465	Option 6	TL	387	482	1251	1251	589	684	2567	2612		
		560 - 620	Option 7	TL	297	392	1341	1341	499	594	2621	2659		
		700 - 775	Option 8	TL	-	302	-	1431	-	504	-	2713		
Euro	1200 x 800	280 - 310	Option 5	TL	472	-	1166	-	674	-	2669	-	26	22
		420 - 465	Option 6	TL	387	482	1251	1251	589	684	2745	2755		
		560 - 620	Option 7	TL	297	392	1341	1341	499	594	2826	2835		
		700 - 775	Option 8	TL	-	302	-	1431	-	504	-	2917		
BSI	1000 x 1200	280 - 310	Option 5	TL	472	-	1166	-	674	-	2638	-	21	17
		420 - 465	Option 6	TL	387	482	1251	1251	589	684	2696	2726		
		560 - 620	Option 7	TL	297	392	1341	1341	499	594	2763	2788		
		700 - 775	Option 8	TL	-	302	-	1431	-	504	-	2854		
BSI	1200 x 1000	280 - 310	Option 5	TL	472	-	1166	-	674	-	2722	-	25	21
		420 - 465	Option 6	TL	387	482	1251	1251	589	684	2793	2808		
		560 - 620	Option 7	TL	297	392	1341	1341	499	594	2871	2884		
		700 - 775	Option 8	TL	-	302	-	1431	-	504	-	2961		
Australian	1165 x 1165	280 - 310	Option 5	TL	472	-	1166	-	674	-	2744	-	23	19
		420 - 465	Option 6	TL	387	482	1251	1251	589	684	2810	2831		
		560 - 620	Option 7	TL	297	392	1341	1341	499	594	2884	2901		
		700 - 775	Option 8	TL	-	302	-	1431	-	504	-	2975		
Asian	1200 x 1200	280 - 310	Option 5	TL	472	-	1166	-	674	-	2782	-	23	19
		420 - 465	Option 6	TL	387	482	1251	1251	589	684	2849	2869		
		560 - 620	Option 7	TL	297	392	1341	1341	499	594	2923	2940		
		700 - 775	Option 8	TL	-	302	-	1431	-	504	-	3013		
GMA 40" x 48"	1219 x 1016	280 - 310	Option 5	TL	472	-	1166	-	674	-	2742	-	25	21
		420 - 465	Option 6	TL	387	482	1251	1251	589	684	2813	2829		
		560 - 620	Option 7	TL	297	392	1341	1341	499	594	2891	2904		
		700 - 775	Option 8	TL	-	302	-	1431	-	504	-	2982		

Table 7 Aisle Width ESR 1240 Tilting Mast

Pallet Size		ESR 1240			1.8a		4.20	4.28		4.34			
		Truck Configuration		Mast	Load Distance		Head Length	Reach		Aisle Width		Add dimension	
Pallet	Length x Width	Capacity	Battery Size DIN 43531C		Type	X1		L2	L4		AST3		Integrated Sideshift 1.4
	mm	Ah		1.4		1.6	1.4/1.6	1.4	1.6	1.4	1.6	1.4	
Euro	800 x 1200	420 - 465	Option 1	TL	452	547	1186	639	734	2539	2591	16	12
		560 - 620	Option 2	TL	385	480	1253	572	667	2575	2620		
		700 - 775	Option 3	TL	315	410	1323	503	598	2617	2656		
Euro	1200 x 800	420 - 465	Option 1	TL	452	547	1186	639	734	2694	2706	26	21
		560 - 620	Option 2	TL	385	480	1253	572	667	2753	2764		
		700 - 775	Option 3	TL	315	410	1323	503	598	2816	2825		
BSI	1000 x 1200	420 - 465	Option 1	TL	452	547	1186	639	734	2658	2692	20	16
		560 - 620	Option 2	TL	385	480	1253	572	667	2705	2734		
		700 - 775	Option 3	TL	315	410	1323	503	598	2756	2781		
BSI	1200 x 1000	420 - 465	Option 1	TL	452	547	1186	639	734	2745	2763	24	20
		560 - 620	Option 2	TL	385	480	1253	572	667	2802	2817		
		700 - 775	Option 3	TL	315	410	1323	503	598	2861	2875		
Australian	1165 x 1165	420 - 465	Option 1	TL	452	547	1186	639	734	2766	2790	23	19
		560 - 620	Option 2	TL	385	480	1253	572	667	2819	2840		
		700 - 775	Option 3	TL	315	410	1323	503	598	2875	2894		
Asian	1200 x 1200	420 - 465	Option 1	TL	452	547	1186	639	734	2804	2827	23	19
		560 - 620	Option 2	TL	385	480	1253	572	667	2857	2878		
		700 - 775	Option 3	TL	315	410	1323	503	598	2914	2932		
GMA 40" x 48"	1219 x 1016	420 - 465	Option 1	TL	452	547	1186	639	734	2765	2783	24	20
		560 - 620	Option 2	TL	385	480	1253	572	667	2822	2837		
		700 - 775	Option 3	TL	315	410	1323	503	598	2882	2895		

Table 8 Aisle Width ESR 1240 / ESR 1260 Tilting Carriage

Pallet Size		ESR 1240 / 1260		1.8a			4.20			4.28			4.34		
		Truck Configuration		Load Distance			Head Length			Reach			Aisle Width		
Pallet	Length x Width	Capacity	Battery Size DIN 43531C	X1			L2			L4			AST3*		
	mm	Ah		1.4	1.6	2.0	1.4	1.6	2.0	1.4	1.6	2.0	1.4	1.6	2.0
Euro	800 x 1200	420 - 465	Option 1	357	445	-	1281	1288	-	544	662	-	2591	2631	-
		560 - 620	Option 2	300	388	388	1338	1345	1345	487	605	605	2626	2662	2662
		700 - 775	Option 3	228	316	316	1410	1417	1417	415	533	533	2674	2705	2705
		840 - 930	Option 4	-	244	244	-	1489	1489	-	461	461	-	2752	2752
Euro	1200 x 800	420 - 465	Option 1	357	445	-	1281	1288	-	544	662	-	2778	2788	-
		560 - 620	Option 2	300	388	388	1338	1345	1345	487	605	605	2830	2839	2839
		700 - 775	Option 3	228	316	316	1410	1417	1417	415	533	533	2896	2904	2904
		840 - 930	Option 4	-	244	244	-	1489	1489	-	461	461	-	2970	2970
BSI	1000 x 1200	420 - 465	Option 1	357	445	-	1281	1288	-	544	662	-	2724	2751	-
		560 - 620	Option 2	300	388	388	1338	1345	1345	487	605	605	2767	2791	2791
		700 - 775	Option 3	228	316	316	1410	1417	1417	415	533	533	2823	2844	2844
		840 - 930	Option 4	-	244	244	-	1489	1489	-	461	461	-	2899	2899
BSI	1200 x 1000	420 - 465	Option 1	357	445	-	1281	1288	-	544	662	-	2825	2840	-
		560 - 620	Option 2	300	388	388	1338	1345	1345	487	605	605	2875	2888	2888
		700 - 775	Option 3	228	316	316	1410	1417	1417	415	533	533	2938	2950	2950
		840 - 930	Option 4	-	244	244	-	1489	1489	-	461	461	-	3013	3013
Australian	1165 x 1165	420 - 465	Option 1	357	445	-	1281	1288	-	544	662	-	2841	2860	-
		560 - 620	Option 2	300	388	388	1338	1345	1345	487	605	605	2888	2905	2905
		700 - 775	Option 3	228	316	316	1410	1417	1417	415	533	533	2948	2964	2964
		840 - 930	Option 4	-	244	244	-	1489	1489	-	461	461	-	3024	3024
Asian	1200 x 1200	420 - 465	Option 1	357	445	-	1281	1288	-	544	662	-	2880	2898	-
		560 - 620	Option 2	300	388	388	1338	1345	1345	487	605	605	2927	2944	2944
		700 - 775	Option 3	228	316	316	1410	1417	1417	415	533	533	2927	3002	3002
		840 - 930	Option 4	-	244	244	-	1489	1489	-	461	461	-	3063	3063
GMA 40" x 48"	1219 x 1016	420 - 465	Option 1	357	445	-	1281	1288	-	544	662	-	2845	2860	-
		560 - 620	Option 2	300	388	388	1338	1345	1345	487	605	605	2895	2908	2908
		700 - 775	Option 3	228	316	316	1410	1417	1417	415	533	533	2959	2970	2970
		840 - 930	Option 4	-	244	244	-	1489	1489	-	461	461	-	3033	3033

* Freezer Cabin: add 100 mm

Standard ● / Optional ○	ESR 1220	ESR 1240	ESR 1260
Truck Features			
1120 mm overall width	●		
1285 mm overall width		●	●
1425 mm overall width		⑦	○
1575 mm overall width		⑦	○
1400 kg load capacity at 600 mm load centre	●	●	●
1600 kg load capacity at 600 mm load centre	●	●	●
2000 kg load capacity at 600 mm load centre		●	●
Mast			
Heavy Duty Mast with Tilting Fork Carriage	○	○	○
Super Duty Mast with Tilting Fork Carriage		○	○
Super Duty + Mast with Tilting Fork Carriage			○
Battery Compartment			
48 V 280-310 Ah	①		
48 V 420-465 Ah	○	②	②
48 V 560-620 Ah	○	○	○
48 V 700-775 Ah	③	○	○
48 V 840-930 Ah		④	④
Battery rollers for horizontal extraction	○	○	○
DIN 160 Rema connector	●	●	●
SBE 160 connector blue	○	○	○
SB 350 connector blue	○	○	○
Lithium-Ion ready	○	○	○
Controls and Instruments			
Gena® operating system control	●	●	●
7" colour touch screen display with navigation keypad	●	●	●
Display control via C-Drive	○	○	○
Keyless start-up with PIN code	●	●	○
Keyless start-up with prox reader (HID)	○	○	●
Key switch	○	○	○
Travel/steer direction indicator	●	●	●
Real-time clock and date	●	●	●
Battery discharge indicator with lift lockout	●	●	●
Hour meters for various system functions	●	●	●
Fingertip hydraulic controls	●	●	●
Dual lever hydraulic controls	○	○	○
Multi-task hydraulic controls	○	○	○
Driving Features			
Speed reduction in turns	●	●	●
e-GEN® braking system	●	●	●
OnTrac™ anti-slip traction control	●	●	●
Load wheel brake system	⑤	⑤	●
Ramp hold automatic braking for slopes + push-back rack	●	●	●
Electro-mechanical parking brake	●	●	●
Selectable performance levels (F1, F2, P1, P2, P3)	●	●	●
360 Select™ steering system + indicator	●	●	●
Lifting Features			
Offset mast design	●	●	●
Tilting duplex mast (TL)	○	○	
Tilting triplex mast (TT)	○	○	
Integrated sideshift for tilting masts	○	○	
Triplex mast (TT) with tilting fork carriage and sideshift	○	○	●
Xpress Lower™ faster mast lowering speed incl. Regen Lower			○
Tilt and sideshift single activation	⑥	⑥	
Tilt Position Assist (TPA)	⑦	⑦	○
Lift height indicator	⑦	⑦	○
Load weight indicator	○	○	○
Free-lift indicator	●	●	●
Auto Height Select (AHS)	⑦	⑦	○
Capacity Data Monitor (CDM)	⑦	⑦	○
Sideshift Position Assist (SPA)	⑦	⑦	○
Lift speed reduction before maximum height	●	●	●
Travel speed reduction above 1000 mm lift height	○	○	○
Travel speed reduction above free-lift (6 km/h)	●	●	●
Travel speed reduction above free-lift (3 km/h)	○	○	○
No load on outrigger function + override switch	⑧	⑧	⑧
Retract limit and override switch	⑦	⑦	○
Five raise cutouts with override switch incl. zone select	⑦	⑦	○
Colour camera system (fork or mast mounted)	⑨	⑨	⑨
ISO class 2A fork carriage	●	●	●
Forktip indicators	●	●	●
Load backrest	○	○	○
Hydraulic Features			
4 th hydraulic function	○	○	●
5 th hydraulic function	⑦	⑦	○
6 th hydraulic function			⑭

Standard ● / Optional ○	ESR 1220	ESR 1240	ESR 1260
Operator Comfort			
Panoramic overhead guard			○
Patented high-visibility overhead guard		●	●
Plexiglass or mesh overhead guard cover	○	○	○
MSG 65 seat with adjustable lumbar support	○	○	●
FlexBack™ seat backrest (only with MSG 65 seat)		○	○
Suspension seat	●	●	●
Heated vinyl seat	○	○	○
Heated cloth seat	○	○	○
Air suspension seat (no heated version available)	○	○	○
Headrest	○	○	○
Controls mounted on armrest	●	●	●
Armrest adjustable back + forth	⑩	●	●
Tilttable armrest pad	○	○	○
Adjustable steering column with tools	●	●	○
Adjustable steering column without tools	○	○	●
Automotive-type accelerator and brake pedals	●	●	●
Multiple storage areas for tools	●	●	●
Low, wide entry step	●	●	●
Desktop with clipboard	○	○	●
Adjustable armrest	●	●	○
D4 armrest	⑪	⑪	●
Compartment-mounted armrest	●		
Seat-mounted armrest (only with MSG 65 seat)		●	●
Tilttable display	○	○	●
Safety Features			
Operator presence pedal	●	⑮	⑮
Seat switch	●	●	●
Power disconnect switch	●	●	●
Safety reminders	●	●	●
Work lights (LED)	○	○	○
Flashing light (LED)	○	○	○
Floor spotlight/line light (blue or red)	○	○	○
Audible travel alarm	○	○	○
Rearview mirror	○	○	○
Laser guidance system	○	○	○
Maintenance Features			
Event code history	●	●	●
Built-in diagnostic system	●	●	●
InfoPoint™ maps	●	●	●
Brushless AC motors	●	●	●
Swing-out seat deck for easy access	●	●	●
Connect Ready	⑫	⑫	●
InfoLink® fleet management system, integrated	⑫	⑫	●
Work Assist® Accessoires			
Clipboard	○	○	○
Scan-gun holder	○	○	○
Adjustable arm for WMS monitor	○	○	○
12, 24 or 48V power supply	○	○	○
Reading light	○	○	○
Trash bin		⑦	○
Beverage holder	○	○	○
Storage pocket	○	○	○
USB-Port	○	○	○
Special Applications			
Drive-in rack overhead guard	○	○	○
Aisle guide rollers	○	○	○
Coldstore condition to -30°C	○	○	○
Coldstore cabin with environmental control		○	○
Narrow outriggers (1070 mm inside)		⑬	⑬
Load wheel protection		○	○

① Available on ESR 1220-1.4

② Not with Coldstore Cabin

③ Available on ESR 1220-1.6

④ 1600 and 2000 kg only

⑤ Depending on mast, capacity and travel speed

⑥ For tilting mast

⑦ Not applicable for tilting mast

⑧ Stops forks above outriggers if mast is retracted

⑨ Camera system not for tilting mast / mast camera only > = 6100 mm

⑩ ESR 1220 armrest fixed

⑪ Mandatory for AHS, 5th hydraulic function, heated seat, override button

⑫ Deduct possible

⑬ All 1400/1600 kg lift heights incl. SD-mast, not with 420-465 Ah battery

⑭ Not available with Xpress Lower™

⑮ Not for freezer cabin

Operator Compartment and Controls

A comfortable low, wide step speeds entry. Non-slip floor mat ensures smooth and safe entry/exit. Once seated, the operator position can be adjusted to suit small and large operators.

A 17,8 cm (7") colour touchscreen delivers real-time information on the truck's operating status. Thirteen selectable widgets allow the operator to customise the display.

The travel direction switch, accessory controls, Auto Height Select and all hydraulic functions are at the operator's fingertip. Operators can manoeuvre the truck while blending lift and attachment functions to increase productivity.

The ergonomic armrest is wide and soft with fore and aft adjustment. There are five easily accessible storage compartments and an optional on-board USB-Port for charging mobile devices.

Gena® operating system

Crown's next-generation truck operating system with integrated InfoLink® provides optimum performance and makes vital information easy to see, understand and use for operators and technicians. It is an enhanced real-time truck management experience that gives you data-rich user experience and provides unmatched truck control for all primary truck systems:

- Traction motor control
- Hydraulic valve and motor control
- Steer & brake motor control
- Programmable performance profiles
- Personalised information/ advanced diagnostic display/ operator messaging
- Safety checklists and Dynamic Coaching

The Gena user experience is designed to let operators easily adapt the display for the specific task at hand. Screens also offer context-sensitive help including alerts, automated assistance, dynamic data and coaching.

The Crown display is used for easy troubleshooting, accessing service history and setting performance features. No handset or laptop required – all functions are on-board and easy to use.

Productivity Features

Speed up your productivity with optional Xpress Lower™ and super duty mast. This exclusive technology lets you double lowering speeds, resulting in substantial savings in time and money.

Auto Height Select with one-touch control provides precise load stop at programmed rack heights. Tilt Position Assist with mast deflection compensation ensures the forks are level to the ground, regardless of load weight. Capacity Data Monitor provides visual indication and warning when limits are reached. Mast reach/retract speed adjusts depending on lift height and load, for more confident handling.

Traction Control

OnTrac™ anti-slip traction control monitors truck dynamics, optimises tractive effort, reduces spinning during acceleration, prevents lock-up during braking, and can extend tyre life. It increases traction performance in wet, dusty or freezer conditions.

Travel

Crown's AC traction system is a closed loop traction control system that maintains top speed throughout the battery charge. Engineered and manufactured by Crown, the AC motor, controller and drive unit are designed specifically for lift truck applications.

Crown's intelligent speed reduction in turns recognises whether the operator is driving into or out of a curve, with the system analysing steer tyre angle, driving direction and steering direction. It then automatically adjusts speed and acceleration for maximum safe performance. Ramp hold is an automatic braking function for slopes and push-back racks.

Hydraulic System

The control system for the hydraulic pump motor and proportional valves facilitates precise and sensitive execution of all hydraulic functions. All hydraulic parameters such as lift, lower, tilt, side shift, and reach speeds are fully adjustable and can therefore be adapted to different applications.

Moving Mast

Crown's unique offset, wide view mast delivers excellent visibility at height as well as for low-level operations. Mast cross-bracing and overhead guard bracing have been angled, and hose and chain rollers have been canted to further enhance visibility.

The ESR 1220 and ESR 1240 feature a range of duplex and triplex masts with limited or full free lift. Tilting masts can compensate for uneven floors, common in wet and outdoor applications.

The ESR 1240 and ESR 1260 feature heavy and super duty triplex masts with full free lift, integrated side shift and tilting fork carriage. Mast channels are reinforced to minimise static and dynamic deflection when storing heavy loads at tall lift heights.

Drive unit

A highly efficient drive unit with Rheintacho tachometer, helical gear, integrated pinion and vertically mounted 3-phase (AC) noise reduced traction motor provides silent, powerful traction performance. The large Vulkollan™ drive wheel offers high load capacity, long life, and excellent travel comfort.

Steering

360 Select™ control system allows the operator to choose between 180° and 360° steer tyre rotation to match driving conditions, experience level or personal preference. The system can be locked in either mode with password-protected access.

Braking

A disc brake on the motor armature shaft combined with motor regenerative e-GEN braking provides sure braking with fewer parts and maintenance requirements.

A foot pedal applies the service brake. The truck can also be brought to a stop by reversing the travel direction using the electric regenerative plugging function.

The parking brake is activated automatically when the truck comes to a stop. Once the operator has the feet on both pedals and selected the travel direction, the parking brake will automatically be released.

Motors

The Crown manufactured 3-phase (AC) motors deliver high torque and seamless reversal. Traction and hydraulic motors are oversized for superior thermal capability and are especially suitable for high lift heights, high loads and high ambient temperature applications.

Safety Regulations

Conforms to European safety standards. Dimensions and performance data given may vary due to manufacturing tolerances. Performance is based on an average size vehicle and is affected by weight, condition of truck, how it is equipped and the conditions of the on-site operating area. Crown products and specifications are subject to change without notice.

Data Communication

The truck is fitted with a wireless data communications system that electronically collects truck and usage data (in particular hours of operation, battery charge level, status of certain parts that are subject to wear and tear, impacts etc.) and automatically transmits such data to Crown for service and maintenance purposes as well as for statistical analysis (deduct possible for ESR 1220 and ESR 1240). Dealers have to inform their customers respectively.